

**Catalog Number • Numéro de Catalogue • Número de Catálogo: LMRC-CA2**

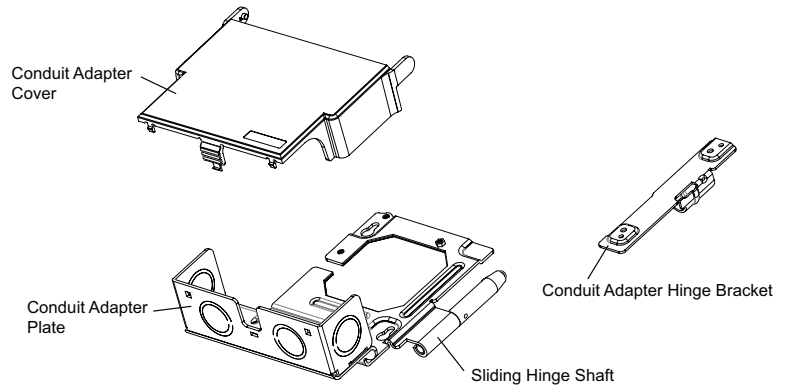
Country of Origin: Made in China • Pays d'origine: Fabriqué en Chine • País de origen: Hecho en China

## DESCRIPTION

The LMRC-CA2 assembly provides protection and conduit connection points for the low-voltage area of the LMRC-22x room controller. It is designed for applications where code or the local AHJ requires that low-voltage wiring such as DLM Local Network cables, control and communication wiring be run inside conduit. The conduit adapter plate is compatible with 4" square and 4 11/16" square junction boxes.

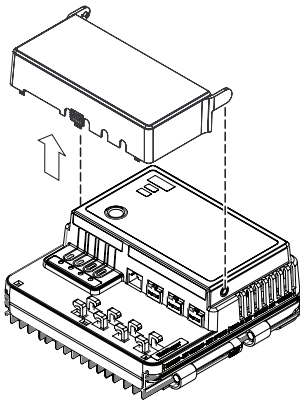
**ATTENTION:** This conduit adapter is provided with an earthing conductor. Proper grounding of this conduit adapter shall be in accordance with all applicable regulations, local and NEC codes.

For complete installation and operation of the room controller, see the instructions provided with the unit.

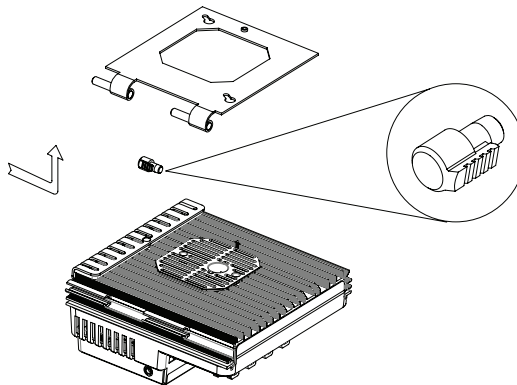


## ASSEMBLY FOR LMRC-22X

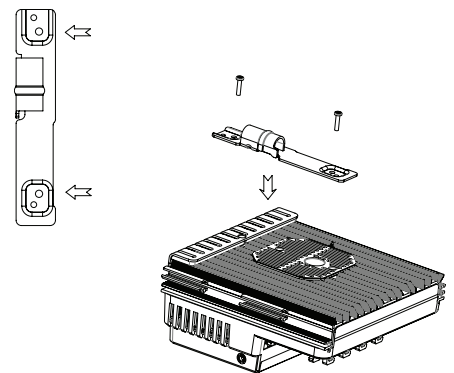
- 1** Remove existing LMRC cover.



- 2** Remove mounting plate from LMRC-22X unit.



- 3** Install conduit adapter hinge bracket. Use hole location as shown.



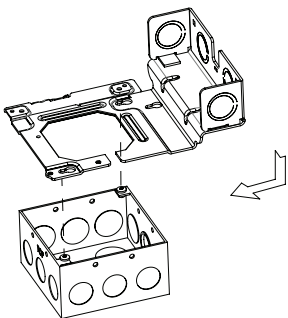
## MOUNTING AND WIRING



**WARNING: TURN THE POWER OFF AT THE CIRCUIT BREAKER BEFORE WIRING.**

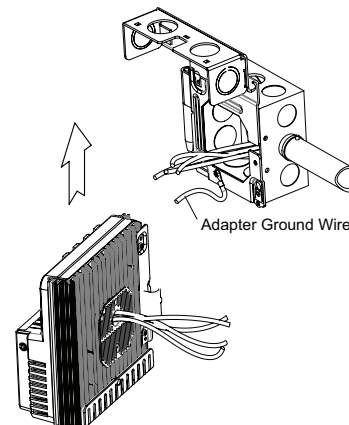


- 1** Attach conduit adapter to J-box as shown.

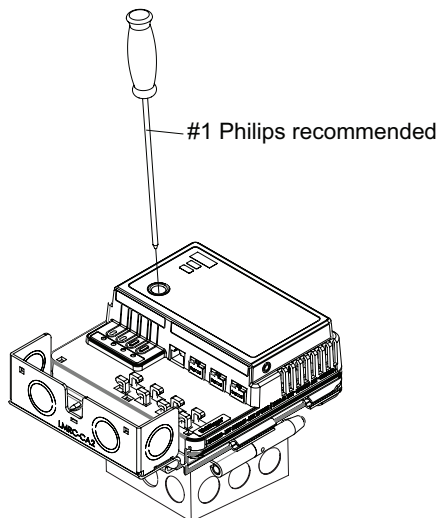


- 2** Attach unit to conduit adapter.

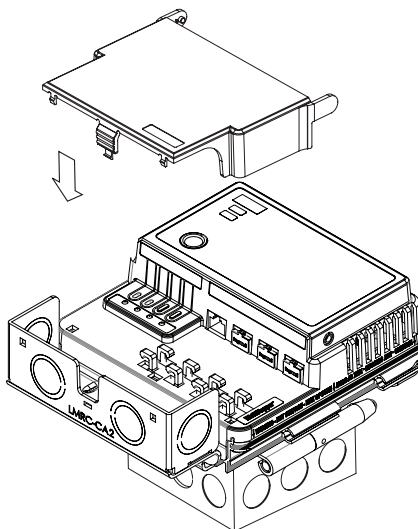
- Connect wires following the wiring diagram for your specific device.
- Ensure the conduit adapter is properly grounded using attached ground wire.



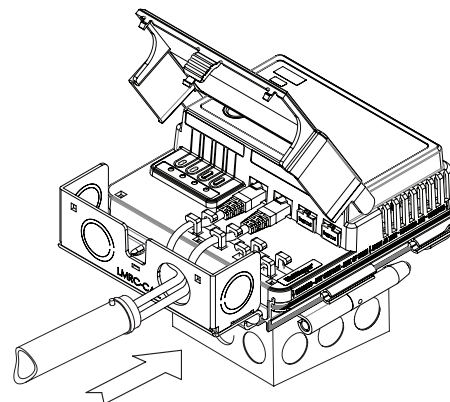
**3** Secure unit to conduit adapter.



**4** Attach and click on conduit adapter cover.



**5** Attach conduit tubing where needed by using the provided knockouts. Connect LMRJ cables.



#### WARRANTY INFORMATION

Wattstopper warrants its products to be free of defects in materials and workmanship for a period of five (5) years. There are no obligations or liabilities on the part of Wattstopper for consequential damages arising out of, or in connection with, the use or performance of this product or other indirect damages with respect to loss of property, revenue or profit, or cost of removal, installation or reinstallation.

#### INFORMATIONS RELATIVES À LA GARANTIE

Wattstopper garantit que ses produits sont exempts de défauts de matériaux et de fabrication pour une période de cinq (5) ans. Wattstopper ne peut être tenu responsable de tout dommage consécutif causé par ou lié à l'utilisation ou à la performance de ce produit ou tout autre dommage indirect lié à la perte de propriété, de revenus, ou de profits, ou aux coûts d'enlèvement, d'installation ou de réinstallation.

#### INFORMACIÓN DE LA GARANTÍA

Wattstopper garantiza que sus productos están libres de defectos en materiales y mano de obra por un período de cinco (5) años. No existen obligaciones ni responsabilidades por parte de Wattstopper por daños consecuentes que se deriven o estén relacionados con el uso o el rendimiento de este producto u otros daños indirectos con respecto a la pérdida de propiedad, renta o ganancias, o al costo de extracción, instalación o reinstalación.