

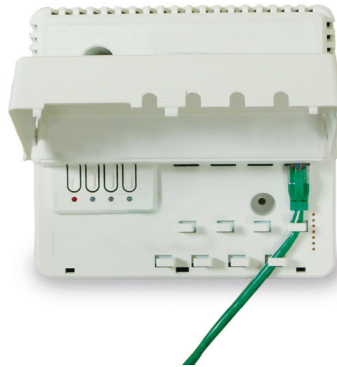
PLUG LOAD CONTROLLER

LMPL-201

Plenum-rated controller with line voltage relay and switching power supply

Component of Digital Lighting Management integrated control systems

Plugs to other components using Cat 5e cable and RJ45 connectors eliminating wiring errors



Plug n' Go automatic configuration and Push n' Learn for personalization

Integral current monitoring of total connected load.

Accepts occupancy sensor signal for energy saving control of plug loads



DESCRIPTION

LMPL-201 Plug Load Controllers include a 20 amp relay for on/off control of connected outlets, and a high-efficiency switching power supply. They are part of a Wattstopper Digital Lighting Management (DLM) system, and enable energy-efficient control of plug loads.

OPERATION

LMPL-201 Plug Load Controllers operate on 120 volts and provide Class 2 power to sensors and switches via the DLM local network. Once powered up, Plug n' Go automatically configures system components for the most energy-efficient operation. The plug load controllers then switch controlled outlets on and off in response to input from any communicating occupancy sensors. The DLM system may be reconfigured using Push n' Learn without the need for tools or a PC. Additionally, the LMCT-100-2 wireless configuration tool can be used for load configuration.

PLUG N' GO & PUSH N' LEARN CONFIGURATION

Plug n' Go automatic configuration establishes system functionality based on the installed components. Plug Load Controllers are initially controlled by all of the occupancy sensors on the DLM local network, and default to automatic on/off operation whether or not there is a switch on the local network. DLM system operation may be reconfigured using Push n' Learn. As an example, a selected switch button may be bound to a plug load controller for manual-off control of outlets. Similarly, the plug load controller could be bound only to selected occupancy sensors.

APPLICATIONS

LMPL-201 Plug Load Controllers should be installed to switch outlets used for task lighting and non-essential equipment in private offices, open offices, lunch rooms and break rooms and other areas in commercial buildings. They are appropriate for LEED projects and help building owners realize a higher return on investment on energy code-required occupancy sensors. They also help facility managers who want to track building power usage. A network bridge (LMBC-300) is required to expose DLM local network power data readings to a Segment Manager or BAS.

FEATURES

- Plug n' Go™ automatic configuration for quick installation and maximum energy savings
- Push n' Learn™ functionality for personalization without the need for tools or a PC
- Digital Lighting Management components plug together on a free-topology Cat 5e DLM local network
- Load On/Off local override button
- LED indicates status of connected load
- Integral current monitoring of connected load
- 4 RJ45 ports with integral strain relief and hinged dust cover
- Zero-crossing circuitry for reliability and increased product life
- UL2043 plenum rated
- Ships with "Sensor Controlled" labels for connected outlets
- The product meets the materials restrictions of RoHS

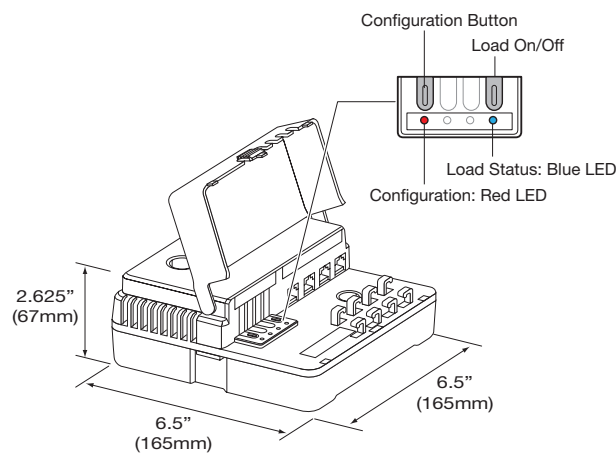
PROJECT	LOCATION/ TYPE

SPECIFICATIONS

- Input/output voltage: 120VAC, 50/60Hz
- Load ratings:
 - Ballast or incandescent: 20A
 - Motor load: 1Hp
- Class 2 output to DLM local network: 24VDC, 250mA across 4 RJ45 ports
- DLM local network parameters:
 - Maximum current: 800mA
 - Cat 5e cable: 150' per device to 1,000' max.
- Up to 48 communicating devices
- Up to 64 loads
- Maximum 4 LMPB-100, LMPL-101 or LMRC-100 Series Room Controllers
- Operating conditions: for indoor use only; 32-158°F (0-70°C); 5-95% RH, non-condensing
- UL (88T9) and cUL listed
- FCC part 15 compliant
- Five year warranty

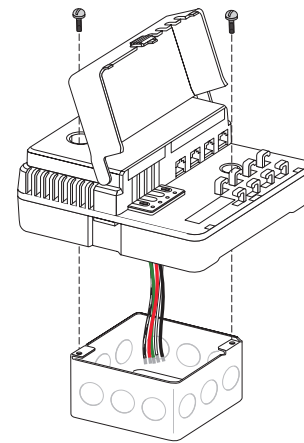
CONTROLS & MOUNTING

Controls and Dimensions

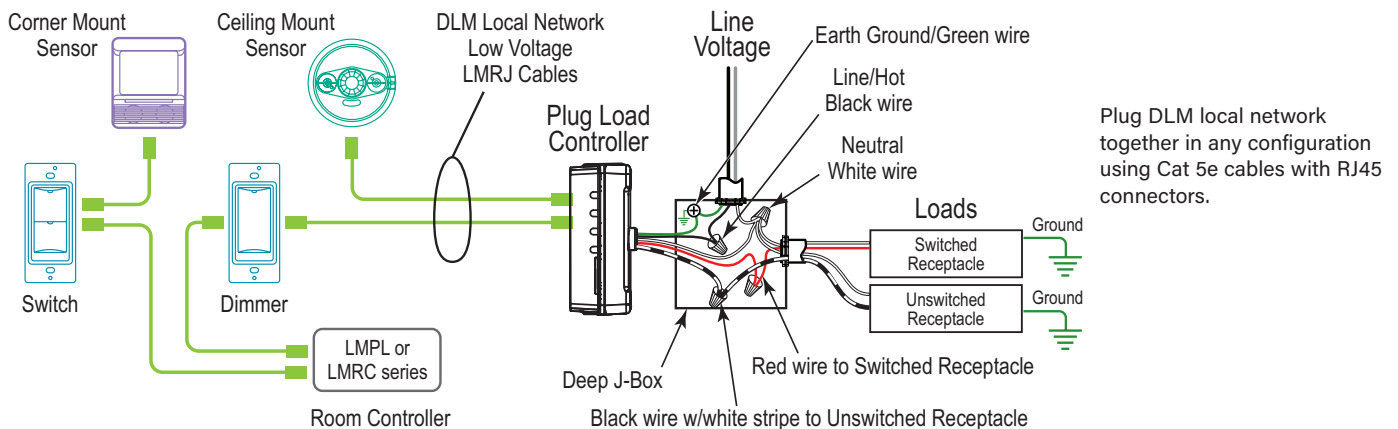


Mounting and Wiring

Mount to 4" x 4" x 2 1/8" deep electrical box.



CONNECTING



ORDERING INFORMATION

Catalog #	Description	Single Phase Voltage 50/60Hz	Load Rating			Class 2 Outputs
			Ballast	Incan	Motor	
LMPL-201	Plug Load Controller	120VAC; 50/60Hz	20A	20A	1 Hp	24 VDC; 250 mA
LMCT-100-2	Digital Wireless Configuration Tool					

27390r2 Rev 04/21