

TWO RELAY POWER PACKS

C120E-P AND C277E-P

Secondary voltage of 24 VDC



Two Relay power pack housed in 4" metal junction box

DESCRIPTION

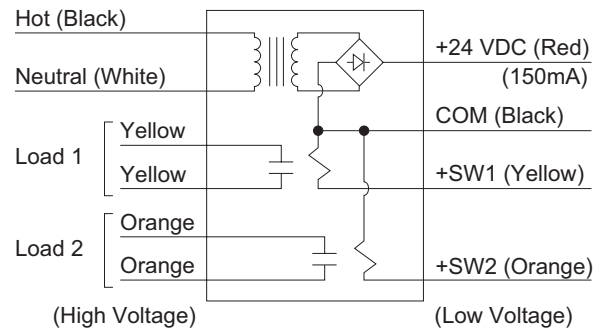
WattStopper has several power packs and power supplies that fill the needs of a variety of special applications. These products help to make lighting control installations more cost efficient and flexible.

The WattStopper C-Series power packs contain two isolated relays. These power packs can be used where two circuits need to be controlled at the same point. They provide a convenient alternative to using two power packs thus reducing installation time and costs. They are also useful where installation space is limited.

SPECIFICATIONS

- Up to 150 mA of 24 VDC power before relays are connected; 114 mA after single relay is connected, 78 mA when both relays are connected
- Secondary voltage of 24 VDC
- Housed in 4" metal junction box

WIRING



ORDERING INFORMATION

Catalog #	Description	Input Voltage	Ballast (A)	Incan (A)	Motor (HP)	Output
<input type="checkbox"/> C120E-P	Two Relay Power Pack	120VAC, 60Hz	20**	13**	1**	24 VDC; 150 mA*
<input type="checkbox"/> C277E-P	Two Relay Power Pack	120VAC, 60Hz	20**	-	-	24 VDC; 150 mA*

*Contains an isolated relay with normally open (NO) and normally closed (NC) contacts.

**Rating per relay.

Output shown is before relay connection

28930r1 Rev 08/2021

PROJECT		LOCATION/ TYPE	
---------	--	-------------------	--