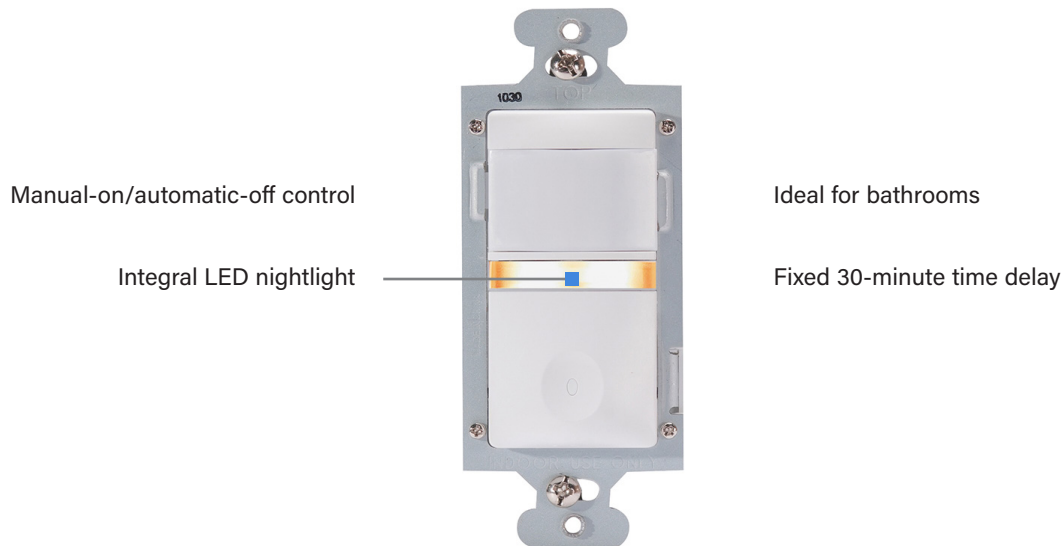


PIR WALL SWITCH VACANCY SENSOR WITH NIGHTLIGHT

RS-150BA-N



DESCRIPTION

The RS-150BA-N Passive Infrared (PIR) Vacancy Sensor provides automatic shutoff for single-pole lighting control applications. It is engineered to comply with specific provisions of California's Title 24-2013 energy code.

OPERATION

The RS-150BA-N operates as a manual-on sensor. Users must press the on/off pushbutton to turn on lighting. The RS-150BA-N employs PIR technology to sense the difference between the infrared energy from a person in motion and the background space. It keeps lighting on as long as motion is detected and provides automatic shutoff, following a 30-minute time delay, when motion is no longer detected. Users may turn the lighting off manually.

FEATURES

- Complies with 2011 NEC requirements
- Replaces single-pole switches
- Fixed 30-minute time delay; no adjustment necessary
- Amber LED nightlight illuminates whenever connected load is off
- Lighted switch for visibility in darkened rooms
- Low-profile styling
- Choice of five decorator colors; lens is color-matched to device
- Operates most common types of lighting or fan motors
- Relay-based switching
- No current leakage to load in off mode for safety
- Compatible with decorator wall plates
- CA Title 24 compliant

INTEGRAL NIGHTLIGHT

The integral nightlight helps preserve night vision by providing low-level illumination when the connected lighting is off. The nightlight uses energy-efficient LEDs.

APPLICATIONS

The RS-150BA-N PIR Vacancy Sensor requires no adjustment and is ideal for bathroom and bedroom applications where the switch location has an unobstructed line of sight of the room.

PROJECT

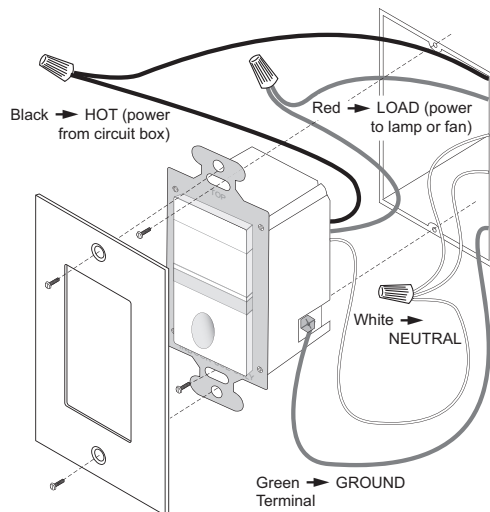
LOCATION/
TYPE

SPECIFICATIONS

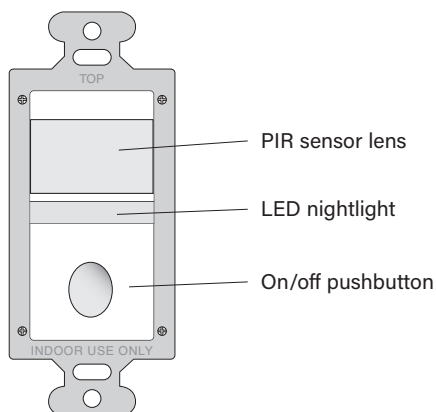
- 120 VAC, 60 Hz; neutral required
- Load ratings: 0-600W incandescent, LED, fluorescent, compact fluorescent (CFL), magnetic low voltage (MLV) or electronic low voltage (ELV) or 1/6 hp motor
- Fixed time delay: 30 minutes
- PIR coverage: 180°, 600 ft² (56 m²)
- 2.63" x 1.69" x 1.88" (67.8mm x 42.9mm x 47.8mm) L x W x D
- Operating conditions: 32-131°F (0-55°C), 95% RH, non-condensing; for indoor use only
- UL and cUL listed
- Five-year warranty

WIRING & CONTROLS

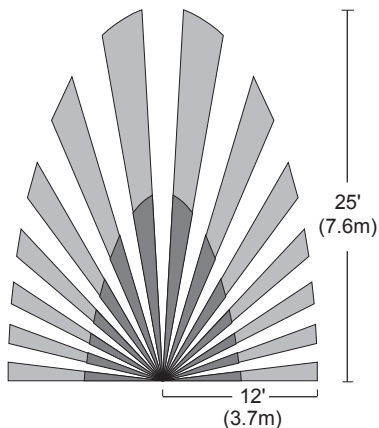
Wiring Diagram



Product Controls



COVERAGE



ORDERING INFORMATION

Catalog #	Color	Description	Voltage	Load Rating	Coverage
<input type="checkbox"/> RS-150BA-N-W	White	PIR Wall Switch Vacancy Sensor with Nightlight	120 VAC, 60 Hz	0-600W incandescent, LED, fluorescent, CFL, MLV, ELV lighting or 1/6 hp motor	180°, max. 600 ft ² (56m ²)
<input type="checkbox"/> RS-150BA-N-I	Ivory				
<input type="checkbox"/> RS-150BA-N-LA	Light Almond				
<input type="checkbox"/> RS-150BA-N-A	Almond				
<input type="checkbox"/> RS-150BA-N-B	Black				

Order wall plate separately.

31728r1 Rev 10/2021