



Wattstopper®

Multi-Way Wall Switch Convertible Occupancy Sensor

Détecteur de présence multivoies à interrupteur mural convertible

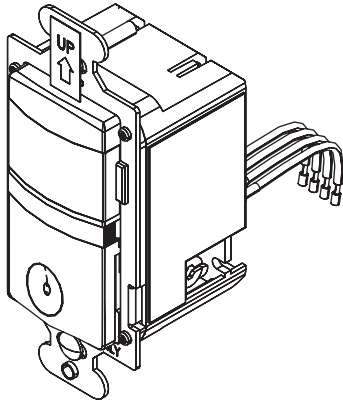
Sensor de Desocupación de pared configurable

Installation Instructions • Instructions d'Installation • Instrucciones de Instalación

No: 24261 – 09/16 rev. 1

Catalog Number • Numéro de Catalogue • Número de Catálogo: RH-250

Country of Origin: Made in China • Pays d'origine: Fabriqué en Chine • País de origen: Hecho en China



SPECIFICATIONS

Voltage	120VAC, 60Hz
Load (Multi-Way)	
Incandescent or fluorescent	0-600 Watts
Fan motor	1/6 hp
Time Delay Adjustment	15 sec., 5 min., 15 min., 30 min.
Light Level Adjustment	10 fc to 150 fc
Environment	Indoor use only
Operating Temperature.....	32° to 131°F (0° to 55°C)
Humidity.....	95% RH, non-condensing
Tools Needed	
Insulated Screwdriver	
Wire Strippers	

DESCRIPTION AND OPERATION

RH-250 Multi-way Wall Switch Convertible Occupancy Sensors are designed to replace standard single pole and multi-way (3-way, 4-way) switches. They are ideal for any room with multiple entries and any other indoor space where vacancy sensor-based controls with manual ON/OFF capability are desirable.

Like standard switches, you can press the ON/OFF button to turn the light or fan (controlled load) ON and OFF. Unlike standard switches, the RH-250 automatically turns OFF the controlled load after the coverage area has been vacant for a period of time (Time Delay). If motion is detected within 30 seconds after it automatically turns OFF, the RH-250 automatically turns the load back ON.

While the sensor is factory preset as a Vacancy Sensor with manual ON operation, it can be adjusted to work as an occupancy sensor that turns the controlled load ON automatically upon detection of occupancy in the area.

The RH-250 can be wired with up to three additional RH-250s for multi-way Manual/Auto-ON/OFF of one or several loads (up to one load connected to each RH-250). It can also be wired to up to four RH-253 single pole momentary wall switches for multi-way Manual-ON/OFF Automatic-OFF control of one load.

Lighted Switch

To help you locate the RH-250 in a dark room, the amber LED illuminates the ON/OFF button while the controlled load is OFF. When the controlled load is ON, the LED is OFF.

Operating Modes

For multi-way operation of two or more RH-250s, we recommend that the Operating Mode be the same in all sensors related to the same load. This makes it easier to understand the multi-way control operation as well as trouble shooting. There are two operating modes to select from:

MODE 1 Vacancy sensor (Manual-ON/OFF, Auto-OFF): The user must press the ON/OFF button to turn the load ON. The RH-250 keeps the load ON until no motion is detected by any of the related RH-250s for the time delay period. There is also a 30 second reset delay after the automatic shut-off. If motion is detected during this time, the sensor turns the load back ON automatically. After the 30 second reset delay has elapsed, the ON/OFF button must be pressed to turn ON the load.

MODE 2 Occupancy sensor (Auto-ON/OFF with manual control and reset to auto after 5 minutes of vacancy): The load turns ON and OFF automatically based on occupancy detection. Once turned ON the RH-250 keeps the load ON until no motion is detected by any of the related RH-250s for the time delay period. If the load is turned OFF manually, automatic-ON is re-enabled when no motion is detected for 5 minutes. This prevents the load from being turned ON after it was deliberately turned OFF.

Time Delay

The time delay can be selected by the user during set up. It can be adjusted to any of these fixed values: 15 seconds/5 minutes/15 minutes/30 minutes. We recommend that the time delay be the same in all sensors related to the same load. This makes it easier to understand the multi-way control operation as well as trouble shooting. For additional information on how to adjust it, please read the SENSOR ADJUSTMENT & PROGRAMMING section of this installation manual.

Light Level

When the operating mode is set for occupancy sensor, Mode 2 (Auto-ON) this feature prevents the sensor from automatically turning the lights ON if there is already enough light in the area.

In a multi-way application, each sensor monitors the light level at it's location. If any sensor related to the load detects motion AND the measured light level in that sensor's area is lower than it's Light Level setting, the load turns ON.

To adjust the light level, please read the SENSOR ADJUSTMENT & PROGRAMMING section of this installation manual.

Coverage Area

The RH-250 has a maximum coverage range of 180 degrees and a coverage area of 600 square feet (56 square meters). The sensor must have a clear and unobstructed view of the coverage area. Objects blocking the sensor's lens may prevent detection thereby causing the light to turn OFF even though someone is in the area.

NOTE: Windows, glass doors, and other transparent barriers will obstruct the sensor's view and prevent detection.

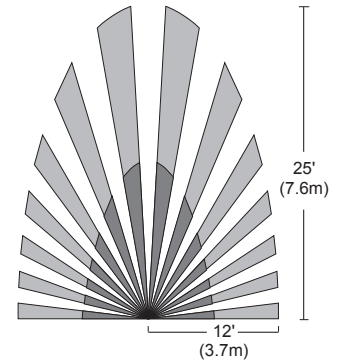


Fig. 1: Sensor Coverage Area

INSTALLATION & WIRING

These instructions describe only the 3-way circuit applications. For information about other applications, consult technical support.

1. Prepare the switch box

After the power is turned OFF at the circuit breaker box, remove the existing wall plate and mounting screws. Pull the old switch out from the wall box.

2. Identify the type of circuit

You may connect the RH-250 to a single pole or multi-way circuit. If you are unable to clearly identify some or all of the wires mentioned in this manual, you should consult with a qualified electrician.

In a 3-way circuit (see Fig. 2), two traveler wires connect to both switches. Another wire provides power from the circuit box to one of the switches. A wire connects from one switch to the load. A ground wire may also be connected to a ground terminal on the old switches. A neutral wire should also be present in both wall boxes.

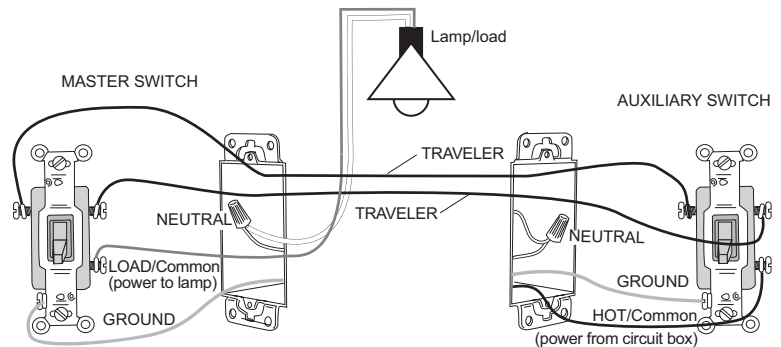


Fig. 2: Typical 3-Way Switch Wiring

CAUTION

For your safety: Connecting a proper ground to the sensor provides protection against electrical shock in the event of certain fault conditions. If a proper ground is not available, consult with a qualified electrician before continuing installation.

3. Prepare the Wires

Tag the wires currently connected to the existing switch so that they can be identified later. Disconnect the wires. Make sure the insulation is stripped off of the wires to expose their copper cores to the length indicated by the "Strip Gauge," in Fig. 3. (approx. 1/2 inch).

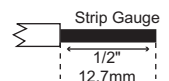


Fig. 3: Wire Stripping

4. Wire the sensor

Twist the existing wires together with the wire leads on the RH-250 sensor(s) as indicated in either step 4a or 4b. Cap wires securely using wire nuts.

a. Wiring two RH-250s in a 3-way configuration

- Connect the green or non-insulated (copper) GROUND wire from the circuit to the green terminal on each RH-250.
- Connect the NEUTRAL wire from the circuit and from the lamp (LOAD) to the white wire on the **master** RH-250.
- The term "master" designates the RH-250 that connects to the load.
- Connect the NEUTRAL wire from the circuit in the other wiring box to the white wire on the auxiliary RH-250.
- Connect the power wire from the circuit box (HOT) to the black wire on the auxiliary RH-250 and to the TRAVELER 1 wire.
- Connect the TRAVELER 1 wire from the black wire of the auxiliary RH-250 to the black wire of the master RH-250.
- Connect the lamp power (LOAD) to the red wire on the master RH-250.
- Cap the red wire on the auxiliary RH-250.
- Connect the TRAVELER 2 wire coming from the yellow wire of another RH-250 to the yellow wire of the RH-250 that you are wiring.

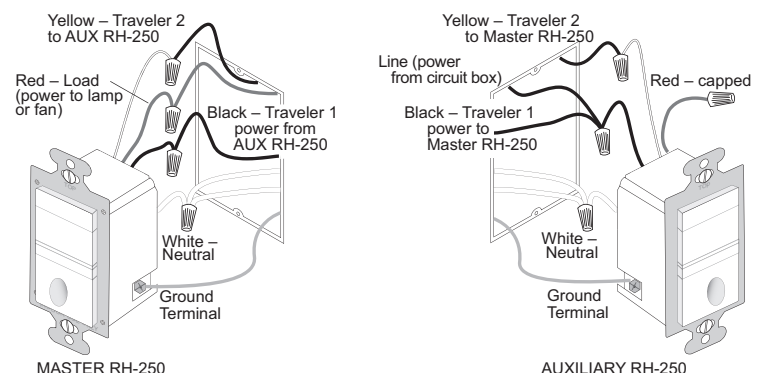


Fig. 4: Step 4a. Sensor orientation, wire connections and wall box assembly

b. Wiring one RH-250 and one RH-253 single pole momentary switch for multi-way Manual-ON/OFF single load control.

IMPORTANT: The RH-250 must be installed in the wiring wall box that connects to the load.

- Connect the green or non-insulated (copper) GROUND wire in each wiring box to the green terminal on each RH-250 and RH-253.
- Connect the NEUTRAL wire from the circuit and from the lamp (LOAD) to the white wire on the RH-250.
- Connect the power wire from the circuit box (HOT) to one terminal of the RH-253 single pole momentary wall switch and to the TRAVELER 1 wire.
- Connect the TRAVELER 1 wire coming from the RH-253 wiring box to the black wire of the RH-250.
- Connect the lamp power (LOAD) to the red wire on the RH-250.
- Connect the TRAVELER 2 wire to the other side of the RH-253 single pole momentary wall switch and to the yellow wire of the RH-250.

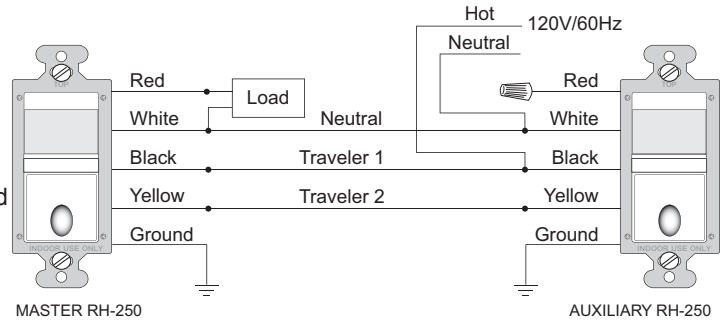


Fig. 5 Step 4a. Reference wiring diagram

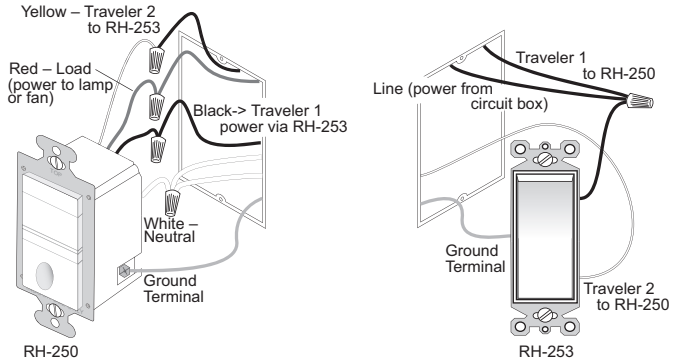


Fig. 6: Step 4b. Sensor orientation and wire connections for 3-way operation with an RH-253 momentary wall switch

To wire up to four RH-253 single pole momentary wall switches to one RH-250, wire them in parallel as shown in the following wiring diagram.

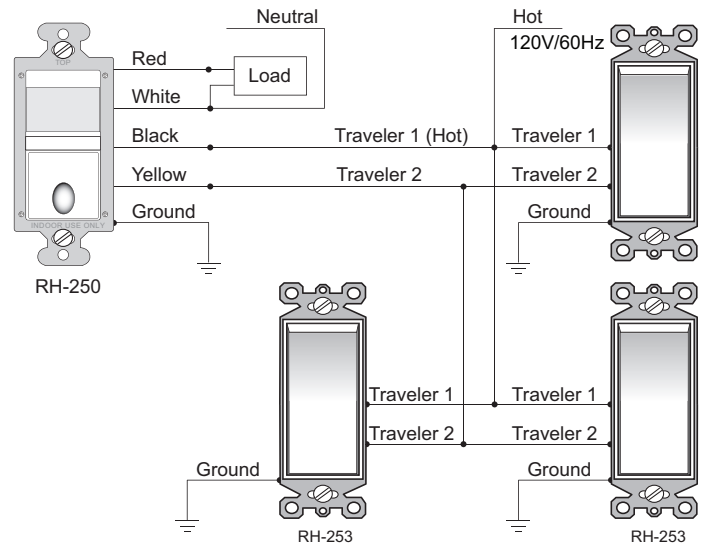


Fig. 7: Step 4b. Reference wiring diagram for multi-way operation with RH-253 momentary wall switches (4 maximum)

5. Put all the new switches into their wall boxes.

Position the RH-250 switch(es) with the lens above the ON/OFF button (lens at top, ON/OFF button at bottom). Use the captive screws on the mounting strap to secure the switches to their wall boxes.

6. Restore power to the circuit.

Turn on the breaker or replace the fuse.

7. Make any necessary adjustments.

See the SENSOR ADJUSTMENT & PROGRAMMING section for information.

8. Install cover plates.

Install industry standard decorator wall switch cover plate (not included)

Initial Power-up

There is an initial warm-up period. If the sensor is in Mode 2 "Automatic ON" it may take up to a minute before the lights turn ON. However, the lights can be turned ON/OFF manually by pressing the "ON/OFF Button" at any time when power is supplied to the unit.

SENSOR ADJUSTMENT & PROGRAMMING

To program the RH-250, you use controls located under the ON/OFF button. The wall switch cover plate must be removed to gain access to the mode button and adjustment trimpots under the ON/OFF button.

1. Firmly grasp the side edges of the Lock Bar and gently pull it away from the switch face until it clicks. Do NOT attempt to pull the Lock Bar off of the switch!
2. Firmly grasp the side edges of the ON/OFF button. Slide the button downward approximately 1/2 inch to expose the mode button and adjustment trimpots.

For multi-way operation, the Operating Mode and the Time Delay adjustments should be the same in all sensors related to the same load.

Setting up the Operating Mode

Select the operating mode by pressing the Mode button. The amber LED behind the switch button blinks to indicate the selected mode. The blink pattern repeats three times:

- One blink indicates Mode 1 (Vacancy Sensor Operation), Manual-ON/OFF, Auto-OFF
- Two blinks indicates Mode 2 (Occupancy Sensor Operation), Auto-ON/OFF with manual control and reset to auto (after 5 minutes of vacancy)

To change the mode, press the Mode button once to set the unit to mode 1 or press the Mode button twice to set the unit to mode 2. The LED blinks to indicate the selected mode. It repeats the selected mode three times. After that, the unit operates in the indicated mode.

Adjusting the Time Delay

Turn the right trimpot counter-clockwise to reduce the amount of time the lights will remain ON after the last motion detection (minimum = 15 seconds). Turn the same trimpot clockwise to increase this time delay (maximum = 30 minutes). You can only select the following values: 15 seconds/5 minutes/15 minutes/30 minutes.

Warning: Do not overturn the Time Delay adjustment trimpot!

Adjusting the Light Level

This feature is factory set at maximum, so that even the brightest light will not prevent the sensor from turning the load ON when it detects occupancy. If this feature is not needed, leave the light level at maximum, fully clockwise.

The light level must be adjusted when lights would normally be turned OFF because there is enough natural illumination. Each RH-250 may have a different light level setting.

1. Set all RH-250s to Mode 1 (Manual-ON) - except for the one that you're adjusting.
2. Set the RH-250 you're adjusting so that it is in Mode 2 (Automatic-ON).
3. Reduce the time delay to 15 seconds.
4. Adjust the Light Level trimpot to minimum (fully counter-clockwise) on the unit that you're adjusting. Move out of the coverage area. Let the sensor time out so lights are OFF and then wait 30 seconds more.
5. Without casting a shadow on the sensor, enter the area. The lights should remain OFF. Adjust the Light Level trimpot clockwise in small increments. After each adjustment, wait 5-10 seconds to see if the lights turn ON.

Continue this procedure until the lights turn ON. At this setting the light will not turn ON automatically with occupancy if the light level measured at this sensor is above the current natural illumination.

6. Repeat the process (beginning with step 1) for each RH-250 in your multi-way configuration until the Light Level has been adjusted properly in all of them.
7. When you have finished adjusting the Light Level of all the RH-250s, return them all to Mode 2.
8. Reset the time delay to the desired setting in all units.

Warning: Do not overturn the Light Level adjustment trimpot!

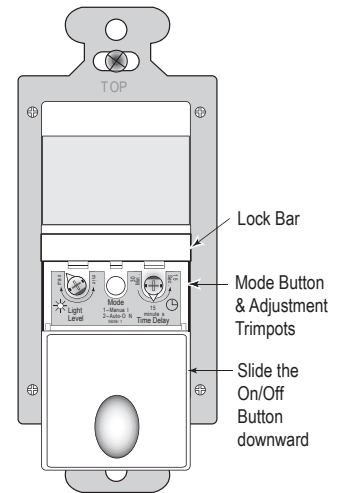


Fig. 8: Sensor Adjustment Controls

TEST MODE

To test the detection coverage:

1. Press and hold the ON/OFF button. After 10 seconds the lighted switch turns off. The load turns ON if it was not already ON. The sensor is now in a TEST mode that lasts 5 minutes. (You can end the TEST mode sooner by pressing the ON/OFF button for another 10 seconds). During the TEST mode, the controlled load turns ON for 5 seconds each time the sensor that initiated the TEST mode detects occupancy.
2. Move out of the coverage area or stand very still. The controlled load turns OFF after 5 seconds if no motion is detected.
3. Move into the coverage area for the unit that initiated the TEST mode. The controlled load turns ON for 5 seconds each time the sensor detects motion. After 5 seconds expire without motion detection, the load turns OFF. The controlled load turns ON automatically with the next motion detection and stays ON for 5 seconds.
4. Repeat as necessary to ensure that the desired coverage areas are within detection range.

You can do this test for each RH-250 in your multi-way configuration. So that you can determine the actual coverage area for each multi-way switch individually, only the RH-250 that is in TEST mode will control the load.

TROUBLESHOOTING

Lighted switch is OFF, no load response to ON/OFF button press:

- Make certain that the circuit breaker is on and functioning.

Lighted switch is ON, no load response to ON/OFF button press:

- Check the lamp and/or motor switch on the fan mechanism.

Load will not turn OFF automatically:

- Press ON/OFF button. If the controlled load turns OFF, go to next step.
- The time delay can be set from 15 seconds to 30 minutes. Check the time delay setting for each RH-250 in your multi-way configuration. Ensure that all RH-250s have the same time delay setting.
- Ensure that there is no movement within the coverage area for all the sensors related to the load for the set time delay. Hot air currents and heat radiant devices can cause false detection. Make sure the sensor is at least 6 feet (2 meters) away from devices that are a significant heat source (e.g. heater, heater vent, high wattage light bulb).

Load will not turn ON automatically when the area is occupied and the sensors are in Mode 2 (lighted switch is ON):

- Press ON/OFF button. If the load turns ON, check the Light Level setting. The light level can prevent the sensor from turning ON the load automatically.
- Make sure the sensor lenses are not blocked and that you are within the coverage area of at least one sensor.
- If the load does not turn ON when you press the ON/OFF button, check the light bulb and/or motor switch on the fan mechanism.

If load does not respond properly after following troubleshooting, turn OFF power to the circuit then check wire connections or call technical support.

COVER PLATES

Wattstopper RH wall switches fit behind industry standard decorator style switch cover plates.

DESCRIPTION ET FONCTIONNEMENT

Les détecteurs de présence à interrupteur mural convertible multivoies RH-250 sont conçus pour remplacer les interrupteurs standard unipolaires et multivoies (3 voies, 4 voies). Ils sont idéaux pour toute pièce avec plusieurs entrées et autres espaces intérieurs où des contrôles de présence basés sur des détecteurs avec capacités de marche/arrêt manuelles sont souhaitables.

Comme pour les interrupteurs standard, vous pouvez appuyer sur le bouton marche/arrêt pour allumer ou éteindre la lumière ou le ventilateur (charge contrôlée). Contrairement à un interrupteur standard, le RH-250 éteint automatiquement les appareils lorsque sa zone de couverture est demeurée inoccupée pendant un certain temps (délai de temporisation). Si le RH-250 détecte un mouvement dans les 30 secondes après s'être éteint automatiquement, la lumière se rallume automatiquement.

Lorsque le détecteur est réglé par défaut comme détecteur d'inoccupation avec un fonctionnement de mise en marche manuel, il peut être réglé pour fonctionner comme un détecteur de présence qui active les charges contrôlées automatiquement lorsqu'il détecte une présence dans la pièce.

Le RH-250 peut être raccordé à un maximum de trois RH-250 supplémentaires pour obtenir un contrôle multivoies avec marche/arrêt manuels ou automatiques pour une ou plusieurs charges (jusqu'à une charge connectée à chaque RH-250). Il peut également être raccordé à un maximum de quatre interrupteurs momentanés unipolaires muraux RH-253 pour le contrôle multivoies avec marche/arrêt manuels et arrêt automatique d'une charge.

Interrupteur lumineux

Pour vous aider à localiser le RH-250 dans une pièce sombre, la DEL ambrée illumine le bouton marche/arrêt lorsque la charge contrôlée est éteinte. Lorsque la charge contrôlée est active, la DEL est éteinte.

Modes de fonctionnement

Pour le fonctionnement multivoies de deux RH-250 ou plus, nous recommandons d'utiliser le même mode de fonctionnement pour tous les détecteurs liés à la même charge. Cela permet de comprendre plus facilement le fonctionnement multivoies et simplifie le dépannage. Il existe deux modes de fonctionnement à choisir :

MODE 1 Détecteur d'inoccupation (marche/arrêt manuels, arrêt automatique) : L'utilisateur doit appuyer sur le bouton marche/arrêt pour activer la charge. Le RH-250 maintient la charge activée jusqu'à ce que plus aucun mouvement ne soit détecté par n'importe lequel des RH-250 liés pendant la temporisation sélectionnée. Il y a également un délai de réinitialisation de 30 secondes après l'arrêt automatique. Si un mouvement est détecté pendant ce temps, le détecteur active la charge automatiquement de nouveau. Une fois que le délai de réinitialisation de 30 secondes est écoulé, vous devez appuyer sur le bouton marche/arrêt pour activer la charge.

MODE 2 Détecteur de présence (marche/arrêt automatique) avec commande manuelle et réinitialisation à la commande automatique après 5 minutes d'absence) : La charge s'active et se coupe automatiquement en fonction de la présence. Une fois activé, le RH-250 maintient la charge activée jusqu'à ce que plus aucun mouvement ne soit détecté par n'importe lequel des RH-250 liés pendant la temporisation sélectionnée. Si la charge est éteinte manuellement, l'activation automatique est réactivée lorsqu'aucun mouvement n'est détecté pendant 5 minutes. Cela permet d'éviter que la charge ne s'active automatiquement après avoir été volontairement désactivée.

Temporisation

La temporisation peut être sélectionnée par l'utilisateur pendant la configuration. Elle peut être réglée sur l'une des valeurs fixes suivantes : 15 secondes/5 minutes/15 minutes/30 minutes. Nous recommandons d'utiliser le même délai de temporisation pour tous les détecteurs liés à la même charge. Cela permet de comprendre plus facilement le fonctionnement multivoies et simplifie le dépannage. Pour de plus amples renseignements sur le réglage, veuillez lire la section RÉGLAGE DU DÉTECTEUR ET PROGRAMMATION du manuel d'installation.

Niveau de luminosité

Lorsque le mode de fonctionnement est réglé sur le mode 2 de détection de présence (marche/arrêt automatique), la fonctionnalité du niveau de luminosité empêche le détecteur d'allumer automatiquement les lumières, si la lumière est suffisante dans cette pièce.

Dans une application multivoies, chaque détecteur surveille le niveau de luminosité à son emplacement. Si tout détecteur lié à la charge détecte un mouvement et que le niveau de luminosité mesuré dans l'emplacement de ce détecteur est inférieur à son réglage de niveau de luminosité, la charge est activée.

Pour régler le niveau de luminosité, veuillez lire la section RÉGLAGE DU DÉTECTEUR ET PROGRAMMATION du manuel d'installation.

Zone de couverture

Le RH-250 présente une portée maximale de 180 degrés sur une zone de 56 m² (600 pi²). Aucun obstacle ne doit s'interposer entre le détecteur et la zone de couverture. Tout objet gênant la lentille du détecteur capteur peut empêcher la détection et donc entraîner l'extinction de la lumière même si quelqu'un se trouve dans la pièce.

REMARQUE: Fenêtres, baies vitrées et autres obstacles transparents bloqueront le détecteur et l'empêcheront de fonctionner.

CARACTÉRISTIQUES

Tension	120 VCA, 60 Hz
Charge (multivoies)	
Incandescent ou fluorescent	0 à 600 watts
Moteur du ventilateur.....	1/6 HP
Réglage de la temporisation.....	15 sec., 5 min., 15 min., 30 min.
Réglage du niveau de luminosité	10 à 150 pieds-bougies
Environnement	Pour un usage intérieur seulement
Température de fonctionnement.....	0° à 55°C (32° à 131°F)
Humidité95 % d'humidité relative, sans condensation
Outils nécessaires	
Tournevis isolé	
Outils à dénuder	

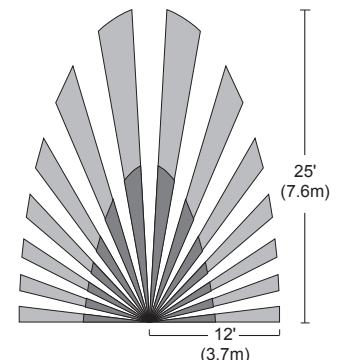


Fig. 1: Zone de couverture du détecteur

INSTALLATION ET CÂBLAGE

Ces instructions décrivent uniquement les applications de circuit à 3 voies. Pour obtenir des informations sur les autres applications, consultez l'assistance technique.

1. Préparez le boîtier d'interrupteur.

Une fois que le courant est coupé au niveau du disjoncteur de circuit, retirez la plaque murale et les vis de montage existantes. Enlevez l'ancien interrupteur du boîtier mural.

2. Identifiez le type de circuit.

Vous pouvez raccorder le RH-250 à un circuit unipolaire ou multivoies. Si vous n'arrivez pas à identifier clairement quelques-uns ou tous les fils mentionnés dans ce manuel, veuillez consulter un électricien qualifié.

Dans un circuit à 3 voies (voir Fig. 2), deux fils va-et-vient sont raccordés aux deux commutateurs. Un autre fil transporte l'alimentation du disjoncteur de circuit à l'un des commutateurs. Un fil raccorde un commutateur à la charge. Un fil de terre peut également être relié à une borne de terre des anciens commutateurs. Un fil neutre devrait également être présent dans les boîtiers muraux.

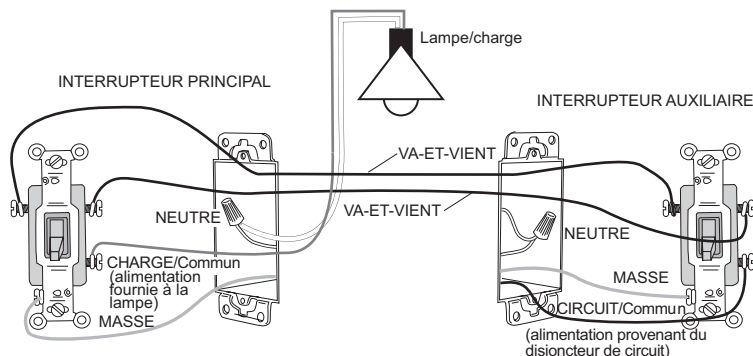


Fig. 2 : Câblage typique d'un commutateur à 3 voies

MISE EN GARDE

Pour assurer votre sécurité : la mise à la terre appropriée du détecteur capteur fournit une protection contre les décharges électriques dans le cas de certaines défaillances. Si une mise à la terre appropriée n'est pas disponible, contactez un électricien qualifié avant de poursuivre l'installation.

3. Préparez les fils.

Étiquetez les fils actuellement raccordés au commutateur existant afin de pouvoir les identifier par la suite. Débranchez les fils. Assurez-vous que l'isolant est retiré des fils pour exposer leurs conducteurs en cuivre sur la longueur indiquée par le « gabarit de dénudage » (figure 3) (environ 12,7 mm [1/2 po]).

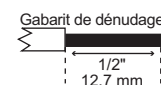


Fig. 3: Wire Stripping

4. Câblez le détecteur de mouvement.

Torsadez les fils existants avec les fils du détecteur RS-250 comme indiqué à l'étape 4a ou 4b. Scellez les fils en posant solidement les capuchons de connexion.

a. Câblage de deux RH-250 dans une configuration à 3 voies

- Raccordez le fil de TERRE (cuivre) non isolé ou vert du circuit à la borne verte sur chaque RH-250.
- Raccordez le fil NEUTRE du circuit et de la lampe (CHARGE) au fil blanc du RH-250 maître.
- Le terme « maître » désigne le RH-250 qui est relié à la charge.
- Raccordez le fil NEUTRE du circuit dans l'autre boîte de câblage au fil blanc du RH-250 auxiliaire.
- Raccordez le fil d'alimentation de la boîte de circuits (SOUS TENSION) au fil noir du RS-250 auxiliaire et au fil VA-ET-VIENT 1.
- Raccordez le fil VA-ET-VIENT 1 depuis le fil noir du RH-250 auxiliaire au fil noir du RH-250 maître.
- Raccordez le fil d'alimentation de la lampe (CHARGE) au fil rouge du RH-250 maître.
- Scellez le fil rouge sur le RH-250 auxiliaire.
- Connectez le fil VA-ET-VIENT 2 en provenance du fil jaune d'un autre RH-250 au fil jaune du RH-250 que vous êtes en train de câbler.

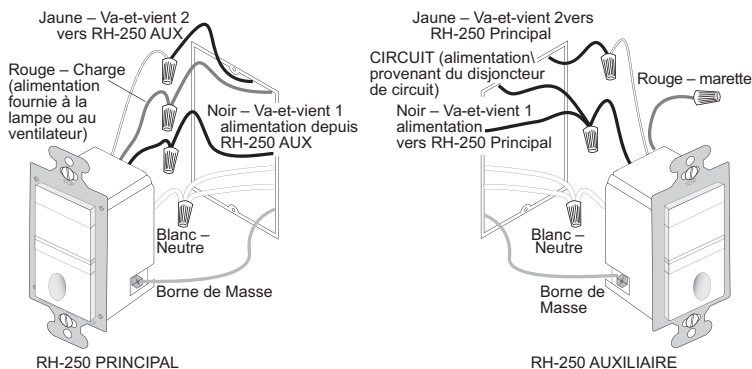


Fig. 4 : Étape 4a. Orientation du détecteur, branchement des fils et montage de boîtier mural

b. Câblage d'un RH-250 et d'un interrupteur momentané unipolaire RH-253 pour le contrôle multivoies avec marche/arrêt manuels d'une charge unique.

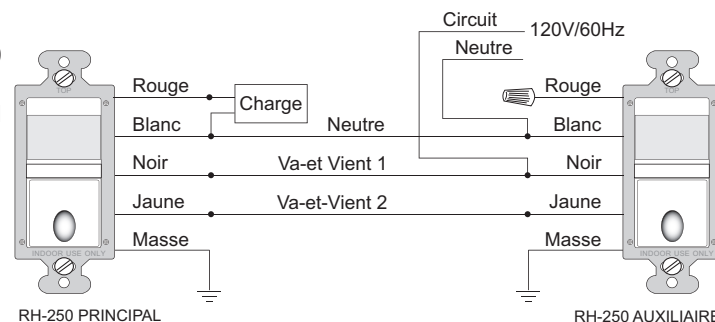


Fig. 5 Étape 4a. Schéma de câblage de référence

IMPORTANT: le RH-250 doit être installé dans la boîte de câblage murale qui est connectée à la charge.

- Raccordez le fil de TERRE (cuivre) non isolé de chaque boîte de câblage au circuit à la borne verte de chaque RH-250 et RH-253.
- Raccordez le fil NEUTRE du circuit et de la lampe (CHARGE) au fil blanc du RH-250.
- Raccordez le fil d'alimentation de la boîte de circuits (SOUS TENSION) à une borne de l'interrupteur mural instantané unipolaire

RH-253 et au fil VA-ET-VIENT 1.

- Raccordez le fil VA-ET-VIENT 1 en provenance de la boîte de câblage du RH-253 au fil noir du RH-250.
- Raccordez le fil d'alimentation de la lampe (CHARGE) au fil rouge du RH-250.
- Raccordez le fil VA-ET-VIENT 2 à l'autre côté de de l'interrupteur mural momentané unipolaire RH-253 et au fil jaune du RH-250.

5. Placez tous les nouveaux commutateurs dans leurs boîtiers muraux.

Positionnez le(s) interrupteur(s) RH-250 avec la lentille au-dessus du bouton de marche/arrêt (lentille en haut, bouton en bas). Utilisez les vis imperdables sur la courroie de montage pour fixer les interrupteurs à leurs boîtes murales.

6. Remettez le circuit sous tension.

Enclenchez le disjoncteur de circuit ou remettez le fusible.

7. Effectuez les réglages nécessaires.

Voir la partie RÉGLAGE DU DÉTECTEUR ET PROGRAMMATION pour plus d'informations.

8. Montez les plaques.

Fixez la plaque de recouvrement standard décorative de l'interrupteur mural (non comprise).

Mise sous tension initiale

Il y a une phase de démarrage initiale. Si le détecteur est en mode 2 (marche automatique), cela peut prendre jusqu'à une minute avant que les lumières s'allument. Par contre, les lumières peuvent être allumées/éteintes manuellement en appuyant sur le bouton marche/arrêt à tout moment lorsque le courant alimente l'appareil.

PROGRAMMATION ET RÉGLAGE DU DÉTECTEUR

Pour programmer le RH-250, utilisez les commandes situées sous le bouton marche/arrêt. Il faut retirer la plaque de recouvrement de l'interrupteur mural pour avoir accès au bouton Mode et aux potentiomètres de réglage sous le bouton marche/arrêt.

1. Tenez fermement les côtés de la barre de verrouillage et retirez-la doucement de la surface de l'interrupteur jusqu'à ce que vous entendiez un déclic. N'essayez pas de retirer la barre de verrouillage de l'interrupteur!
2. Tenez fermement les côtés du bouton marche/arrêt. Glissez le bouton vers le bas, environ 12,7 mm (1/2 po), pour exposer le bouton Mode et les potentiomètres de réglage.

Pour le fonctionnement multivoies, le mode de fonctionnement et les réglages de temporisation devraient être les mêmes pour tous les détecteurs liés à la même charge.

Configuration du mode de fonctionnement

Sélectionnez le mode de fonctionnement en appuyant sur le bouton Mode. La DEL ambrée derrière l'interrupteur clignote pour indiquer le mode sélectionné. Le schéma de clignotement se répète trois fois:

- Un clignotement indique le mode 1 (fonctionnement détecteur d'inoccupation), marche/arrêt manuels, extinction automatique.
- Deux clignotements indiquent le mode 2 (fonctionnement détecteur de présence), marche/arrêt automatique avec commande manuelle et réinitialisation à la commande automatique (après 5 minutes d'inoccupation)

Pour changer le mode, appuyez une fois sur le bouton Mode pour régler l'appareil au mode 1, ou appuyez deux fois sur le bouton Mode pour régler l'appareil au mode 2. La DEL clignote pour indiquer le mode sélectionné. Elle répète les modes sélectionnés trois fois. Après quoi, l'appareil fonctionne selon le mode indiqué.

Réglage de la temporisation

Tournez le potentiomètre de droite dans le sens antihoraire pour réduire le temps durant lequel les lumières resteront actives après la dernière détection de mouvement (minimum = 15 secondes). Tournez le même potentiomètre dans le sens horaire pour augmenter la temporisation (maximum = 30 minutes). Vous pouvez sélectionner les valeurs suivantes uniquement : 15 secondes/5 minutes/15 minutes/30 minutes.

Avvertissement: Ne tournez pas excessivement le potentiomètre de temporisation!

Réglage du niveau de luminosité

Par défaut, ce paramètre est réglé au maximum, de façon à ce qu'une très forte luminosité n'empêche pas le dispositif de s'activer si une présence est détectée. Si cette fonction n'est pas nécessaire, laissez la luminosité au maximum, à fond à droite.

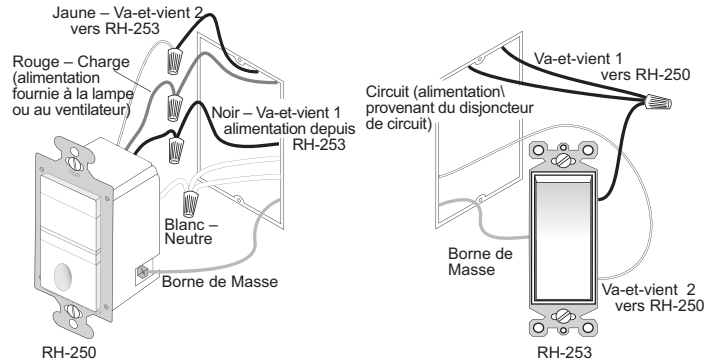


Fig. 6 : Étape 4b. Orientation du détecteur et branchement des fils pour le fonctionnement à 3 voies avec un interrupteur mural instantané RH-253

Pour raccorder jusqu'à quatre interrupteurs muraux momentanés unipolaires RH-253 à un RH-250, câblez-les en parallèle tel qu'illustré dans le schéma de câblage suivant.

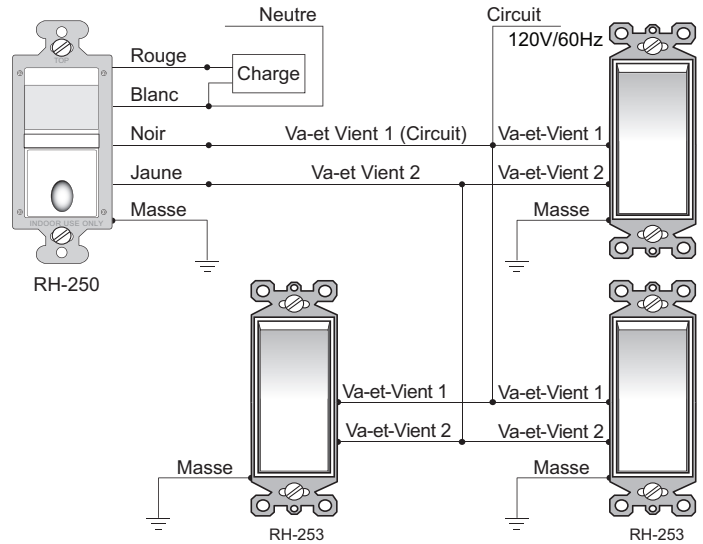


Fig. 7 : Étape 4b. Schéma de câblage de référence pour un fonctionnement multivoies avec interrupteurs muraux momentanés RH-253 (4 maximum)

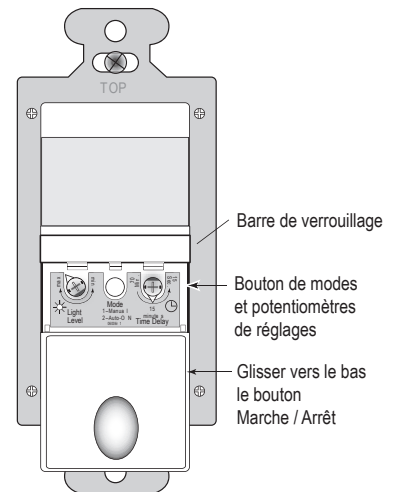


Fig. 8 : Réglage des contrôles du détecteur

Le paramètre doit être réglé lorsque les lumières seraient normalement éteintes puisque la lumière ambiante est suffisante. Chaque RH-250 peut avoir un réglage de niveau de luminosité différent.

1. Réglez tous les RH-250 sur le Mode 1 (marche manuelle), sauf celui que vous êtes en train d'ajuster.
 2. Réglez le RH-250 en cours d'ajustement sur le Mode 2 (marche automatique).
 3. Réduisez le délai de temporisation à 15 secondes
 4. Réglez le potentiomètre du niveau de luminosité sur le minimum (faites-le tourner totalement dans le sens antihoraire) sur l'unité en cours d'ajustement. Sortez de la zone couverte. Laissez le temps s'écouler pour que les lumières soient éteintes, puis attendez 30 secondes de plus.
 5. Sans faire d'ombre au détecteur, entrez dans la pièce. Les lumières devraient demeurer éteintes. Réglez le potentiomètre du niveau de luminosité par petits incréments dans le sens horaire. Après chaque réglage, attendez 5 à -10 secondes pour voir si la lumière s'allume.
- Continuez ainsi jusqu'à ce que les lumières s'allument. À ce réglage, les lumières ne s'allumeront pas automatiquement selon l'occupation si le niveau de luminosité mesuré sur ce détecteur est supérieur à la lumière ambiante actuelle.
6. Répétez le processus (en commençant par l'étape 1) pour chaque RH-250 de votre configuration multivoies jusqu'à ce que le niveau de luminosité soit réglé correctement pour chacun d'entre eux.
 7. Une fois le niveau de luminosité réglé pour tous les RH-250, réglez-les tous sur le Mode 2.
 8. Réinitialisez la temporisation au réglage souhaité dans toutes les unités.

Avvertissement : Ne tournez pas excessivement le potentiomètre du niveau de luminosité!

MODE TEST

Pour tester la couverture de détection :

1. Maintenez appuyé le bouton marche/arrêt. Après 10 secondes, l'interrupteur lumineux s'éteint. La charge s'active si elle ne l'était pas déjà. Le capteur est maintenant en mode TEST pour 5 minutes. (Vous pouvez sortir du mode TEST plus tôt en appuyant sur le bouton marche/arrêt pendant 10 secondes supplémentaires).
Au cours du mode TEST, la charge contrôlée s'active pendant 5 secondes chaque fois que le détecteur qui a initié le mode TEST repère une présence.
 2. Sortez de la zone de couverture ou restez immobile. La charge contrôlée s'éteint après 5 secondes si aucun mouvement n'est détecté.
 3. Revenez dans la zone de couverture pour l'unité qui a initié le mode TEST. La charge contrôlée s'active pendant 5 secondes chaque fois que le détecteur repère un mouvement. Après 5 secondes passées sans détection, la charge s'éteint. La charge contrôlée s'active automatiquement lors de la prochaine détection et reste active pendant 5 secondes.
 4. Répétez les étapes autant de fois que nécessaire de sorte que le champ de détection soit conforme à la zone de couverture recherchée.
- Vous pouvez effectuer ce test pour chaque RH-250 de votre configuration multivoies. Seul le RH-250 en mode TEST contrôle la charge pour vous permettre de déterminer la zone de couverture réelle de chaque interrupteur multivoies individuellement.

DÉPANNAGE

L'interrupteur lumineux est éteint, aucune réponse des charges à la pression du bouton marche/arrêt :

- Assurez-vous que le disjoncteur est en marche et qu'il fonctionne.

L'interrupteur lumineux est allumé, aucune réponse des charges à la pression du bouton marche/arrêt :

- Vérifier la lampe et/ou l'interrupteur du moteur du ventilateur.

La charge ne s'éteint pas automatiquement :

- Appuyez sur le bouton marche/arrêt. Si la charge s'éteint, passez à l'étape suivante.
- Le délai de temporisation peut être réglé entre 15 secondes et 30 minutes. Vérifiez le délai de temporisation pour chaque RH-250 de votre configuration multivoies. Assurez-vous que tous les RH-250 ont le même réglage de délai de temporisation.
- Assurez-vous de l'absence de mouvement dans la zone de couverture pour tous les détecteurs liés à la charge pour le délai de temporisation défini. Les courants d'air chaud et les appareils à chaleur radiante peuvent entraîner de faux déclenchements. Veillez à ce que le détecteur soit situé à au moins 2 mètres (6 pieds) des appareils générant une source de chaleur significative (par exemple, radiateur, événement, ampoule à wattage élevé).

La charge ne s'active pas automatiquement lorsque la pièce est occupée et que les capteurs sont en mode 2 (l'interrupteur lumineux est en allumé) :

- Appuyez sur le bouton marche/arrêt. Si la charge s'ALLUME, vérifiez le réglage du niveau de luminosité. Le niveau de luminosité peut empêcher le détecteur d'activer la charge automatiquement.

Assurez-vous que les lentilles des détecteurs ne sont pas obstruées et que vous êtes dans la zone de couverture d'au moins un détecteur.

- Si la charge ne s'allume pas lorsque vous appuyez sur le bouton marche/arrêt, vérifiez l'ampoule et l'interrupteur du moteur du ventilateur.

Si la charge ne répond pas correctement après avoir suivi le dépannage, coupez le courant au circuit, puis vérifiez les raccordements de fils ou communiquez avec le soutien technique.

PLAQUES

Les interrupteurs muraux RH Wattstopper sont montés derrière des plaques d'interrupteur standards de style décoratif.

DESCRIPCION Y OPERACIÓN

Los Sensores de Desocupación de pared (3 vías, 4 vías) configurables RH-250 están diseñados para sustituir interruptores de luz convencionales unipolares, de 3 y 4 vías o el interruptor de un ventilador. Son ideales para cualquier área donde se deseen controles manuales de ENCENDIDO/APAGADO con detección de ocupación/desocupación.

Igual que con un interruptor convencional, usted presiona el botón de ENCENDIDO/APAGADO para encender o apagar la luz o ventilador (carga controlada). Sin embargo, el RH-250 apagará automáticamente la carga controlada cuando el área de cobertura ha permanecido desocupada por un período de tiempo definido como Retardo de Apagado. Si se detecta movimiento durante los siguientes 30 segundos después de que la carga se ha apagado automáticamente, el RH-250 la encenderá nuevamente en forma también automática.

Aunque el sensor viene configurado de fábrica para funcionar como un Sensor de Desocupación (es decir, que requiere de encendido manual por el usuario), el mismo puede ser configurado para operar como un Sensor de Ocupación que encenderá automáticamente la carga en el preciso instante en que detecte ocupación en su área de cobertura.

El RH-250 puede ser conectado a un máximo de tres RH-250 adicionales para el control de encendido/apagado manual o automático de una o varias cargas (hasta una carga por cada RH-250) desde varios lugares. También puede ser conectado hasta con cuatro interruptores momentáneos unipolares RH-253 para el control de encendido/apagado manual y apagado automático de una única carga desde múltiples ubicaciones.

Interruptor Iluminado

Para facilitar la ubicación del RH-250 en un cuarto oscuro, un LED color ámbar ilumina el botón de ENCENDIDO/APAGADO cuando la carga controlada se encuentra apagada. Cuando por el contrario esta última se encuentra encendida, el LED estará apagado.

Modos de Operación

Para conexiones de 3 y 4 vías de dos o mas RH-250s, se recomienda que el Modo de Operación sea el mismo en todos los sensores que estén controlando una misma carga. Esto facilita el entendimiento del funcionamiento del sistema tipo 3 vías o 4 vías así como también la solución de problemas en caso de que sea necesario. Es posible elegir entre dos modos de operación durante la etapa de instalación y configuración del sensor:

MODO 1 Sensor de Desocupación (ENCENDIDO/APAGADO manual, APAGADO AUTOMATICO): el usuario debe presionar el botón de ENCENDIDO/APAGADO para encender la carga. Uno o varios RH-250s controlando una misma carga, la mantendrán encendida hasta que ninguno de ellos detecte movimiento por un periodo de tiempo denominado Retardo de Apagado (configurable desde 15 segundos hasta 30 minutos). Existe un periodo de 30 segundos, inmediatamente después de que la carga se ha apagado automáticamente, durante el cual los sensores RH-250 la encenderán nuevamente en forma automática si alguno de estos detecta movimiento. Si transcurren más de 30 segundos, será necesario presionar el botón de ENCENDIDO/APAGADO nuevamente para poder encender la carga.

MODO 2 Sensor de Ocupación (ENCENDIDO/APAGADO automático con control manual y retorno a ENCENDIDO AUTOMATICO después de 5 minutos de desocupación): la carga se enciende y se apaga automáticamente por detección de ocupación. Los RH-250s mantienen la carga encendida hasta que todos ellos dejen de detectar movimiento por un periodo de tiempo igual al definido como Retardo de Apagado. Si la carga es apagada manualmente, la operación de ENCENDIDO AUTOMATICO se reestablece después de que los sensores no han detectado movimiento por 5 minutos. Esto evita que la carga se encienda automáticamente cuando la misma ha sido apagada manualmente por elección del usuario.

Tiempo de Retardo de Apagado

El tiempo de Retardo de Apagado puede ser configurado por el usuario durante la instalación del producto. Para el mismo se pueden elegir los siguientes valores: 15segundos, 5 minutos, 15 minutos y 30 minutos. Se recomienda que todos los RH-250 conectados en grupo sean configurados con el mismo tiempo de Retardo de Apagado. Para información adicional sobre cómo realizar lo anterior, por favor lea la sección de CONFIGURACION Y PROGRAMACION DEL SENSOR en este instructivo de instalación.

Nivel de Luz Natural

Cuando el sensor está configurado para operar en Modo 2 como un sensor de ocupación (ENCENDIDO/APAGADO automático) el ajuste del Nivel de Luz Natural evita que el sensor encienda automáticamente las luces si existe suficiente luz natural en la habitación.

En una conexión de dos o más RH-250s, es decir, en una conexión 3 o 4 vías, cada sensor monitorea el nivel de luz natural en su área. Cualquiera de los sensores que detecte movimiento y que determine que la luz natural es insuficiente encenderá la carga.

Para ajustar el Nivel de Luz Natural por favor lea la sección de CONFIGURACION Y PROGRAMACION DEL SENSOR en este instructivo de instalación.

Area de Cobertura

El RH-250 tiene un rango de cobertura máximo de 180 grados, y cubre un área de 600 pies cuadrados (56 metros cuadrados). El RH-250 debe poder tener visibilidad completa y sin obstrucciones del área de cobertura. La carga podría apagarse aun cuando alguien se encuentre dentro del área de cobertura si existen objetos bloqueando el lente del sensor y por tanto evitando que el mismo detecte movimiento.

NOTA: Ventanas, puertas de vidrio, y otras barreras transparentes obstruirán la cobertura del sensor y evitarán que exista detección.

ESPECIFICACIONES

Voltaje.....	120VAC, 60Hz
Carga (3 vías, 4 vías)	Lámparas incandescentes o fluorescentes..... 0-600 Watts
	Un motor 1/6 hp
Ajuste del Retardo de Apagado.....	desde 15 segundos hasta 30 minutos
Ajuste del Nivel de Luz Natural.....	10 fc to 150 fc
Condiciones de operación.....	Solo para uso en interiores
Temperatura	32° to 131°F (0° to 55°C)
Humedad.....	95% Humedad relativa, sin condensación
Herramientas necesarias:	
	Desatornillador con aislamiento
	Peladora de cable

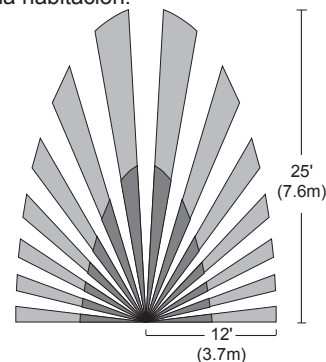


Fig. 1: Patrón de cobertura del sensor

INSTALACION Y CABLEADO

Estas instrucciones describen únicamente conexiones de 3-vías. Para otras aplicaciones consulte nuestro departamento de soporte técnico.

ADVERTENICA

DESCONECTE LA CORRIENTE QUE ALIMENTA LA CAJA DE CONEXIONES APAGANDO EL DISYUNTOR (BREAKER) O REMOVIENDO EL FUSIBLE PARA EL CIRCUITO CORRESPONDIENTE ANTES DE INSTALAR EL RH-250, REEMPLAZAR LUCES, O REALIZAR CUALQUIER TRABAJO ELÉCTRICO.

1. Prepare la caja de conexiones.

Después de haber desconectado la corriente eléctrica a nivel del disyuntor (breaker) del circuito correspondiente, retire la placa del interruptor y los tornillos de montaje. Extraiga el interruptor existente de la caja.

2. Identifique el tipo de circuito.

Usted puede conectar el RH-250 a un circuito unipolar, o una conexión de 3 o 4 vías. Si usted es incapaz de identificar claramente alguno de los cables mencionados en este manual, usted debe consultar con un electricista calificado. En una conexión tipo 3 vías (ver Fig. 2), dos conectores, alambres o cables viajeros conectan los dos interruptores. Otro cable o alambre provee la corriente de Línea o fase desde la caja de disyuntores (breakers) hasta una de las dos cajas de conexiones. Otro cable o alambre conecta la otra caja a la carga. Un cable o alambre de conexión a tierra también puede estar presente en las cajas de conexiones y conectado a las terminales de tierra de los interruptores de 3 vías existentes. Un cable o alambre de conexión a neutro también debe estar presente en ambas cajas de conexiones.

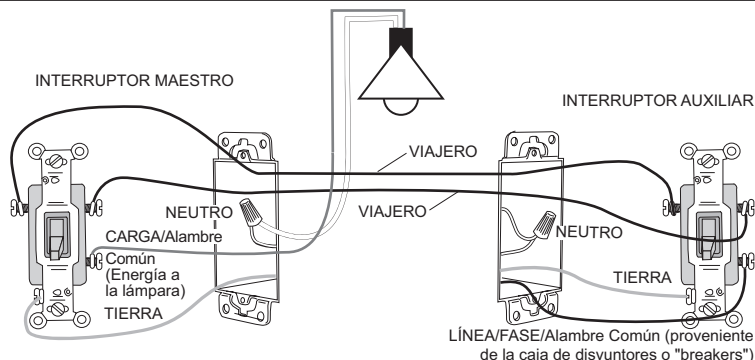


Fig. 2: Conexión típica de dos interruptores de 3 vías

ADVERTENICA

Por su propia seguridad: el conectar el sensor apropiadamente a tierra provee protección contra un choque eléctrico que pueda ocurrir en caso de una operación defectuosa. Si no hay disponibilidad de una conexión a tierra consulte con un electricista calificado antes de continuar con la instalación.

3. Prepare los cables.

Ponga algún identificador en cada uno de los cables actualmente existentes en las cajas de conexiones de tal forma que pueda identificarlos posteriormente. Desconecte los cables. Asegúrese de que el aislante del cable se encuentra pelado apropiadamente para exponer el interior de alambre de cobre a un largo de aproximadamente 1/2 pulgada y de acuerdo a como se indica en esta guía de longitud Fig. 3.

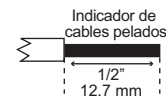


Fig. 3: Pelado apropiado del cable

4. Conecte el sensor.

Tuerza conjuntamente los cables existentes en la caja de conexiones con los cables del sensor RH-250 utilizando los conectores ("wire nuts") provistos de acuerdo a los pasos 4a o 4b.

a. Cableado de dos RH-250s en una configuración tipo 3 vías.

- Conecte el cable verde (o alambre de cobre sin aislante) que conecta a TIERRA a la terminal verde de cada RH-250.
- Conecte el cable de conexión a NEUTRO del circuito y de la lámpara o ventilador (CARGA) al cable blanco del RH-250 denominado como "maestro". Conecte un cable de conexión a neutro al cable blanco del otro RH-250 denominado como "auxiliar".
- **El término "maestro" es utilizado acá únicamente para designar el sensor que esta conectado directamente a la carga controlada.**
- Conecte el cable de LINEA (o FASE) del circuito al cable negro del RH-250 auxiliar y al cable VIAJERO 1.
- Conecte el cable VIAJERO 1 proveniente del cable negro del RH-250 auxiliar al cable negro del RH-250 maestro.
- Conecte el cable que alimenta la lámpara o ventilador (CARGA) al cable rojo del RH-250 maestro.
- Por seguridad, ponga un conector ("wire nut") al cable rojo del RH-250 auxiliar que NO conecta a una carga.
- Conecte los cables amarillos de los dos RH-250 mediante el cable VIAJERO 2.

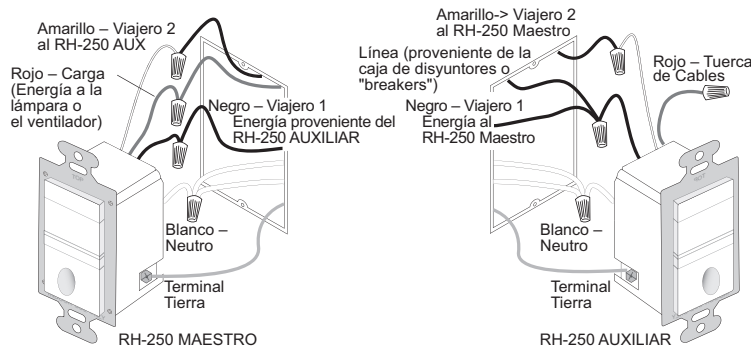


Fig. 4 : Paso 4a. Orientación del sensor, conexión de cables y montaje del producto en la caja de conexiones

b. Conexión de un RH-250 y un interruptor momentáneo unipolar RS-253 en una configuración tipo 3 vías para control manual de encendido/apagado desde dos ubicaciones.

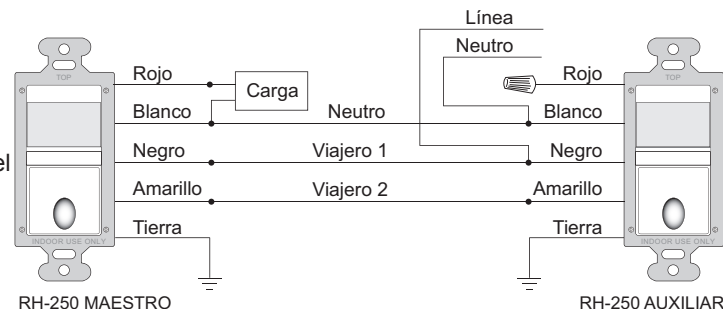


Fig. 5 Paso 4a. Diagrama de conexión de referencia

IMPORTANTE: El RH-250 debe ser instalado en la caja de conexiones que conecta con la carga.

- Conecte el cable verde (o alambre de cobre sin aislante) que conecta a TIERRA a la terminal verde del RH-250 y del RH-253.
- Conecte el cable de conexión a NEUTRO del circuito y de la lámpara o ventilador (CARGA) al cable blanco del RH-250.
- Conecte el cable de LINEA (o FASE) del circuito a una terminal del interruptor momentáneo unipolar RH-253 y al cable VIAJERO 1.
- Conecte el cable VIAJERO 1 proveniente de la caja de conexiones del RH-253 al cable negro del RH-250 maestro.

- Conecte el cable que alimenta la lámpara (CARGA) al cable rojo del RH-250.
 - Conecte el cable VIAJERO 2 a la otra terminal del RH-253 y al cable amarillos del RH-250
5. **Coloque los RH-250s (y RH-253s) dentro de las cajas de conexiones.**
El lente debe quedar posicionado arriba del botón. Asegure cada uno de los sensores a su respectiva caja con los tornillos provistos.
 6. **Reactive la corriente eléctrica en el circuito.**
Encienda el disyuntor (breaker) del circuito o reinstale el fusible.
 7. **Revise la sección de CONFIGURACION & PROGRAMACION DEL SENSOR.**
Si desea modificar la configuración uno o varios, siga las instrucciones de la sección de CONFIGURACION & PROGRAMACION DEL SENSOR.
 8. Monte la(s) nueva(s) placa(s) decorativa(s) (no incluida).

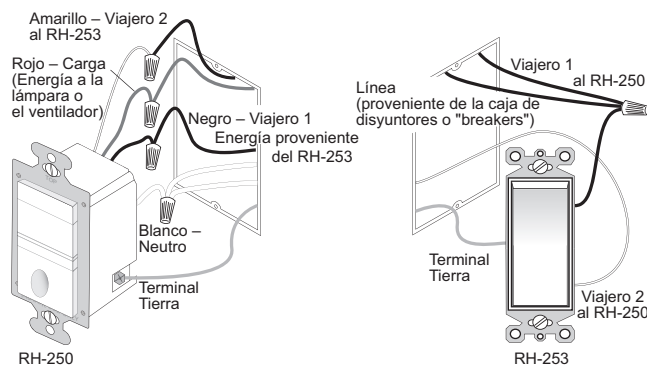


Fig. 6 : Paso 4b. Orientación del sensor y conexión tipo 3 vías con un RH-253

Retardo Inicial de Operación

Existe un periodo de tiempo, inmediatamente después de que se habilita la corriente al sensor, ya sea durante su instalación inicial o después de una falla de corriente que dure más de 5 minutos, durante el cual el sensor no encenderá la carga automáticamente si este se encuentra en Modo de operación 2 (ENCENDIDO/APAGADO Automático). Esto se debe a un periodo de calentamiento inicial necesario que puede durar hasta 1 minuto. Durante este intervalo de tiempo, sin embargo, continúa siendo posible el encender o apagar las luces manualmente con solo presionar el botón de ENCENDIDO/APAGADO.

Para conectar hasta cuatro interruptores momentáneos unipolares RH-253 a un RH-250, conéctelos en paralelo como se muestra acá.

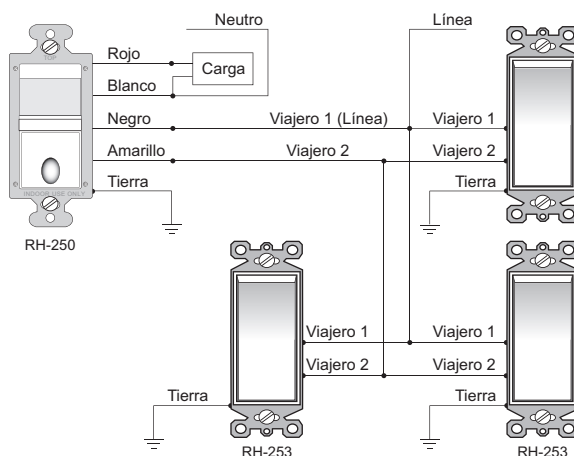


Fig. 7 : Paso 4b. Diagrama de conexión para operación multi-ubicación utilizando varios RH-253 (hasta un máximo de 4).

CONFIGURACIÓN Y PROGRAMACIÓN DEL SENSOR

Para configurar el sensor RH-250 usted debe utilizar los controles ubicados detrás del botón de ENCENDIDO/APAGADO. Es necesario desmontar la placa decorativa para obtener acceso al Botón de Selección de Modos y a las Perillas de Ajuste.

Se recomienda que todos los RH-250 en una conexión de 3 o 4 vías estén configurados con el mismo valor de Retardo de Tiempo de Apagado y en el mismo modo de operación.

1. Tome la Barra de Seguridad firmemente por ambos extremos y jálala hacia afuera delicadamente. No trate de despegarla completamente del sensor!
2. Tome firmemente el botón de ENCENDIDO/APAGADO por ambos extremos y deslícelo hacia abajo aproximadamente 1/2 pulgada de tal forma que el Botón de Selección de Modos y las Perillas de Ajuste queden expuestas.

Selección del Modo de Operación

Seleccione el Modo de Operación presionando el Botón de Selección de Modos. El LED color ámbar ubicado detrás del botón de ENCENDIDO/APAGADO parpadeará en un patrón determinado que le indicará el modo seleccionado. El LED repetirá el patrón seleccionado tres veces:

- Un solo parpadeo indicará Modo 1 (Operación como Sensor de Desocupación), ENCENDIDO/APAGADO manual, APAGADO automático.
- Dos parpadeos consecutivos indicarán Modo 2 (Operación como Sensor de Ocupación), ENCENDIDO/APAGADO automático con control manual y retorno a ENCENDIDO Automático después de 5 minutos de desocupación.

Para cambiar de modo, presione el Botón de Selección de Modos: una sola vez para Modo 1 ó dos veces para Modo 2. El LED parpadeará una ó dos veces, según sea Modo 1 ó Modo 2. El LED repetirá el patrón seleccionado tres veces. Después de eso, la unidad estará programada para operar en el modo seleccionado.

Ajuste del Retardo de Apagado

Gire la perilla izquierda en dirección contraria a las manecillas del reloj para reducir el tiempo que permanecerá encendida la carga después de la última detección de movimiento (valor mínimo = 15 segundos). Gire la misma perilla en sentido de las manecillas del reloj para incrementar el Retardo de Apagado (valor máximo = 30 minutos). Usted puede seleccionar solo los siguientes valores: 15 segundos/ 5 minutos/15 minutos/30 minutos.

Advertencia: No sobregire la perilla de ajuste del Retardo de Apagado!

Ajuste del Nivel de Luz Natural

Esta función vendrá configurada de fábrica a su valor máximo de tal forma que aun la luz natural más brillante no evitará que el sensor ENCIENDA la carga cuando este detecte ocupación. Si no se requiere de esta función, deje el ajuste de Nivel de Luz Natural en su valor máximo.

El ajuste del nivel de luz natural debe realizarse en un determinado momento en el que exista suficiente luz natural como para que usted considere innecesario mantener encendida la luz artificial.

1. Coloque todos los RH-250s en Modo de Operación 1 (Encendido Manual) excepto aquel que usted desee ajustar. Coloque este último en Modo de Operación 2 (Encendido Automático).
2. Reduzca el tiempo de retardo de apagado a 15 segundos.
3. Mueva la perilla de Ajuste de Nivel de Luz Natural a su valor mínimo (completamente en sentido contrario a las manecillas del reloj) en el RH-250 que usted este ajustando. Salga de la habitación y deje que el sensor apague las luces después del retardo de apagado de 15 segundos. Espere 30 segundos más.
4. Ingrese nuevamente a la habitación tratando de no crear una sombra sobre el sensor. Esta vez, las luces deben permanecer apagadas. Gire la perilla de Ajuste de Nivel de Luz Natural en pequeños incrementos en sentido de las manecillas de reloj. Después de cada ajuste,

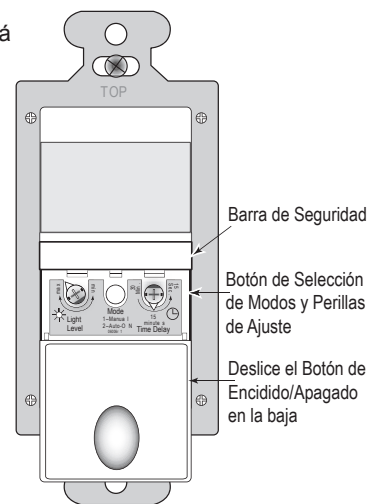


Fig. 8 : Controles de ajuste

espere entre 5 y 10 segundos para ver si las luces se encienden. Continúe con este procedimiento hasta que las luces se enciendan. A este valor de ajuste, las luces no se encenderán automáticamente con la detección de ocupación si la cantidad de luz natural es mayor a la existente actualmente.

- Repita este proceso (empezando con el paso 1) para cada RH-250 en su cableado tipo 3 o 4 vías hasta que el Nivel de Luz Natural haya sido ajustado apropiadamente en cada uno de los sensores.
- Cuando usted haya terminado de ajustar el Nivel de Luz natural para todos los RH-250, regréselos a Modo de Operación 2.
- Reajuste el tiempo de retardo de apagado al valor deseado en todos los sensores.

Advertencia: No sobrepase la perilla de ajuste del Nivel de Luz Natural!

MODO DE PRUEBA

Para probar la cobertura del sensor:

- Oprima y mantenga oprimido el botón de ENCENDIDO/APAGADO. Después de transcurridos 10 segundos el interruptor iluminado parpadeará. La carga se encenderá si no estaba ya encendida. El sensor se encuentra ahora en modo de PRUEBA, el cual durará 5 minutos (usted puede sacar el sensor de modo de PRUEBA en cualquier momento presionando el botón de ENCENDIDO/APAGADO por otros 10 segundos más). Durante el modo de PRUEBA, la carga controlada por el sensor se encenderá por 5 segundos cada vez que el sensor detecta movimiento.
- Movílese fuera del área de cobertura o permanezca inmóvil. La carga controlada se apagará después de 5 segundos si el sensor no detecta movimiento.
- Movílese dentro del área de cobertura. La carga controlada se encenderá por 5 minutos cada vez que el sensor detecte movimiento. Después de transcurridos 5 segundos de no detección, la carga se apagará. La carga se encenderá automáticamente con la próxima detección y se mantendrá encendida por otros 5 segundos.
- Repita según sea necesario para asegurarse que el área que se desea cubrir con el sensor se encuentra dentro del rango de cobertura del mismo.

Usted puede realizar esta prueba para cada uno de los RH-250s en su cableado tipo 3 o 4 vías. De tal forma que usted pueda corroborar adecuadamente el patrón de cada sensor individualmente, solo el RH-250 que esta en Modo de Prueba controlara la carga.

SOLUCION DE PROBLEMAS

La carga no se enciende cuando usted presiona el botón de ENCENDIDO/APAGADO y el botón no está iluminado:

- Asegúrese de que el disyuntor (breaker) del circuito funcione y que se encuentre encendido.

La carga no se enciende cuando usted presiona el botón de ENCENDIDO/APAGADO, pero el botón sí está iluminado:

- Si al presionar el botón de ENCENDIDO/APAGADO la carga no se enciende, revise el bombillo (lámpara incandescente) y/o el interruptor del motor del ventilador.

La carga no se apaga automáticamente:

- Presione el botón de ENCENDIDO/APAGADO. Si la carga se apaga, prosiga con el siguiente paso.
- El tiempo del retardo de apagado puede ser configurado desde 15 segundos hasta 30 minutos. Corrobore el valor de Retardo de Apagado en cada RH-250. Asegúrese de que todos los RH-250 tienen el mismo valor.
- Asegúrese de que no haya movimiento a detectar dentro del área de detección cubierta por cada uno de los sensores hasta que su intervalo de Retardo de Apagado haya transcurrido. Corrientes de aire caliente y radiadores de calor pueden ocasionar falsas detecciones. Asegúrese que cada sensor se encuentra alejado al menos 6 pies (2 metros) de dispositivos que sean fuentes considerables de calor (por ejemplo: radiadores, salidas de aire caliente, lámparas de alta potencia).

La carga no se enciende automáticamente cuando el área es ocupada y los sensores están configurados para operar en Modo 2 (el Botón en cada uno de ellos sí está iluminado):

- Presione el botón de ENCENDIDO/APAGADO. Si la carga controlada se enciende, revise la configuración del Nivel de Luz Natural. Esta función puede evitar que el sensor (o sensores) encienda(n) la carga en forma automática. Asegúrese de que ninguno de los lentes de los RH-250s está siendo obstruido y de que usted se encuentra dentro del área de cobertura de al menos uno de ellos.
- Si al presionar el botón de ENCENDIDO/APAGADO la carga no se enciende, revise el bombillo (lámpara incandescente) y/o el interruptor del motor del ventilador.
- Si la carga no se comporta apropiadamente después de haber realizado los pasos anteriores, desconecte la corriente al circuito desde el disyuntor (breaker) y revise las conexiones de los cables o llame al 800.879.8585 para recibir asistencia técnica.

PLACAS DECORATIVAS

Utilice placas decorativas estándar con los sensores RH de WattStopper.

WARRANTY INFORMATION

Wattstopper warrants its products to be free of defects in materials and workmanship for a period of five (5) years. There are no obligations or liabilities on the part of Wattstopper for consequential damages arising out of, or in connection with, the use or performance of this product or other indirect damages with respect to loss of property, revenue or profit, or cost of removal, installation or reinstallation.

INFORMATIONS RELATIVES À LA GARANTIE

Wattstopper garantit que ses produits sont exempts de défauts de matériaux et de fabrication pour une période de cinq (5) ans. Wattstopper ne peut être tenu responsable de tout dommage consécutif causé par ou lié à l'utilisation ou à la performance de ce produit ou tout autre dommage indirect lié à la perte de propriété, de revenus, ou de profits, ou aux coûts d'enlèvement, d'installation ou de réinstallation.

INFORMACIÓN DE LA GARANTÍA

Wattstopper garantiza que sus productos están libres de defectos en materiales y mano de obra por un período de cinco (5) años. No existen obligaciones ni responsabilidades por parte de Wattstopper por daños consecuentes que se deriven o estén relacionados con el uso o el rendimiento de este producto u otros daños indirectos con respecto a la pérdida de propiedad, renta o ganancias, o al costo de extracción, instalación o reinstalación.