



Wattstopper®

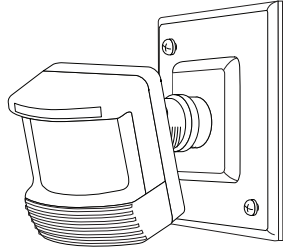
DLM - Occupancy Sensor PIR Corner Mount With One-Way Aisle Lens

No: 24782 – 09/16 rev. 1

Installation Instructions • Instructions d'Installation • Instrucciones de Instalación

Catalog Number • Numéro de Catalogue • Número de Catálogo: LMPX-100-4

Country of Origin: Made in China • Pays d'origine: Fabriqué en Chine • País de origen: Hecho en China
LMPX-100-4-U is BAA and TAA compliant (Product produced in the U.S.)



This unit is pre-set for Plug n' Go™ operation, adjustment is optional.

For full operational details, adjustment and more features of the product, see the DLM System Installation Guide provided with Wattstopper room controllers, and also available at www.legrand.us/wattstopper.

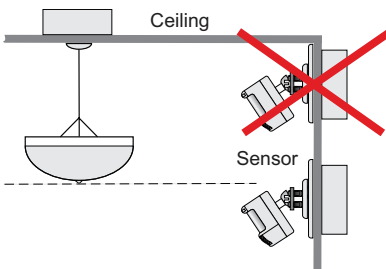
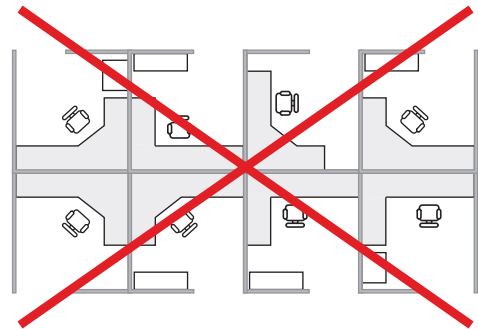
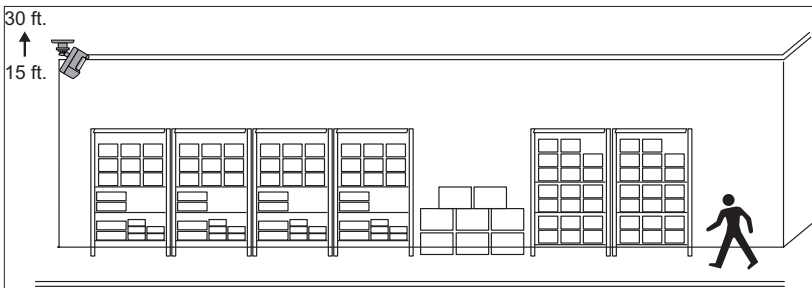
Installation shall be in accordance with all applicable regulations, local and NEC codes. Wire connections shall be rated suitable for the wire size (lead and building wiring) employed.

For Class 2 DLM devices and device wiring: To be connected to a Class 2 power source only. Do not reclassify and install as Class 1, or Power and Lighting Wiring.

SPECIFICATIONS

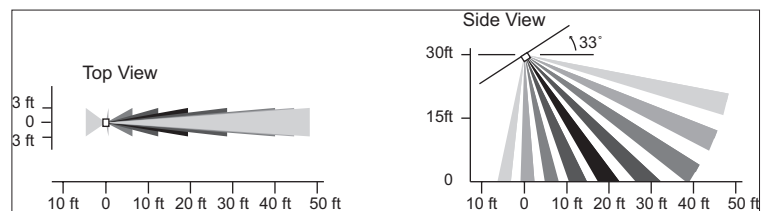
Voltage	24VDC
Current Consumption	7mA
Power Supply	Wattstopper Room Controllers
Connection to the DLM Local Network.....	RJ-45 plug
DLM Local Network characteristics when using LMRC-11x/2xx room controllers:	
Low voltage power provided over Cat 5e cable (LMRJ); max current 800mA. Supports up to 64 load addresses, 48 communicating devices including up to 4 LMRC-10x series and/or LMPL-101 controllers.	
Free topology up to 1,000' max.	
Environment	For Indoor Use Only
Operating Temperature	32° to 131°F (0° to 55°C)
Storage Temperature	23° to 176°F (-5° to 80°C)
Relative Humidity	5 to 95% (non condensing)
Patent Pending	

SENSOR PLACEMENT



COVERAGE PATTERN

Coverages shown are maximum and represent half-step walking motion.

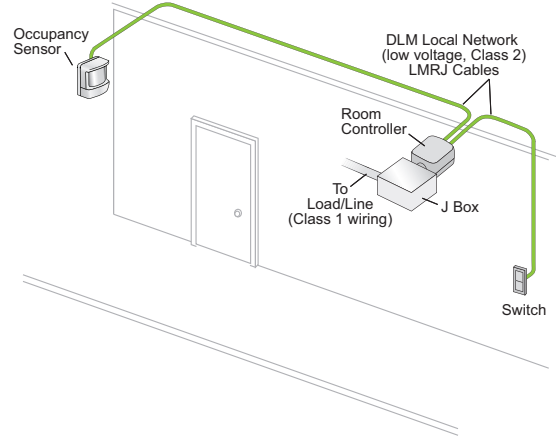
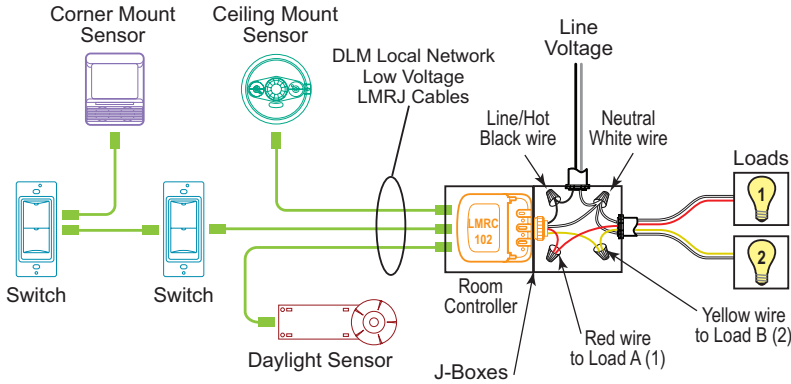


CONNECTIVITY

The illustrations below show examples of free-topology wiring. The LMPX-100-4 communicates to all other Digital Lighting Management devices connected to the low voltage DLM Local Network, regardless of their position on the DLM Local Network.



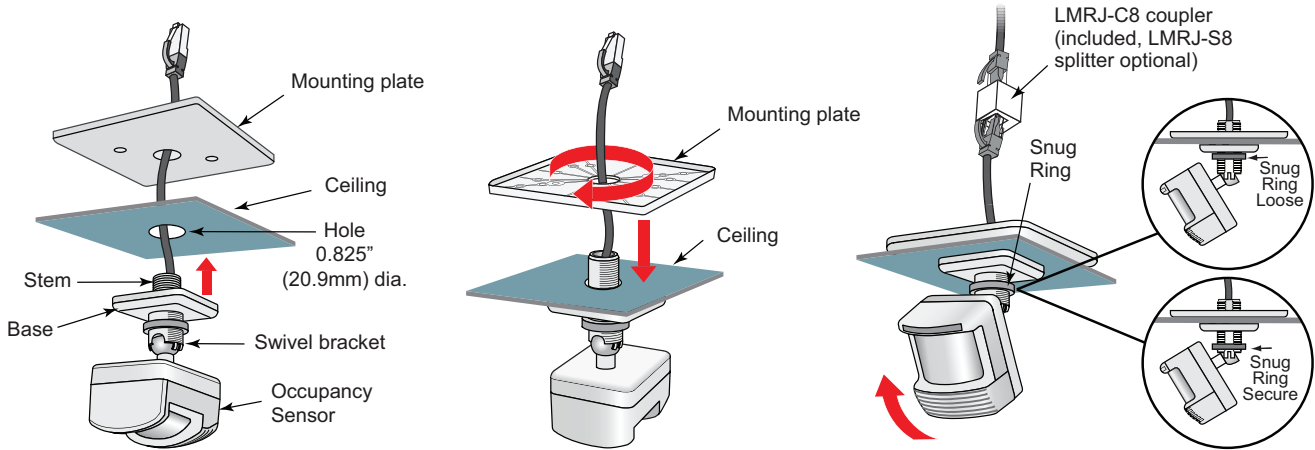
CAUTION: TO CONNECT A COMPUTER TO THE DLM LOCAL NETWORK USE THE LMCI-100. NEVER CONNECT THE DLM LOCAL NETWORK TO AN ETHERNET PORT – IT MAY DAMAGE COMPUTERS AND OTHER CONNECTED EQUIPMENT.



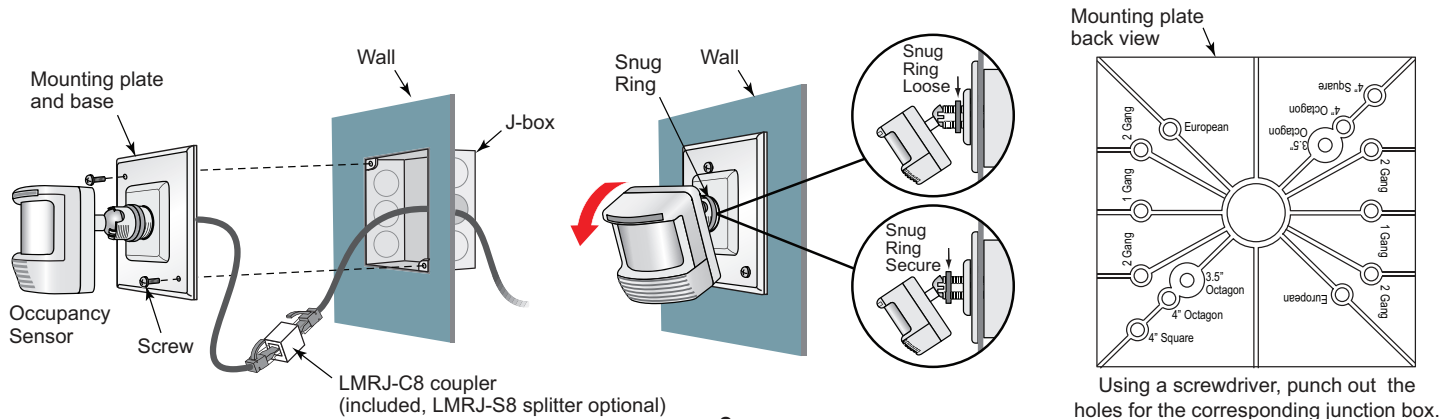
MOUNTING

WARNING: Do Not Install To Cover a Junction Box Having Class 1, 3 or Power and Lighting Circuits.

Through Ceiling Tile:




Through Wall:






FACTORY PRE-SET OPERATION

Sensor Parameters

T-DELAY	Time Delay	20 minutes
	Passive Infrared Sensitivity	90%
WT	Walk-Through	OFF

Load Parameters

	 Load 1	 Loads 2-8 or more**	 Plug Load
ON Mode Operation*	AUTO-ON	MANUAL-ON if switch is used. AUTO-ON if switch is not used.	AUTO-ON
Blink Warning	OFF	OFF	OFF
Daylighting	ON	OFF	OFF

NOTE: *Auto-OFF is enabled according to the sensor Time Delay when a sensor is bound to the load, regardless of whether the load was turned on automatically with occupancy or manually using a switch.

** Max 8 loads using LMRC-100 series room controllers.

TROUBLESHOOTING

Loads do not operate as expected.

LEDs don't light, display is off	<ol style="list-style-type: none"> 1. Check to see that the sensor is connected to the DLM local Network. 2. Check for 24VDC input to the sensor: Plug in a different DLM device at the sensor location. If the device does not power up, 24VDC is not present. <ul style="list-style-type: none"> • Check the high voltage connections to the room controller. • If high voltage connections are good and high voltage is present, recheck DLM local Network connections between the sensor and the room controller.
The wrong lights are controlled	Configure the sensor to control the desired lights using the Push n' Learn adjustment procedure.
LEDs turn ON and OFF but load doesn't switch	<ol style="list-style-type: none"> 1. Make sure device is not in PnL. 2. Check load connections to room controller.

WARRANTY INFORMATION

Wattstopper warrants its products to be free of defects in materials and workmanship for a period of five (5) years. There are no obligations or liabilities on the part of Wattstopper for consequential damages arising out of, or in connection with, the use or performance of this product or other indirect damages with respect to loss of property, revenue or profit, or cost of removal, installation or reinstallation.

INFORMATIONS RELATIVES À LA GARANTIE

Wattstopper garantit que ses produits sont exempts de défauts de matériaux et de fabrication pour une période de cinq (5) ans. Wattstopper ne peut être tenu responsable de tout dommage consécutif causé par ou lié à l'utilisation ou à la performance de ce produit ou tout autre dommage indirect lié à la perte de propriété, de revenus, ou de profits, ou aux coûts d'enlèvement, d'installation ou de réinstallation.

INFORMACIÓN DE LA GARANTÍA

Wattstopper garantiza que sus productos están libres de defectos en materiales y mano de obra por un período de cinco (5) años. No existen obligaciones ni responsabilidades por parte de Wattstopper por daños consecuentes que se deriven o estén relacionados con el uso o el rendimiento de este producto u otros daños indirectos con respecto a la pérdida de propiedad, renta o ganancias, o al costo de extracción, instalación o reinstalación.
