

PIR WALL SWITCH OCCUPANCY SENSORS

LMPW-100 SERIES

Passive infrared sensor with control button(s) to switch or dim selected load(s)

Component of Digital Lighting Management integrated control system

Quick access to Push n' Learn for system personalization



Digital sensor with LCD display and programming pushbuttons

IR transceiver for wireless configuration and remote control

Plug to other components using Cat 5e cables with RJ45 connectors eliminating wiring errors



DESCRIPTION

LMPW-100 Series PIR Wall Switch Occupancy Sensors use passive infrared (PIR) technology to detect occupancy for energy-efficient control of lighting and plug loads. They also include one or two switch buttons for manual control of selected loads, and are part of a Wattstopper Digital Lighting Management (DLM) system.

OPERATION

LMPW-100 Series sensors operate on Class 2 power supplied to a DLM local network by one or more DLM room controllers. They work with the room controller(s) to control loads based on occupancy. Default operation is automatically established by Plug n' Go, which recognizes the device as both an occupancy sensor and a switch. The sensor and switch button functionality and load assignments will be the same as stand-alone sensors and switches. A system with one load defaults to manual-on, while a system with two or more loads defaults to auto-on for load 1 and manual on for other loads. Initially, all occupancy sensors control all loads, and all switches provide multi-way control of all loads. Two-button units can be programmed so that one button raises the level of a dimmed load, and the other button lowers the level.

FEATURES

- Plug n' Go™ automatic configuration for quick installation and maximum energy savings
- Push n' Learn™ functionality for customization without the need for tools or a PC
- Infrared (IR) transceiver for wireless configuration and control
- Sleek single gang devices fit decorator wall plates; 1- and 2-button models; six color options
- Sensors may be used for multi-way control
- Each switch button can be used to raise or lower load levels
- Each switch button can control individual or multiple loads, or one scene; LED indicates status
- Detection Signature Processing eliminates false triggers and provides immunity to RFI and EMI
- Sensor coverage tested to NEMA Guide Publication WD 7-2000
- The product meets the materials restrictions of RoHS
- BAA/TAA-compliant models available

PROJECT

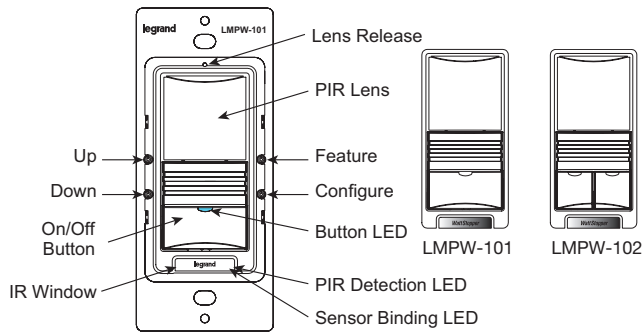
LOCATION/
TYPE

SPECIFICATIONS

- Input voltage: 24VDC from DLM network
- Current consumption: 8mA
- DLM local network connection: 2 RJ45 ports
- 1 or 2 switch buttons, each with LED status indicator
- Scrolling LCD display and pushbuttons for setting sensor and system parameters
- Infrared (IR) transceiver
- Operating conditions: for indoor use only; 32-131°F (0-55°C); 5-95% RH, non-condensing
- UL and cUL listed
- FCC part 15 compliant
- Five year warranty

CONTROLS & SETTINGS

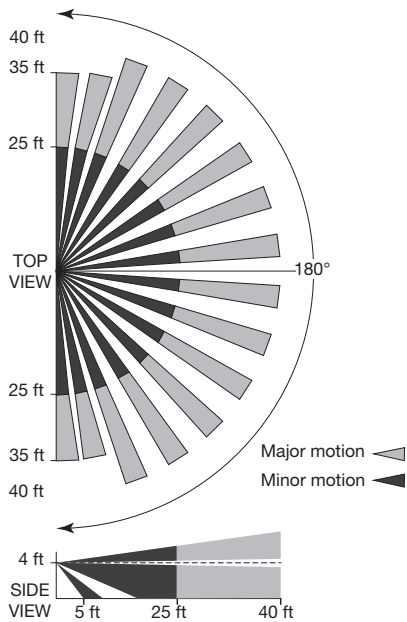
Product Controls, Models and Sensor Settings



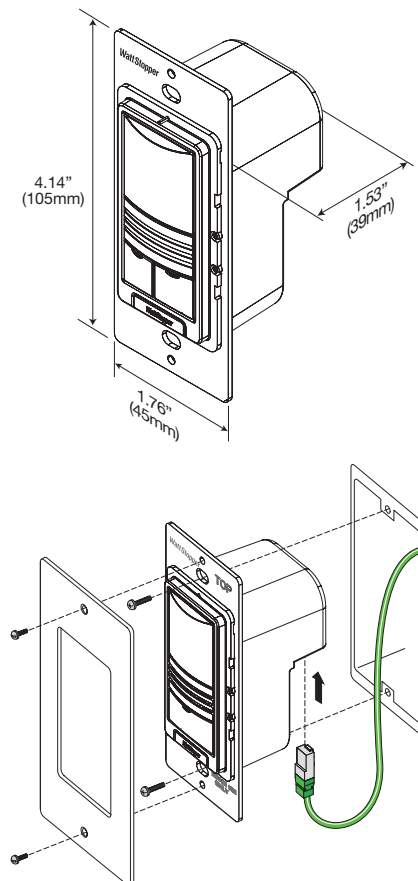
Sensor Parameter	Available Options	Default Setting
Time Delay	1-30 min. (1 min. increments) / Override	20 minutes
Walk Thru	On/Off	Off
PIR Sensitivity	10-100% (10% increments)/Off	90%
Test Mode	Activate	Off

COVERAGE & MOUNTING

Coverage Patterns



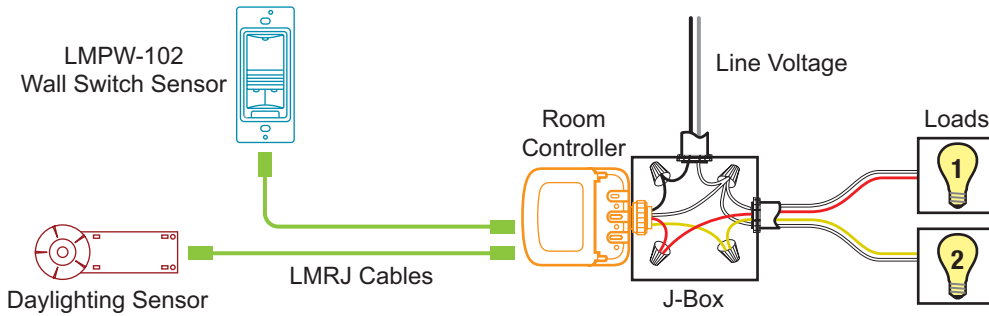
Product Dimensions and Mounting



LMPW-100 Series Wall Switch Occupancy Sensors fit in standard gang boxes, or in a four square box with a one or two gang mud ring.

WIRING

Sample Connection Diagram



Plug DLM local network components together in any configuration using Cat 5e cables with RJ45 connectors.

ORDERING INFORMATION

Catalog #		Color	Description
<input type="checkbox"/>	LMPW-101-W	White	1-button Digital PIR Wall Switch Occupancy Sensor
<input type="checkbox"/>	LMPW-101-LA	Light Almond	
<input type="checkbox"/>	LMPW-101-I	Ivory	
<input type="checkbox"/>	LMPW-101-G	Gray	
<input type="checkbox"/>	LMPW-101-B	Black	
<input type="checkbox"/>	LMPW-101-R	Red	
<input type="checkbox"/>	LMPW-101-W-U	White	1-button Digital PIR Wall Switch Occupancy Sensor, BAA/TAA compliant*
<input type="checkbox"/>	LMPW-101-I-U	Ivory	
<input type="checkbox"/>	LMPW-102-W	White	2-button Digital PIR Wall Switch Occupancy Sensor
<input type="checkbox"/>	LMPW-102-LA	Light Almond	
<input type="checkbox"/>	LMPW-102-I	Ivory	
<input type="checkbox"/>	LMPW-102-G	Gray	
<input type="checkbox"/>	LMPW-102-B	Black	
<input type="checkbox"/>	LMPW-102-R	Red	
<input type="checkbox"/>	LMPW-102-W-U	White	2-button Digital PIR Wall Switch Occupancy Sensor, BAA/TAA compliant*
<input type="checkbox"/>	LMPW-102-I-U	Ivory	
<input type="checkbox"/>	LMCT-100-2		Digital Wireless Configuration Tool

*Product is compliant with Buy American Act and Trade Agreements Act

Wall switch sensors do not include face plates. Order decorator style plate separately.