



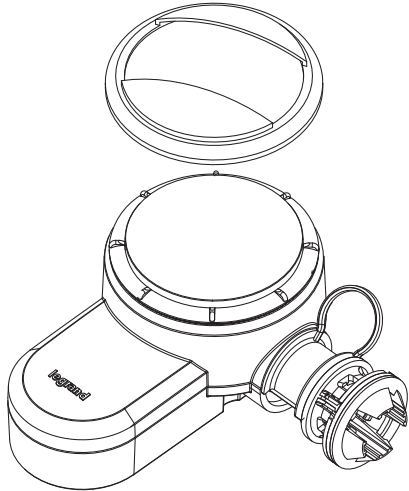
Wattstopper®

High Bay, Line Voltage, 0-10V Passive Infrared Occupancy Sensor
Détecteur de mouvement infrarouge passif, Tension de ligne 0–10V, Grande hauteur
Montaje alto, Voltaje de línea, 0–10V, Sensor de ocupación infrarrojo pasivo
Installation Instructions • Instructions d'Installation • Instrucciones de Instalación

No: 27549 – 06/18 rev. 2

Catalog Numbers • Les Numéros de Catalogue • Los Números de Catálogo: HBP-212

Country of Origin: Made in China • Pays d'origine: Fabriqué en Chine • País de origen: Hecho en China



SPECIFICATIONS

Voltage	120V/277V, 50/60Hz
.....	230–240V, 50/60Hz, Single Phase
Load Ratings	
@ 230-240V	0–300W Ballast or LED Driver
@ 120V	0–800W Tungsten, Ballasts or LED Driver
@ 277V	0–1200W Ballast or LED Driver
Motor @ 120V/277V	1/6 HP
Operating Temperature	-40°F (-40°C) to 158°F (70°C)
Dimensions.....	4.43”L x 3.52”W x 2.19”H 112.4mm x 89.4mm 55.7mm
Weight.....	6.56 oz (186g)
Time Delay Adjustment	30 seconds–30 minutes

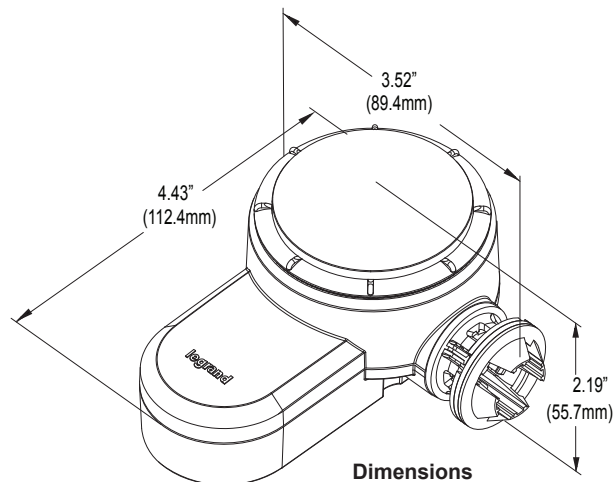
DESCRIPTION AND OPERATION

The HBP-212 occupancy sensor is designed for automatic lighting control in warehouse high bay applications with a 0–10V output dimmable ballast or LED driver control.

The HBP-212 has a photocell to read the light level and can continuously raise or lower the dimming level of the lighting loads, based on the ambient light and the desired light level setting.

The HBP-212 operates at 120V/230V-240V Single Phase/277V. It is designed to be installed in indoor and outdoor environments, and provides easy to use selectable modes with several adjustable parameters.

The HBP-212 offers four different control modes of operation, (plus service and test modes) that can be selected using a rotary trimpot. Once powered up, each mode has a factory default set of parameters. Additionally, sensor adjustment is available for time delay and high/low dim levels via rotary trimpots.



LENS COVERAGE

The HBP-212 occupancy sensors are modular, consisting of two parts, a Sensor Module and a Lens. When used with the HBP-L7 lens, the sensors are optimal for mounting heights of 20' to 40'. There is an optional masking accessory for aisle way applications. Snap it on and rotate to the desired position.

Lens and sensors are indoor rated and are ideal for warehouse spaces. Avoid placing the sensor where shelving or other obstructions may block the sensor's line of sight.

Passive Infrared Sensing in Warehouses

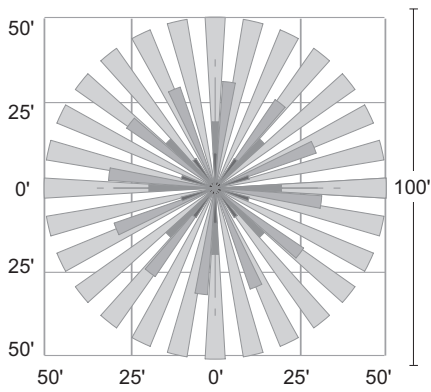
Warehouses can have ambient temperature variations that may affect sensor detection and coverage areas. High temperatures at the covered area (above 80°F) reduce the detection zone of the sensor. Consider adding more sensors if the ambient temperatures are expected to be high. Additionally, high floor level temperature may require larger movement for detection. In some cases, sensors mounted above 40' may only detect large heat signatures such as forklift trucks. See the Best Practices Guide for Warehouse at www.legrand.us for more information.

NOTE: Length is 4.2” (106.6mm) before retaining clip is removed and snap-in nipple is collapsed.

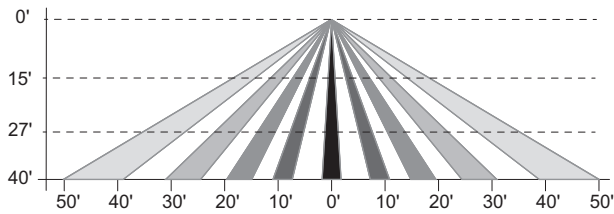
HBP-L7: 360° Coverage

The HBP-L7 has a lens that covers a 100' diameter area at a height of 40'.

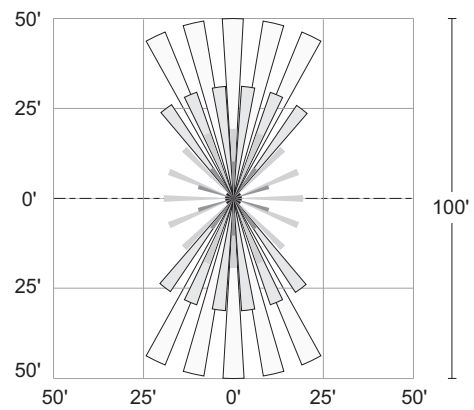
Coverage Top View @ 40'



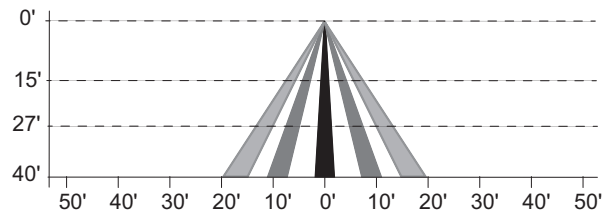
Standard Coverage Side View



Coverage Top View @ 40' with Masking



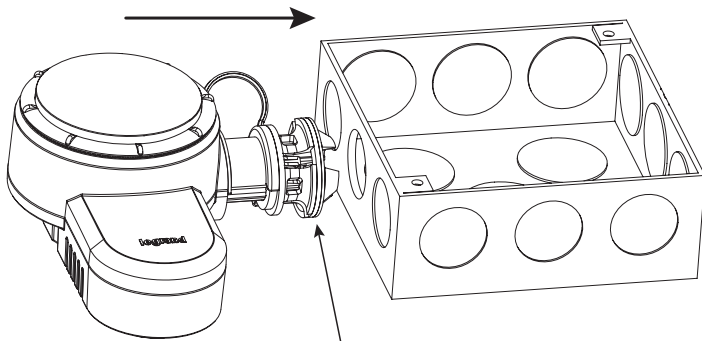
Side View with Masking



MOUNTING OPTIONS

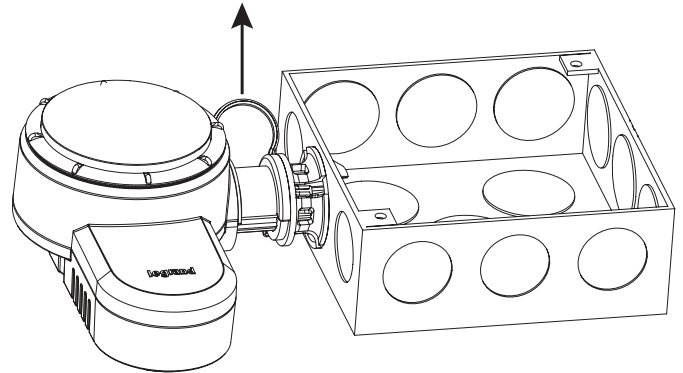
The HBP series sensors feature a snap-in nipple design that provides quick, easy mounting, and secure attachment to a junction box or fixture. The optional extender module (HBP-EM1) can be used to lower the sensor by up to 4 inches. The extender module provides several mounting height options through the use of simple knock outs. Refer to the HBP-EM1 installation instructions for further details.

- 1 Push HBP into fixture or junction box to snap into place.

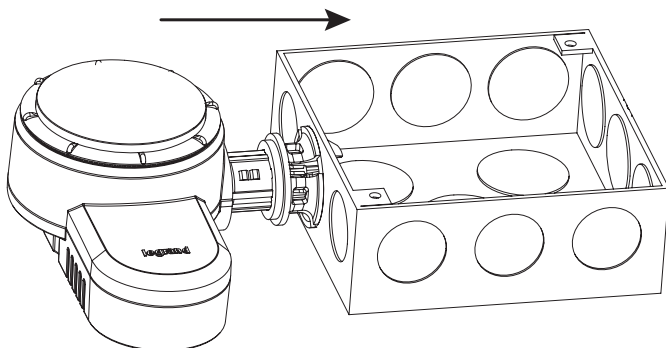


Washers can be removed as needed to accommodate thickness of fixture wall.

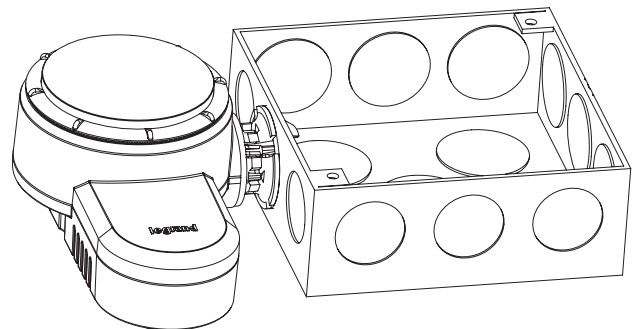
- 2 Remove retaining clip by pulling handle.



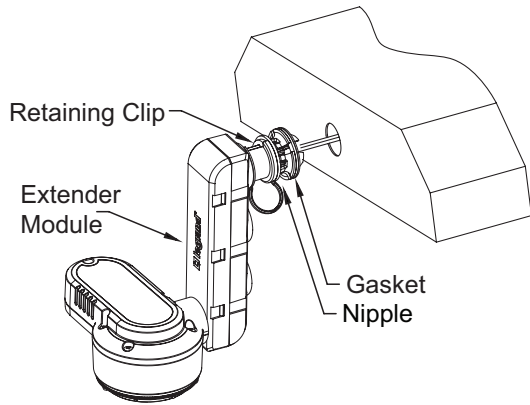
- 3 Push HBP into fixture or junction box to secure.



- 4 HBP secured to fixture or junction box



Using the HBP-EM1 Extender Module

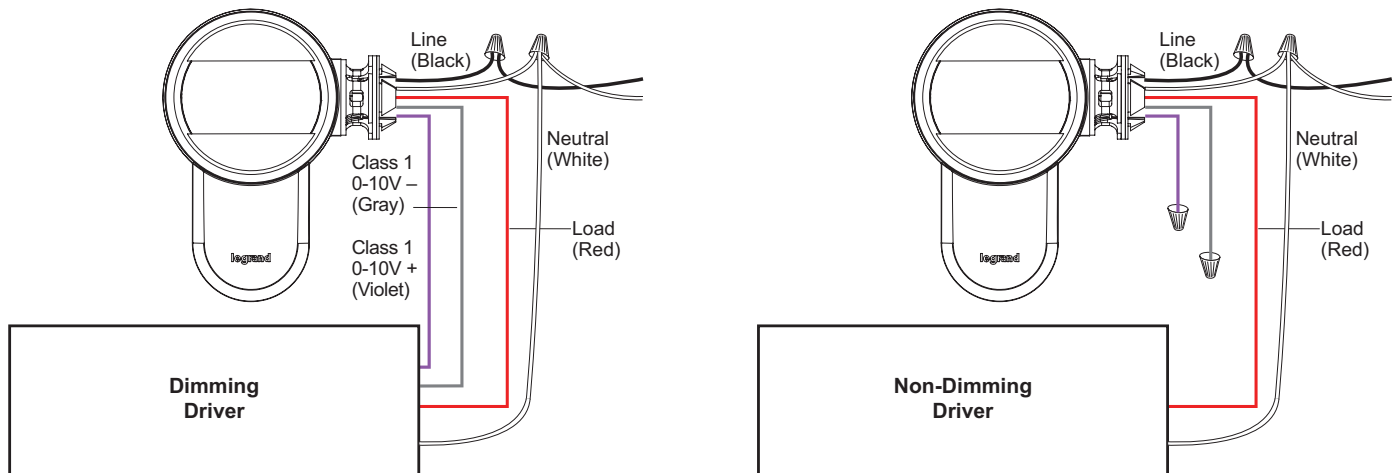


WARNING: TURN THE POWER OFF AT THE CIRCUIT BREAKER BEFORE WIRING.

INSTALLATION

1. Determine the mounting location appropriate to the features of the sensor and the coverage area. Careful consideration must be given to sensor placement. Avoid placing the sensor where the edge of the fixture, shelving or other obstructions may block the sensor's line of sight. Mount the sensor below the edge of the fixture and away from the fluorescent lamps so that the heat from the lamps does not affect the sensor.
2. Make sure that you have the appropriate accessories for the sensor mounting configuration. (See Mounting Options.)
3. Assemble any necessary mounting accessories and attach them to the sensor, making sure that the flying leads from the power module are accessible.
4. Connect the line voltage and load wires to the sensor leads as shown in the Wiring Diagram for the unit's application.
 - Do not allow bare wire to show.
 - Make sure all connections are secure.
5. Restore power from the circuit breaker.

WIRING



CONTROL MODES

Twist the lens counter clockwise to remove the lens and access the rotary trimports that control the HBP-212 behavior. The HBP-212 has five selectable modes, each of which has preset parameter settings. Once the mode is selected, you have the ability to further customize operation by adjusting the Set and the Time rotary trimports.

Select the **Mode** and adjust the other rotary trimports using a small screwdriver.

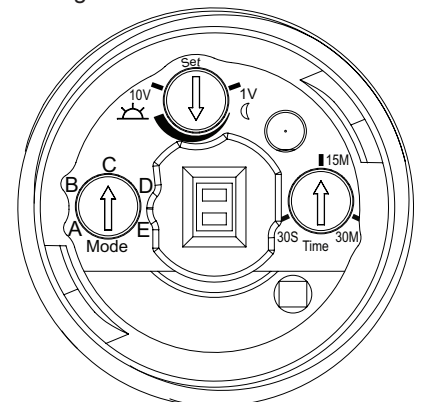
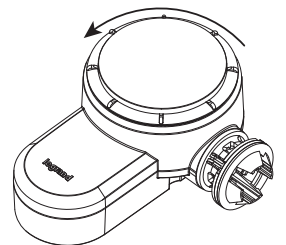
NOTE: A sixth mode, Test mode, is accessed automatically when mode A is selected. See page 5 for details.

Set – This rotary trimpot is used to adjust three different parameters, depending on the current mode: **Desired Light Level** (in foot candles), **Hold Off Setpoint**, and **High Trim**.

- The HBP-212 has a photocell which measures the ambient light continuously. **In Modes B, C, and D**, this trimpot will adjust the **Desired Light Level**, with a range from 0 footcandles to 200 footcandles, and the HBP-212 will then adjust the dimming of the load so that the combined amount of ambient light and electric light reaches the desired light level. When this trimpot is set to the minimum position, the daylight control is disabled and the HBP-212 will adjust the light level based only on occupancy without regard to ambient light.
- **In Mode A**, this trimpot determines the light level for the **Hold Off Setpoint**, with a range from 0 footcandles to 200 footcandles. When set to the minimum position, the light level hold off set-point is disabled.
- **In Mode E**, this trimpot controls the current dimming level, allowing visual confirmation of the **High Trim** level. The high trim level is used to calculate the low dim amount, which varies based on the mode, as described below. It also determines the maximum lighting level in Mode A, and if the photocell is disabled, determines the maximum lighting level for Modes B, C, and D.

Time – This rotary trimpot sets the amount of time delay after occupancy is no longer detected before the loads go to the Low Trim value. Additionally, for Modes A and B, this controls the amount of time before the load goes from the Low Trim to OFF. The time will be half of the

Twist to remove lens and expose trimports



initial delay. For example, if time is set to 20 minutes, the load will go from ON to the Low Trim level 20 minutes after occupancy is no longer detected. The the load will then turn OFF 10 minutes after it goes to the Low Trim level.

Fade Time – For all modes except Mode E and Test Mode, the fade up time from OFF to ON or OFF to High Dim Level is 2 seconds, and the fade down time from ON to Low Dim Level or Low Dim Level to OFF is 10 seconds. For Mode E and Test Mode, fade up and fade down time is 0 seconds.

Mode A – High/Low/Off Dimming for Indoor Parking Structure or High-Bay

Features: Transition between High, Low, and Off levels; Adjustable Hold Off Setpoint; High trim and low dim levels are variable

This mode has a hold off light level set point, which can be adjusted to the desired light level using Set trimpot, or disabled (when the Set trimpot is turned to the minimum setting).

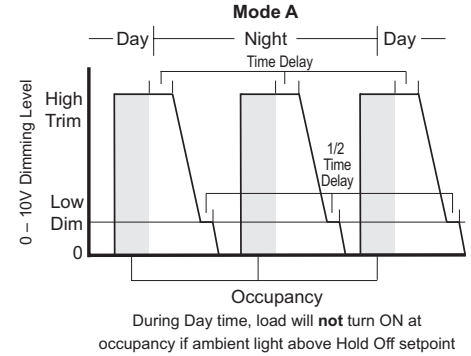
Anytime occupancy is detected with ambient light level below the hold off set point, the load turns ON (ramping up to the High trim level).

NOTE: In this mode, since there is no daylighting control, the High Trim level will be the maximum amount of light for the load. (The High Trim level is set in Mode E.)

Once no occupancy is detected and the time delay expires, the load will fade down to the Low Dim level which is 10% of High Trim level. As long as the area remains unoccupied, the load stays at the Low Dim level for half the amount of the time delay, and then load turns OFF.

When the hold off light level set point is enabled using the Set trimpot, once the Load turns OFF, after 5 seconds if the ambient light level is more than the set point value, the load will stay OFF even if occupancy is detected. But if occupancy is detected within the 5 seconds, the load will return to the High Trim value, even if the ambient light level is more than the hold off level.

NOTE: When you select mode A, The HBP-212 will initially enter Test mode and stay in test mode for 5 minutes, after which it will switch to mode A operation. (Test Mode is identical mode to A, with the exception of Time Delay, which is fixed at 5 seconds.)



Mode B – Continuous Dimming Control with Daylighting (Dim to Off)

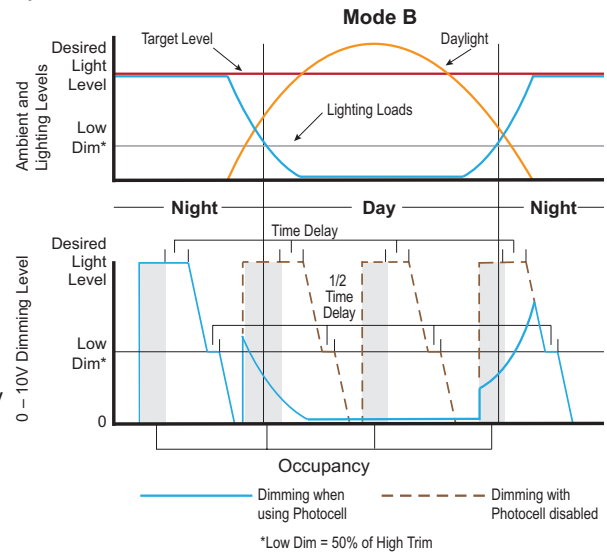
Features: Adjustable photocell level to set desired light level when occupied

When the ambient lighting is below the desired light level and occupancy is detected, the sensor turns the loads ON. The dimming level continually adjusts so that the dimming amount combined with ambient light matches the desired light level. If the ambient lighting is above the desired light level when occupancy is detected, the load will remain OFF until the ambient light drops below the target level, at which point it will adjust the dimming level appropriately.

Once no occupancy is detected and the time delay expires, the load fades down to the Low Dim level, which is 50% of the High Trim level. As long as the area remains unoccupied, the load stays at the Low Dim level for half the amount of the time delay, and then load turns OFF. If the current dimming level is less than half of the High Trim value, the load fades down to OFF without any time delay.

NOTE: With the photocell enabled in this mode (as well as in modes C and D), the High Trim is used only to calculate the Low Dim amount. It can therefore be set to an amount lower than the maximum dimming amount, which is set based on the desired light level. For example: if the High Trim level is set to 8V, in Mode B the Low Dim level will be 4V. But if the desired light level is set high, the lights might go up to 9V or 10V in order to reach the desired level.

NOTE: If the photocell is disabled in this mode (as well as in modes C and D), the High Trim amount will be used to determine the desired light level, as it does in Mode A.

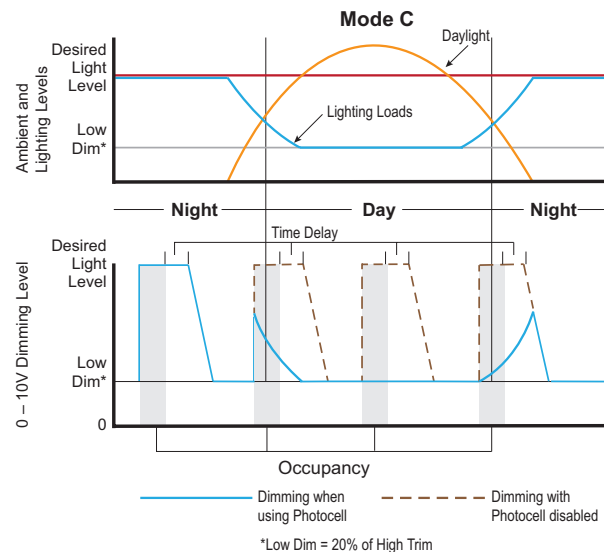


Mode C – Continuous Dimming Control with Daylighting (Dim to Low Level)

Features: Adjustable photocell level to set desired light level; a minimum light level is always maintained.

When occupancy is detected and if the ambient lighting is below the desired light level, the dimming level continually adjusts so that the dimming amount combined with ambient light matches the desired light level. If the ambient lighting is above the target photocell level, the dimming level will adjust to the Low Dim level (20% of High Trim value).

Once the area is unoccupied and the time delay expires, the load level will fade down to the Low Dim level (20% of High Trim value). The load will never turn completely OFF.



Mode D – Continuous Dimming Control with Daylighting (Separate Low Dim Levels when there is No Occupancy)

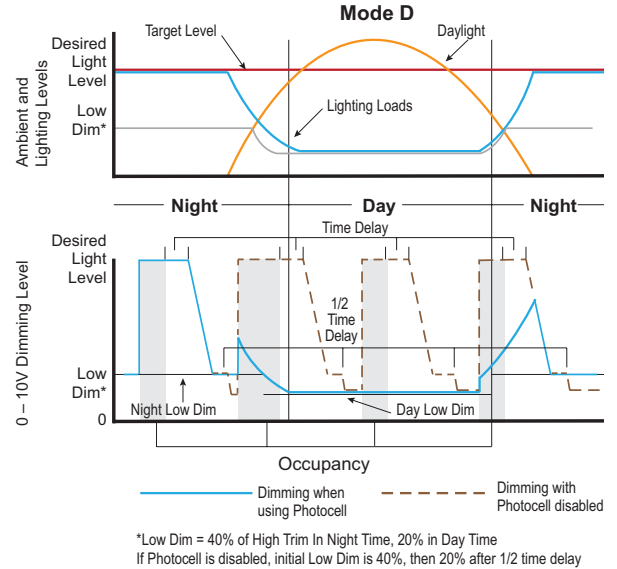
Features: Adjustable photocell level to set desired light level; a minimum light level is always maintained, with separate day time and night time minimum levels

During the day time, when occupancy is detected and if the ambient lighting is below the desired light level, the dimming level continually adjusts so that the dimming amount combined with ambient light matches the desired light level. Once the dimming level reaches 40% of the high trim level, the sensor will consider it to be night time and will behave as described in the following paragraph. If the ambient lighting is above the target photocell level, the dimming level will adjust to the Day Time Low Dim level (20% of High Trim value). Additionally, when there is no occupancy and the time delay expires, the load level will fade down to the Day Time Low Dim level.

During the night time, when occupancy is detected, the dimming level adjusts to the desired light level. When there is no occupancy and the time delay expires, the load level will fade down to the Night Time Low Dim level (40% of High Trim value) in order to maintain a safe light level. Once the dimming level is less than 40% of the high trim operation, the sensor switches back to day time operation.

In this mode, the load will never turn completely OFF.

NOTE: If the photocell is disabled, then the day time/night time behavior does not apply. In this case, after the time delay expires the lights will dim to 40% of the High Trim level, and then after an additional 1/2 of the time delay amount, the lights will dim further to 20% of high dim level.

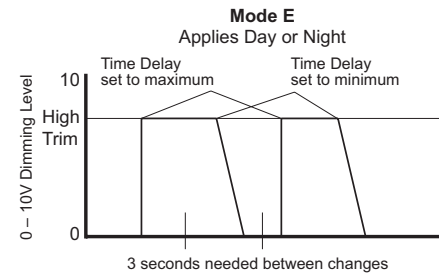


Mode E – Service/Setup Mode

Features: Allows visual adjustment of High Trim level

If the **Time** trimpot is set at maximum, the load turns ON at the current High Trim amount. Adjust the **Set** trimpot to the desired amount. This amount will be the maximum amount of light in Mode A and will set the High Trim amount for Modes, B, C, and D. If the **Time** trimpot is set at minimum, the load turns OFF.

Note that after turning the Time trimpot to change the ON/OFF setting, the unit will not respond to further changes for 3 seconds.



Test Mode

Test mode sets the time delay to 5 seconds to allow for testing the occupancy sensor.

Whenever Mode A is selected using the **Mode** trimpot, the HBP-212 will enter Test mode for 5 minutes. If the HBP-212 is currently in mode A, selecting another mode and then returning to mode A will restart Test mode. During Test mode, daylight control is not active and the value of the Time trimpot is overridden. When occupancy is detected the load will turn ON at the High Trim value. Once no occupancy is detected, the load will go to the Low Dim level after 5 seconds, and then will stay at that level for 2.5 seconds, before turning OFF. After 5 minutes, the unit will revert to normal Mode A operation.

Mode Summary

	Daylight Control	High/Low Dim	Time Delay	Auto On	Auto Off
Mode A	No	High Trim/ 10% of High Trim	30sec – 30 min 1/2 of set value during Low Trim	Occupancy detected	One half time delay expired
Mode B*	Yes	High Trim/ 50% of High Trim	30sec – 30 min Default – 15 min	Occupancy detected	One half time delay expired or ambient light level above target photocell level
Mode C	Yes	High Trim/ 20% of High Trim	30sec – 30 min	Occupancy detected	Load is Always ON
Mode D	Yes	High Trim/ 20% of High Trim in Day 40% of High Trim at Night	30sec – 30 min 1/2 of set value during Low Trim	Load is always ON	Load is Always ON
Mode E	No	High Trim	Not applicable	Load is ON at Dim level when time delay rotary trimpot in maximum position	Load is OFF when time delay rotary trimpot in minimum position

* Default Mode Setting

TROUBLESHOOTING

Lights do not turn ON at Full Value:

- Make sure that the sensor is not obstructed.
- If Mode is set to A or B, check light level parameter, to find out the amount of light that the sensor is detecting. Cover the sensor lens to simulate darkness in the room. If the lights come ON, the ambient light level is too high.
- While in Modes A or B, if the red LED blinks 2 times per second when the sensor is triggered, the ambient light level is too high.
- Make sure the HBP-212 is not set to Mode E (Service mode) and time delay rotary trimpot is not at minimum position.
- If lights still do not turn ON, call 800.879.8585 for technical support.

Lights will not go to Dimming Level:

- Check all wire connections and verify the dimming wires are tightly secured.
- Make sure that the sensor is not obstructed.
- Check desired light level setting, to find out the amount of light that the sensor is detecting. Cover the sensor lens to simulate darkness in the room. If F, the ambient light level is too high.
- The time delay can be set from a minimum of 30 seconds to a maximum of 30 minutes. Ensure that the time delay is set to the desired delay and that there is no movement within the sensor's view for that time period.
- To quickly test the unit operation, enable test mode and move out of the sensor's view. Lights should fade to the dim level after 5 seconds and then turn OFF after 2.5 seconds.
- If lights still do not turn adjust to the dimming level, call 800.879.8585 for technical support.

Lights will not turn OFF:

- Make sure the HBP-212 is not set to Mode E (Service mode) and time delay rotary trimpot is not at max position.
- To quickly test the unit operation, enable test mode and move out of the sensor's view. Lights should fade to the dim level after 5 seconds and then turn OFF after 2.5 seconds.
- False Triggering may occur if the sensor is exposed to high ambient temperature conditions, so ensure the installed location has good ambient temperature.
- If lights still do not turn OFF, call 800.879.8585 for technical support.

ORDERING INFORMATION

Model	Description
HBP-212	Line Voltage 0–10V High/Low-Bay PIR Sensor
HBP-L7	High/Low-Bay Lens for HBP-11X Series 8ft-40ft Mounting
HBP-EM1	High/Low-Bay Extender Module for HBP Series
HBP-SM1	HBP Sensor Surface Mount Module

DESCRIPTION ET FONCTIONNEMENT

Le détecteur de présence HBP-212 est conçu pour le contrôle automatique de l'éclairage à l'intérieur des entrepôts à grande hauteur avec un ballast graduable de sortie 0-10V ou un contrôle du driver DEL.

Le HBP-212 est doté d'une cellule photoélectrique permettant de lire le niveau de luminosité et peut élever ou abaisser le niveau gradation des charges de l'éclairage continuellement, en fonction de la lumière ambiante et des réglages niveau de luminosité souhaité.

Le HBP-212 fonctionne entre 20V/230V-240V monophasé/277V. Il est conçu pour être installé à l'intérieur comme à l'extérieur et offre des modes de sélection faciles à utiliser comprenant plusieurs paramètres réglables.

Le HBP-212 offre quatre modes de régulation du fonctionnement différents (en plus des modes service et test) qui peuvent être sélectionnés avec un potentiomètre rotatif. Une fois démarré, chaque mode possède un ensemble de paramètres réglés par défaut. De plus, les réglages de temporisation et des niveaux de gradation élevé et faible pour les détecteurs se font à l'aide de potentiomètres rotatifs.

CARACTÉRISTIQUES

Tension	120V/277V, 50/60Hz
.....	230-240V, 50/60Hz, monophasé
Capacité des charges	
@ 230-240V	0-500W Ballast ou Driver DEL
@ 120V	0-800W Tungstène, Ballasts ou Driver DEL
@ 277V	0-1200W Ballast ou Driver DEL
Moteur @ 120V/277V	1/6 HP
Température de fonctionnement	-40°C (-40°F) à 70°C (158°F)
Dimensions	112,4mm x 89,4mm 55,7mm (4,43 x 3,52 x 2,19 pi)
Poids	186g (6,56 oz)
Réglage du délai de temporisation	1 seconde - 30 minutes

COUVERTURE DE LA LENTILLE

Les détecteurs de présence HBP-212 sont modulaires et constitués de deux parties : un module de détection et une lentille. Lorsqu'ils sont utilisés avec la lentille HBP-L7, les détecteurs sont parfaits pour les hauteurs de montage de 6,1 à 12,2 m (20 à 40 pi). Il existe un accessoire de masquage en option pour les allées. Clipsez-le et tournez-le jusqu'à atteindre la position souhaitée.

La lentille et les détecteurs sont prévus pour une utilisation intérieure et conçus pour des entrepôts. Évitez de placer le détecteur près d'étagères ou d'autres obstacles qui risquent de bloquer son champ de vision.

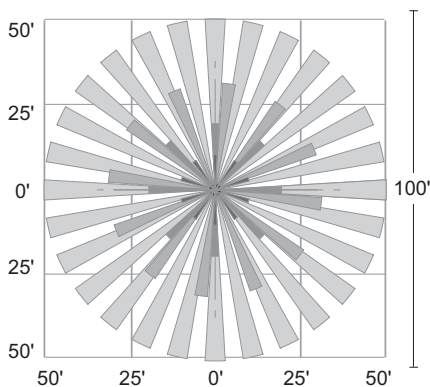
Détection infrarouge passive dans les entrepôts

Les entrepôts peuvent présenter des variations de température ambiante qui risquent d'affecter la détection des détecteurs ainsi que leurs zones de portée. Les hautes températures dans l'espace concerné (au-dessus de 26,7 °C/80 °F) réduisent la zone de détection du détecteur. Envisagez d'ajouter des détecteurs si les températures ambiantes attendues sont élevées. De plus, dans le cas de températures élevées au niveau du sol, il est possible que seuls les grands mouvements soient détectés. Dans certaines situations, les détecteurs montés au-dessus de 12,2 m (40 pi) risquent de ne détecter que de grandes signatures thermiques, comme les chariots élévateurs. Consultez le guide des meilleures pratiques pour les entrepôts sur notre site www.wattstopper.com pour plus d'informations.

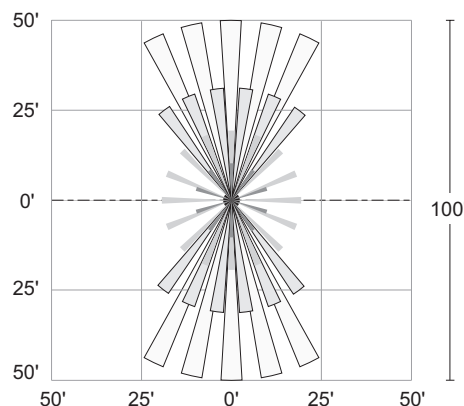
HBP-L7 : portée à 360°

Le HBP-L7 comporte une lentille qui couvre une zone de 30,5 m (100 pi) de diamètre à une hauteur de 12,2 m (40 pi).

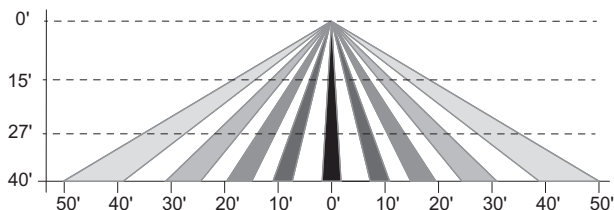
Vue du haut de la portée à 12,2 m (40 pi)



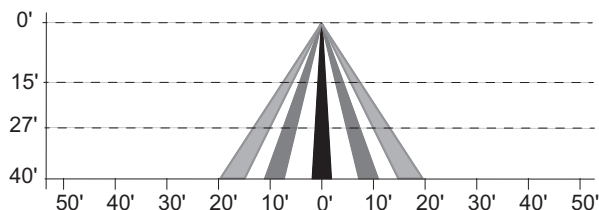
Vue du haut de la portée à 12,2 m (40 pi) avec le masquage



Vue latérale de la portée standard



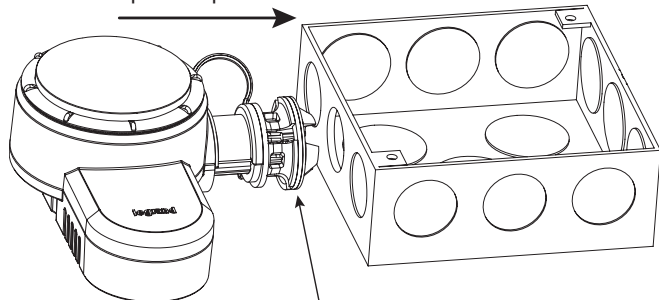
Vue latérale avec le masquage



OPTIONS DE MONTAGE

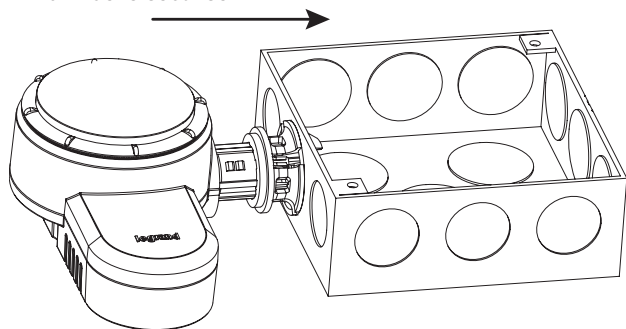
La gamme de détecteurs HBP possède un mamelon du type snap-in ce qui procure un montage rapide et, sécurise bien le détecteur à une boîte de jonction ou luminaire. En outre, les détecteurs peuvent être fixés au fond de l'appareil en utilisant le module de montage en surface optionnel (HBP - SM1). Le module d'extension en option (HBP-EM1) peut être utilisé pour baisser le détecteur de 10,16 cm (4 po) maximum. Le module d'extension offre différentes options de hauteur pour le montage grâce aux entrées défonçables simples. Veuillez vous référer à la notice d'installation du HBP-SM1 et HBP-EM1 pour plus de détails.

- ❶ Pousser le HBP à la boîte de jonction ou luminaire afin de l'enclipser en place.

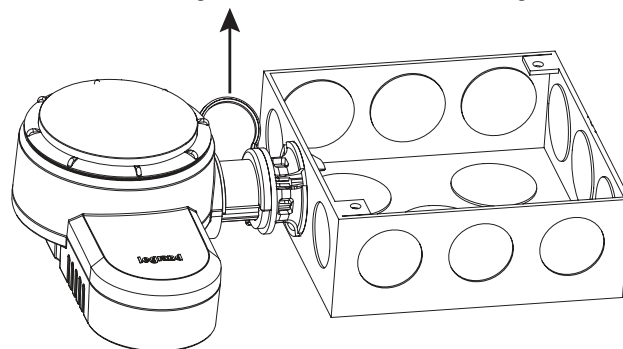


Au besoin les rondelles plates peuvent être retirées afin d'accommoder l'épaisseur du luminaire.

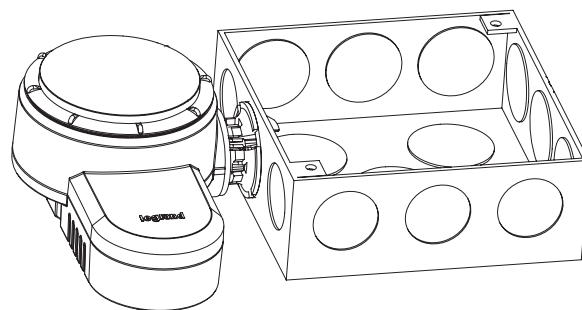
- ❷ Pousser le HBP au luminaire ou boîte de jonction afin de le sécuriser.



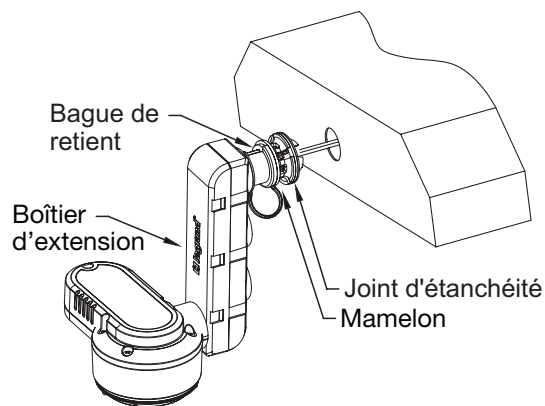
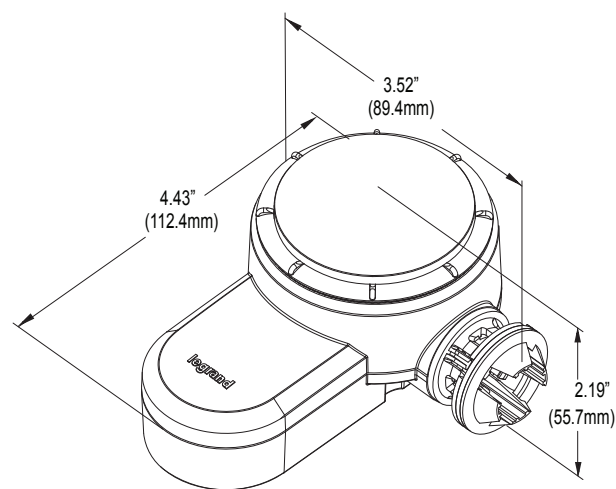
- ❸ Retirer la bague de retient en tirant sur la languette.



- ❹ HBP sécurisé au luminaire ou boîte de jonction



Utilisation du module d'extension HBP-EM1



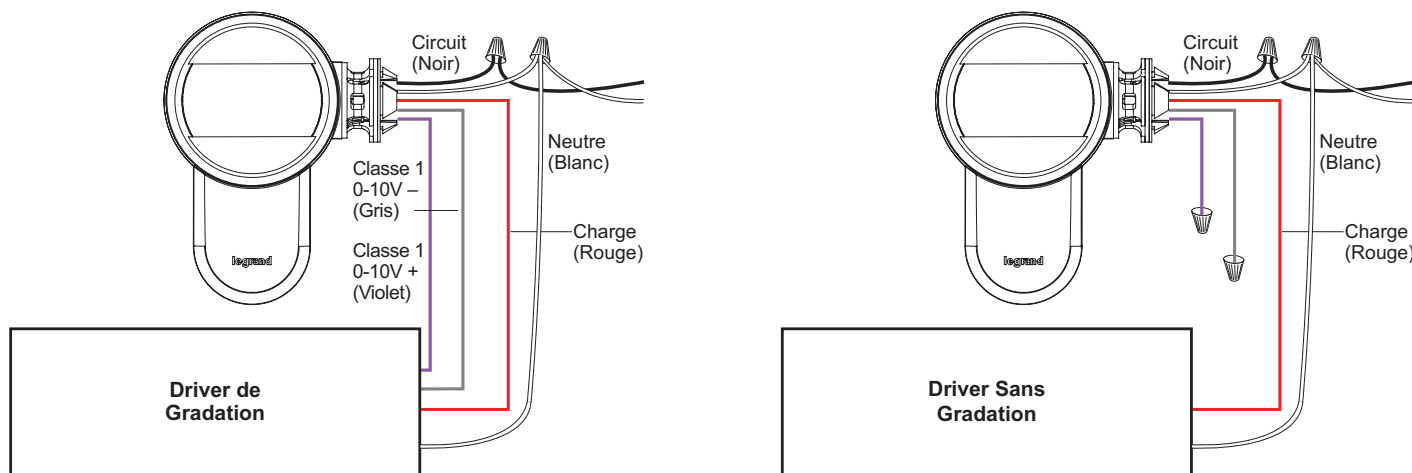
Dimensions

REMARQUE: La longueur est de 106,6mm (4,2 po) avant le clip de retenue est retiré et le mamelon enfichable est effondré.

INSTALLATION

1. Déterminez l'emplacement de montage approprié aux caractéristiques du détecteur et de la zone de portée. Il est nécessaire de réfléchir soigneusement à l'emplacement du détecteur. Évitez de placer le détecteur près d'un bord de luminaire, d'étagères ou d'autres obstacles qui risquent de bloquer le champ de vision du détecteur. Montez le détecteur sous le niveau du bord du luminaire et loin des lampes fluorescentes afin que la chaleur dégagée par ces lampes ne perturbe pas le fonctionnement du détecteur.
2. Assurez-vous de posséder les accessoires appropriés pour la configuration de montage du détecteur. (Voir Options de montage.)
3. Assemblez les accessoires de montage nécessaires et fixez-les sur le détecteur, tout en vous assurant que les câbles volants provenant du module d'alimentation sont bien accessibles.
4. Raccordez les fils de la charge et ceux de la tension du secteur aux câbles du détecteur comme illustré dans le schéma de câblage correspondant à l'application de l'unité.
 - Ne laissez pas de fils nus visibles.
 - Assurez-vous que tous les raccordements sont bien fixés.
5. Remettez le courant à l'aide du disjoncteur.

CÂBLAGE



**AVERTISSEMENT : COUPER LE
COURANT AU DISJONCTEUR PRINCIPAL
AVANT D'INSTALLER LE CÂBLAGE.**



MODES DE RÉGULATION

Le HBP-212 possède cinq modes sélectionnables, chacun ayant des paramètres de réglage prédéfinis. Une fois le mode sélectionné, vous pouvez personnaliser davantage le fonctionnement en réglant les potentiomètres de gradation et de temps.

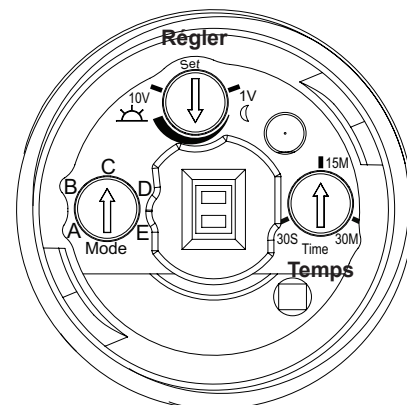
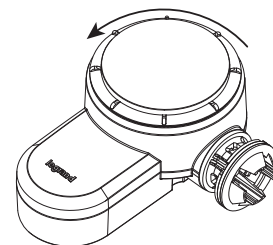
Sélectionnez le **Mode** et réglez les autres potentiomètres rotatifs à l'aide d'un petit tournevis.

REMARQUE: Un sixième mode, le mode de test, est accessible automatiquement lorsque le mode A est sélectionné. Consulter la page 11 pour plus de détails à ce sujet.

Set (Régler) – Ce potentiomètre rotatif sert à régler trois paramètres différents, selon le mode utilisé : **niveau de luminosité désiré** (en pied-bougies), le **point de réglage de la mise en veille** et le **réglage élevé**.

- Le HBP-212 est doté d'une cellule photoélectrique qui mesure la lumière ambiante en continu. **Dans les modes B, C et D**, ce potentiomètre ajustera le **niveau de luminosité désiré**, avec une plage de 0 à 200 pieds-bougies, et le HBP-212 ajustera alors la gradation de la charge afin que la quantité combinée de lumière ambiante et de lumière électrique atteigne le niveau de luminosité désiré. Lorsque ce potentiomètre est réglé à la position minimale, la commande de lumière ambiante est désactivée et le HBP-212 ajustera le niveau de luminosité en se fondant uniquement sur l'occupation, sans égard à la lumière ambiante.
- **En mode A**, ce potentiomètre détermine le niveau de luminosité pour le **point de réglage de la mise en veille** à l'aide d'une plage allant de 0 à 200 pied bougies. Lorsqu'il est réglé au minimum, le point de réglage de la mise en veille du niveau de luminosité est désactivé.
- **En mode E**, ce potentiomètre contrôle le niveau actuel de gradation, ce qui permet une confirmation visuelle de la valeur **de réglage élevé**. Le niveau de réglage élevé est utilisé pour calculer la quantité de gradation minimale, qui varie en fonction du mode, conformément à ce qui est décrit ci-dessous. En outre, il détermine le niveau maximal de l'éclairage en mode A, et si la cellule photoélectrique est désactivée, détermine le niveau maximal de l'éclairage pour les modes B, C et D.

**Twistet pour enlever la
lentille et exposer les
potentiomètres**



Time (Temps) – Ce potentiomètre rotatif règle la durée du délai après la fin de la détection de l'occupation avant que les charges passent à la valeur de réglage faible. De plus, pour les modes B et C, il contrôle le laps de temps avant que la charge passe du réglage faible à l'extinction. Le temps représentera la moitié du délai initial. Par exemple, si le temps est réglé à 20 minutes, la charge passera d'allumée au réglage faible, 20 minutes après que la présence n'est plus détectée. La charge s'éteindra 10 minutes après son passage au réglage faible.

Temps de mise en place – Pour tous les modes sauf le mode E et Test, le temps de mise en place pour passer de l'extinction à en marche ou de l'extinction au niveau de gradation élevé est de 2 secondes, et le temps d'extinction pour passer d'en marche au niveau de gradation faible ou du niveau de gradation faible à l'extinction est de 10 secondes. Pour le mode E et le mode Test, le temps de mise en place est de 0 seconde.

Mode A – Gradation élevée/faible/éteint pour stationnement intérieur ou les halls

Caractéristiques : Transition entre les niveaux de gradation haut, faible, et éteint; point de réglage de la mise en veille ajustable; le niveau de réglage élevé et le niveau de gradation faible sont variables

Ce mode est doté d'un point de réglage du niveau de luminosité de la mise en veille, qui peut être réglé au niveau de luminosité désiré à l'aide du potentiomètre **Set**, ou désactivé (lorsque le potentiomètre **Set** est au réglage minimum).

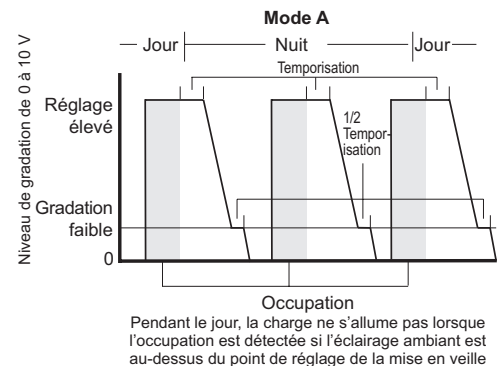
L'occupation est détectée en tout temps lorsque le niveau de lumière ambiante se situe au-dessous du niveau du point de réglage de la mise en veille, la charge se met en marche (pour atteindre graduellement le niveau de réglage élevé).

REMARQUE: Dans ce mode, puisqu'il n'y a aucun contrôle de lumière ambiante, le niveau de réglage élevé sera la quantité maximale de lumière pour la charge. (Le niveau de réglage élevé est établi en mode E.)

Une fois qu'aucune occupation n'est détectée et que le délai expire, la charge repassera graduellement au niveau de gradation faible qui est 10 % de celui de réglage élevé. Tant que la zone demeure inoccupée, la charge reste au niveau de gradation faible pour la moitié du temps de temporisation, puis s'éteint.

Lorsque le point de réglage de la mise en veille est activé à l'aide du potentiomètre **Set**, une fois que la charge s'éteint, après 5 secondes si le niveau de lumière ambiante est plus élevé que la valeur de du point de réglage, la charge demeurera éteinte, même si une occupation est détectée. Mais si l'occupation est détectée dans les 5 secondes, la charge reviendra à la valeur de réglage élevé, même si le niveau de lumière ambiante est plus élevé que celui du point de mise en veille.

REMARQUE: Lorsque vous sélectionnez le mode A, le dispositif HBP-212 entrera initialement en mode test et y restera pendant 5 minutes, après quoi il passera au fonctionnement en mode A. (Le mode test est identique au mode A, à l'exception de la temporisation qui est réglée à 5 secondes.)



Mode B – Contrôle de gradation continue avec lumière ambiante (gradation éteinte)

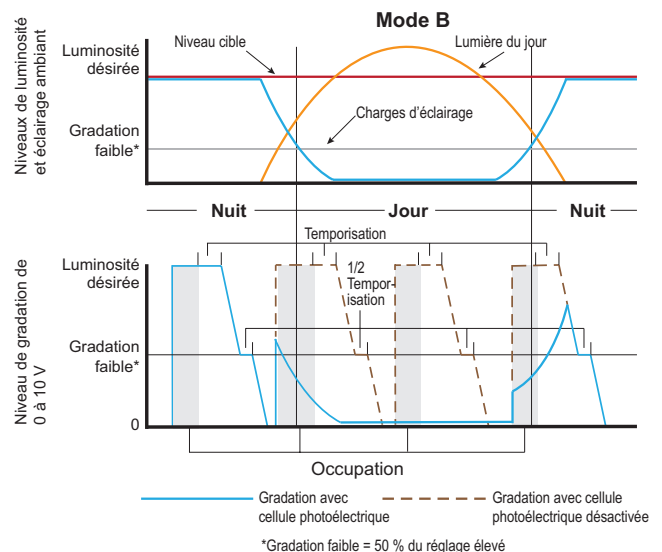
Caractéristiques : Niveau de la cellule photoélectrique réglable au niveau de luminosité voulu pendant l'occupation

Lorsque l'éclairage ambiant se situe sous le niveau de luminosité voulu et que l'occupation est détectée, le détecteur active les charges. Le niveau de gradation s'ajuste continuellement afin que la gradation combinée à la lumière ambiante corresponde au niveau de luminosité désiré. Lorsque la lumière ambiante se situe au-dessus du niveau de luminosité désiré lorsqu'une occupation est détectée, la charge restera éteinte jusqu'à ce que la lumière ambiante descende sous le niveau cible, après quoi il s'ajustera au point de gradation adéquat.

Une fois qu'aucune occupation n'est détectée et que le délai expire, la charge repassera graduellement au niveau de gradation faible qui est 50 % de celui du réglage élevé. Tant que la zone demeure inoccupée, la charge reste au niveau de gradation faible pour la moitié du temps de temporisation, puis s'éteint. Si le niveau de gradation actuel est moins de la moitié de la valeur de réglage élevé, la charge s'éteindra graduellement sans délai.

REMARQUE: Lorsque la cellule photoélectrique est activée dans ce mode (ainsi que dans les modes C et D), le niveau de réglage élevé est utilisé uniquement pour calculer le niveau de gradation faible. Par conséquent, il peut être réglé à un niveau inférieur à celui de la gradation maximale, qui est établi en fonction du niveau de luminosité désiré. Par exemple : Si le niveau de réglage élevé est de 8 V, en mode B le niveau de gradation faible sera de 4 V. Cependant, si le niveau de luminosité désiré est réglé à un niveau élevé, les lumières peuvent aller jusqu'à 9 V ou 10V pour atteindre le niveau désiré.

REMARQUE: Si la cellule photoélectrique est désactivée dans ce mode (ainsi que dans les modes C et D), le niveau de réglage élevé sera utilisé pour déterminer le niveau de luminosité désiré, comme en mode A.



Mode C – Contrôle de gradation continue avec lumière ambiante (gradation à niveau faible)

Caractéristiques : Niveau de cellule photoélectrique réglable pour configurer le niveau de luminosité; un niveau de luminosité minimal est toujours maintenu.

Lorsque l'occupation est détectée et que l'éclairage ambiant est inférieur au niveau de luminosité désiré, le niveau de gradation s'ajuste continuellement afin que la gradation combinée à la lumière ambiante corresponde au niveau de luminosité désiré. Si l'éclairage ambiant est supérieur au niveau cible de la cellule photoélectrique, le niveau de gradation s'ajuste au niveau de gradation faible (20 % du niveau de réglage élevé).

Une fois que la zone est inoccupée et que le délai expire, la charge repassera graduellement au niveau de gradation faible (20 % de celui du réglage élevé). La charge ne sera jamais complètement éteinte.

Mode D – Contrôle de gradation continue avec lumière ambiante (niveaux distincts de gradation faible lorsque la zone est inoccupée)

Caractéristiques : Niveau de cellule photoélectrique réglable au niveau de luminosité désiré; un niveau de luminosité minimal est toujours maintenu, selon les niveaux distincts configurés pour le jour et la nuit

Pendant le jour, lorsque l'occupation est détectée et si l'éclairage ambiant est inférieur au niveau de luminosité désiré, le niveau de gradation s'ajuste continuellement afin que la gradation combinée à la lumière ambiante corresponde au niveau de luminosité désiré. Une fois que le niveau de gradation atteint 40 % du niveau de réglage élevé, le détecteur considérera qu'il fait nuit et se comportera conformément à ce qui est énoncé dans le paragraphe suivant. Si l'éclairage ambiant est supérieur au niveau cible de la cellule photoélectrique, le niveau de gradation s'ajuste au niveau de gradation faible (20 % du niveau de réglage élevé). De plus, lorsque la zone est inoccupée et que le délai expire, le niveau de charge s'estompera jusqu'au niveau de gradation diurne faible minimal.

La nuit, lorsqu'une occupation est détectée, le niveau de gradation s'ajustera au niveau de luminosité désiré. Lorsque la zone est inoccupée et que le délai est expiré, le niveau de charge s'estompera jusqu'au niveau de gradation nocturne faible (40 % de la valeur de réglage élevé) afin de maintenir un niveau de luminosité sécuritaire. Une fois que le niveau de gradation est inférieur à 40 % du fonctionnement à réglage élevé, il repassera au fonctionnement diurne.

Dans ce mode, la charge ne sera jamais complètement éteinte.

REMARQUE: Si la cellule photoélectrique est désactivée, alors le comportement diurne et nocturne ne s'applique pas. Dans ce cas, après l'expiration du délai, la lumière s'estompera à 40 % du niveau de réglage élevé, et après une durée supplémentaire de la moitié du temps du délai, la lumière s'estompera davantage pour atteindre 20 % du niveau de réglage élevé.

Mode E – Mode d'entretien/configuration

Caractéristiques : Permet un ajustement visuel du niveau de réglage élevé

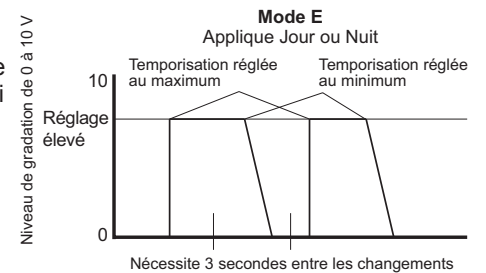
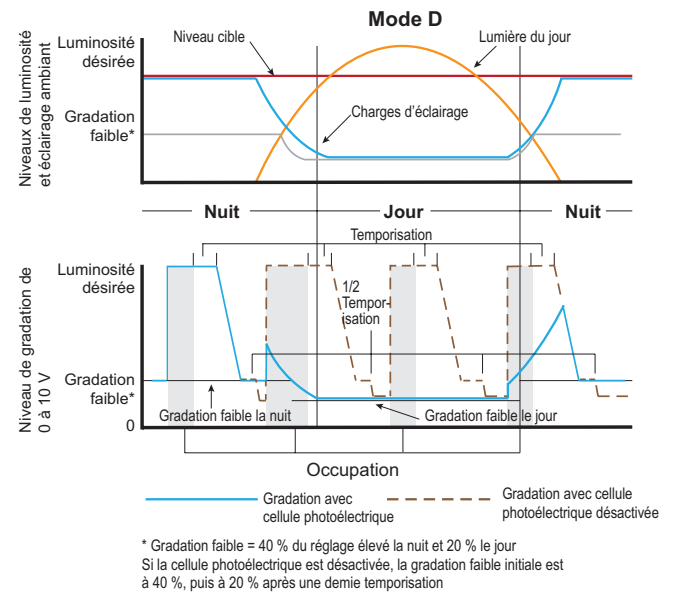
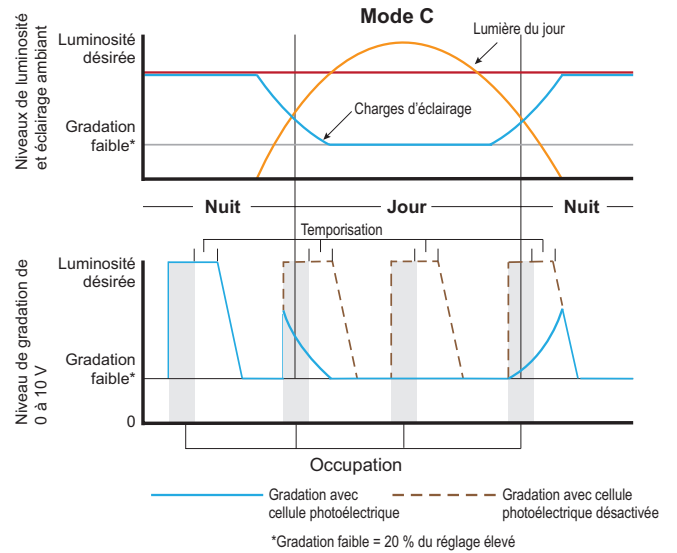
Si le potentiomètre **Time** est réglé au maximum, la charge s'allume au niveau de réglage élevé. Régler le potentiomètre **Set** au niveau désiré. Ce niveau sera la quantité maximale de la lumière en mode A et configurera le niveau de réglage élevé pour les modes, B, C et D. Si le potentiomètre **Time** est réglé au minimum, la charge s'éteint.

Prenez note qu'après avoir tourné le potentiomètre du temps pour modifier le réglage Marche/Arrêt, le dispositif ne répondra plus aux autres modifications pendant 3 secondes.

Mode test

Le mode test règle la temporisation à 5 secondes pour vous permettre de tester le détecteur de présence.

Lorsque le mode A est sélectionné à l'aide du potentiomètre **Mode**, le HBP-212 entrera en mode test pour 5 minutes. Si le HBP-212 est actuellement en mode A, la sélection d'un autre mode pour ensuite retourner au mode A redémarrera le mode test. Pendant le mode test, la régulation de la lumière du jour n'est pas active et la valeur du potentiomètre **Time** est remplacée. Lorsque l'occupation est détectée, la charge s'allume au niveau de réglage élevé. Si aucune présence n'est détectée, la charge passera au niveau de gradation faible après 5 secondes, puis restera à ce niveau pour 2,5 secondes avant de s'éteindre. Après 5 minutes, le dispositif retournera au fonctionnement normal en mode A.



Résumé du mode

	Régulation de la lumière du jour	Gradation élevée/faible	Temporisation	Marche automatique	Arrêt automatique
Mode A	Non	Réglage élevé/ 10 % du réglage élevé	30 sec à 30 min 1/2 des valeurs réglées pendant le réglage faible	Présence détectée	La moitié de la temporisation est expirée
Mode B*	Oui	Réglage élevé/ 50 % du réglage élevé	30 sec à 30 min Par défaut – 15 min	Présence détectée	La moitié de la temporisation est expirée ou le niveau de lumière ambiante est au-dessus du niveau cible de la cellule photoélectrique
Mode C	Oui	Réglage élevé/ 20 % du réglage élevé	30 sec à 30 min	Présence détectée	La charge est toujours ALLUMÉE
Mode D	Oui	Réglage élevé/ 20 % du réglage élevé pendant le jour 40 % du réglage élevé pendant la nuit	30 sec à 30 min 1/2 des valeurs réglées pendant le réglage faible	La charge est toujours ALLUMÉE	La charge est toujours ALLUMÉE
Mode E	Non	Réglage élevé	Sans objet	La charge est ALLUMÉE au niveau de gradation lorsque le potentiomètre rotatif de temporisation est réglé au maximum	La charge est ÉTEINTE lorsque le potentiomètre rotatif de temporisation est réglé au minimum

* Réglage du mode par défaut

DÉPANNAGE

Les lumières ne s'allument pas complètement :

- Assurez-vous que le détecteur n'est pas obstrué.
- Si le mode est réglé à A ou B, vérifiez le paramètre du niveau de luminosité pour déterminer la quantité de lumière détectée par le détecteur. Couvrez la lentille du détecteur pour simuler un effet de noirceur dans la pièce. Si les lumières s'allument, le niveau de lumière ambiante est trop élevé.
- En mode A ou B, si le voyant DEL rouge clignote deux fois à la seconde lorsque le détecteur est déclenché; le niveau de lumière ambiante est trop élevé.
- Veillez à ce que le HBP-212 ne soit pas en mode E (mode service) et que le potentiomètre rotatif de temporisation ne soit pas réglé au minimum.
- Si les lumières ne s'allument toujours pas, composez le 1 800-879-8585 pour obtenir du soutien technique.

Les lumières ne passent pas au niveau de gradation :

- Vérifiez toutes les connexions des fils et assurez-vous que les fils de gradation sont bien fixés.
- Assurez-vous que le détecteur n'est pas obstrué.
- Vérifiez le paramètre du niveau de luminosité souhaité pour déterminer la quantité de lumière détectée par le détecteur. Couvrez la lentille du détecteur pour simuler un effet de noirceur dans la pièce. Si F, le niveau de lumière ambiante est trop élevé.
- La temporisation peut être réglée d'un minimum de 30 secondes jusqu'à un maximum de 30 minutes. Assurez-vous que la temporisation est réglée au délai souhaité et qu'il n'y a pas de mouvement dans la vue du détecteur pour cette période de temps.
- Pour tester rapidement le fonctionnement de l'appareil, activez le mode d'essai et éloignez-vous de la vue du détecteur. Les lumières devraient se tamiser après 5 secondes puis s'éteindre après 2,5 secondes.
- Si les lumières ne s'ajustent toujours pas au niveau de gradation, composez le 1 800-879-8585 pour obtenir du soutien technique.

Les lumières ne s'éteignent pas :

- Veillez à ce que le HBP-212 ne soit pas en mode E (mode service) et que le potentiomètre rotatif de temporisation ne soit pas réglé au maximum.
- Pour tester rapidement le fonctionnement de l'appareil, activez le mode d'essai et éloignez-vous de la vue du détecteur. Les lumières devraient se tamiser après 5 secondes puis s'éteindre après 2,5 secondes.
- Un faux déclenchement peut avoir lieu si le détecteur est exposé à des températures ambiantes élevées, veillez donc à ce que l'emplacement ait une bonne température ambiante.
- Si les lumières ne s'éteignent toujours pas, composez le 1 800-879-8585 pour obtenir du soutien technique.

RENSEIGNEMENTS POUR COMMANDES

Numéro de Catalogue	Description
HBP-212	Détecteur de mouvement infrarouge passif, Tension de ligne 0–10V, Grande hauteur
HBP-L7	Lentille grande/petite hauteur pour la série HBP, montage 2,4-12,2 m (8-40 pi)
HBP-EM1	Module d'extension grande/petite hauteur pour la série HBP

DESCRIPCIÓN Y FUNCIONAMIENTO

El sensor de ocupación HBP-212 está diseñado para el control automático de iluminación en bodegas requiriendo montaje alto y con un balasto regulable de salida 0-10V o control de manejador de LED.

El HBP-212 tiene una fotocelda para leer el nivel de luz y puede subir o bajar continuamente el nivel de atenuación de las cargas de iluminación, según la luz ambiental y el nivel de luz deseado.

El HBP-212 opera a 20V/230V-240V fase simple/277V. Está diseñado para ser instalado en ambientes interiores y exteriores, y proporciona modos seleccionables fáciles de usar con varios parámetros ajustables.

El HBP-212 ofrece cuatro modos de operación de control diferentes, (además de los modos de servicio y prueba) que se pueden seleccionar usando un potenciómetro rotativo. Una vez activado, cada modo tiene un conjunto de parámetros predeterminados de fábrica. Adicionalmente, ajustes para el retardo de tiempo y niveles de atenuación altos/bajos están disponibles en el sensor a través de potenciómetros rotativos.

ESPECIFICACIONES

Voltaje.....	120V/277V, 50/60Hz
.....	230-240V, 50/60Hz, fase simple
Especificaciones de carga	
@ 230-240V	Balasto o controlador LED de 0-500W
@ 120V ..	Tungsteno, balastos o controlador LED de 0-800W
@ 277V	Balasto o controlador LED de 0-1200W
Motor @ 120V/277V.....	1/6 HP
Temperatura de funcionamiento.....	-40°C (-40°F) à 70°C (158°F)
Dimensions.....	112,4mm x 89,4mm 55,7mm (4,43 x 3,52 x 2,19 in)
Peso	186g (6,56 oz)
Ajuste del tiempo de demora.....	1 segundo – 30 minutos

COBERTURA DE LALENTE

Los sensores de ocupación HBP-212 son modulares y consisten de dos partes, un módulo de sensor y una lente. Cuando se utilizan con la lente HBP-L7, los sensores son óptimos para alturas de montaje de 20' a 40'. Hay un accesorio de enmascaramiento opcional para aplicaciones de pasillos. Encástrelo y rótelolo en la posición deseada.

La lente y los sensores son calificados para interior y son ideales para almacenes. Evite colocar el sensor en lugares donde la estantería u otras obstrucciones puedan bloquear la línea de visión del sensor.

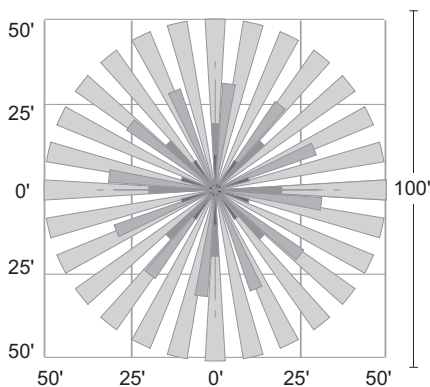
Sensor infrarrojo pasivo en depósitos

Los depósitos pueden tener variaciones de temperaturas ambiente que pueden afectar la detección del sensor y las áreas de cobertura. Las altas temperaturas en el área cubierta (por arriba de los 80°F) reducen la zona de detección del sensor. Considere agregar más sensores si se espera que la temperatura ambiente sea alta. Adicionalmente, la temperatura del nivel de la planta alta puede requerir mayor movimiento para la detección. En algunos casos, los sensores montados por encima de las 40' pueden detectar únicamente grandes temperaturas como la de los montacargas. Consulte la Guía de mejores prácticas para almacenes en www.wattstopper.com para obtener más información.

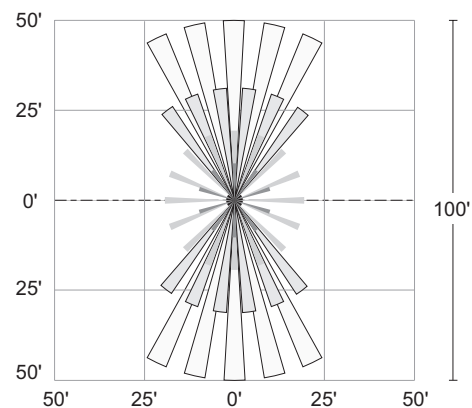
HBP-L7: Cobertura de 360°

El modelo HBP-L7 tiene una lente que cubre un área de diámetro de 100' a una altura de 40'.

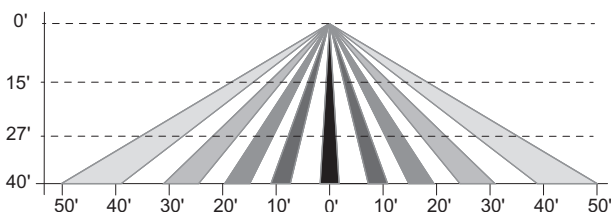
Vista superior de cobertura a 40'



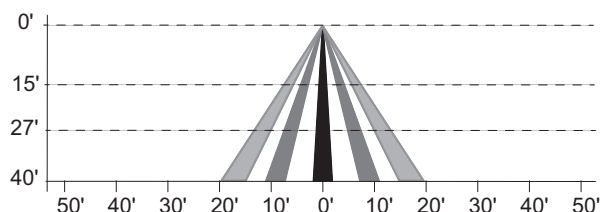
Vista superior con cobertura a 40' con enmascaramiento



Vista lateral de cobertura estándar



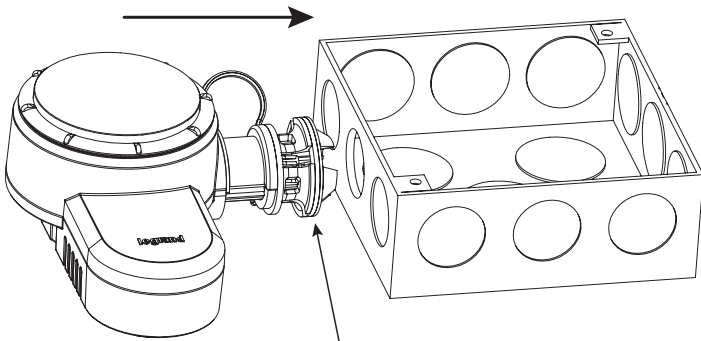
Vista lateral con enmascaramiento



OPCIONES DE MONTAJE

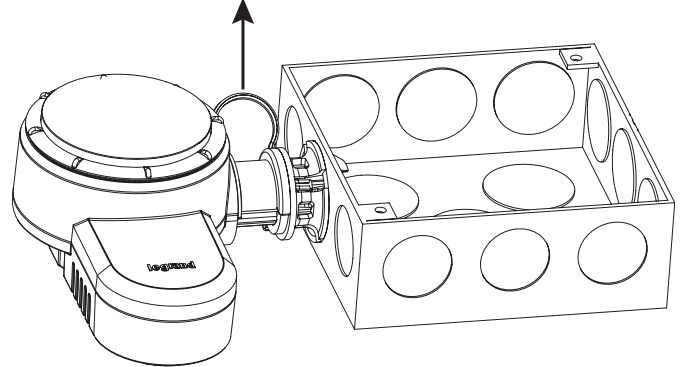
Los sensores de la serie HBP pueden conectarse a una fixtura o caja de conexiones utilizando el empalme adjunto, o a la parte inferior de la fixtura usando el módulo de montaje de superficie opcional (HBP - SM1). El módulo de extensión (HBP-EM1) se puede utilizar para bajar el sensor hasta 4 pulgadas. El módulo de extensión provee varias opciones de altura de montaje mediante el uso de troqueles simples. Remítase a las instrucciones de instalación del HBP-SM1 y del HBP-EM1 para obtener más detalles.

1 Inserte la unidad HBP, asegurandola en su lugar.

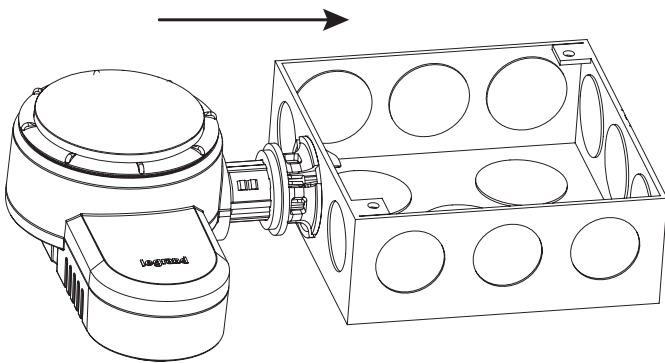


Las arandelas se pueden quitar según sea necesario para dar cabida al grosor de la pared de la fixtura.

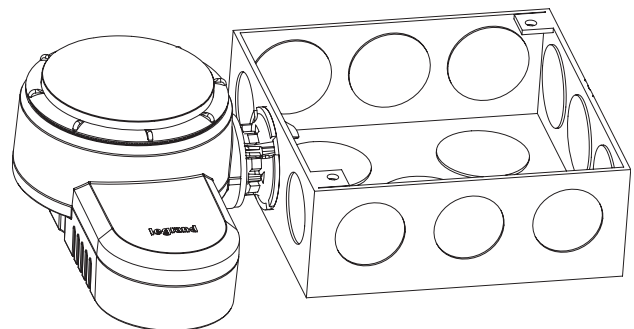
2 Retire el clip de sujeción.



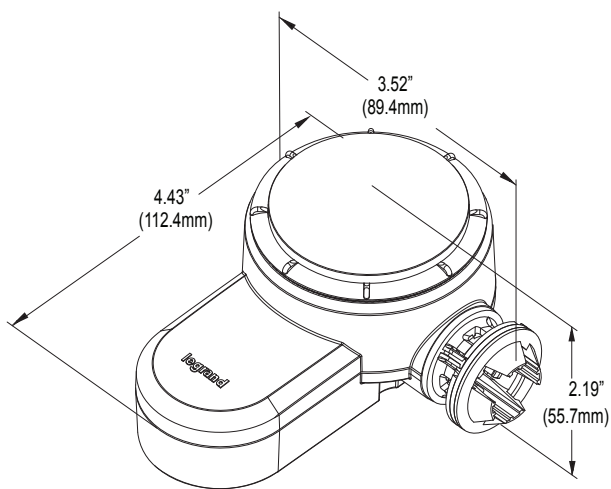
3 Empuje la unidad para asegurarla.



4 Unidad HBP asegurada

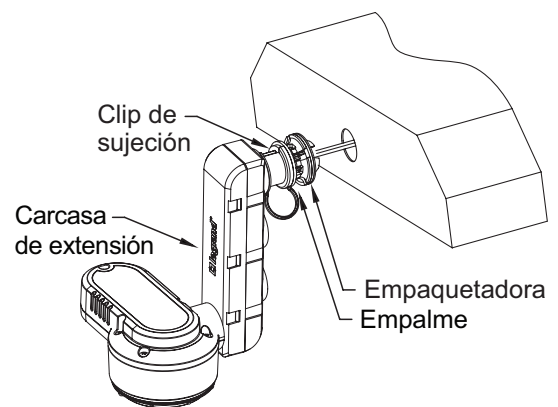


Cómo utilizar el módulo de extensión HBP-EM1



Dimensions

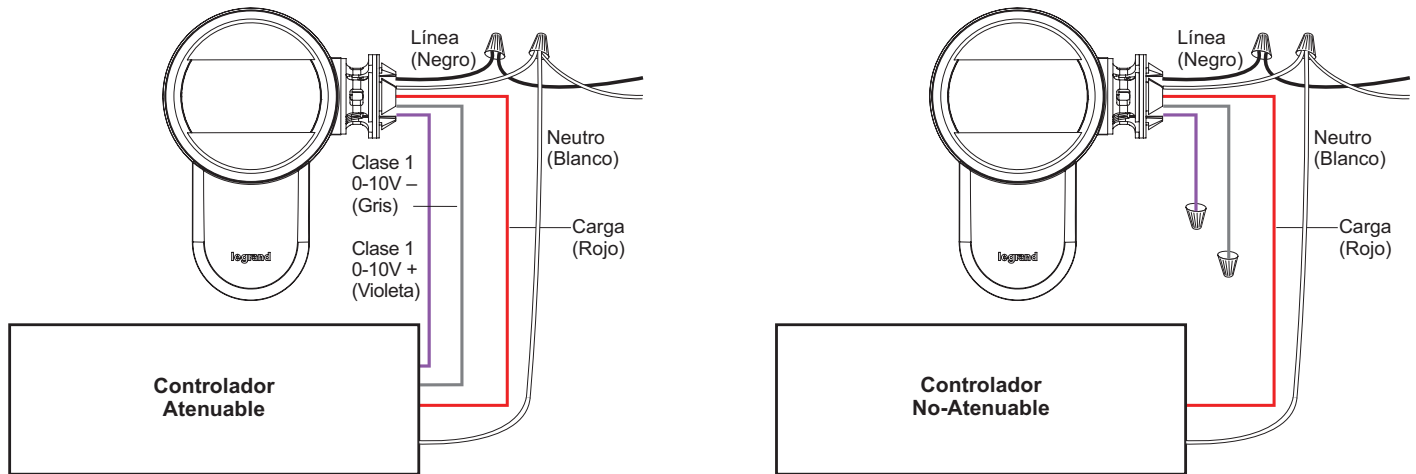
NOTA: La longitud es 4,2 " (106,6mm) antes de la pinza de sujeción se retira y el pezón complemento está contraído.



INSTALACIÓN

1. Determine la ubicación de montaje adecuada según las características del sensor y el área de cobertura. Debe prestarse especial atención a la colocación del sensor. Evite colocar el sensor en lugares donde el borde del aplique, la estantería u otras obstrucciones puedan bloquear la línea de visión del sensor. Monte el sensor debajo del borde del aplique y lejos de las lámparas fluorescentes, de manera que el calor de las lámparas no afecte al sensor.
2. Asegúrese de contar con los accesorios adecuados para la configuración del montaje del sensor. (Consulte Opciones de montaje).
3. Arme todos los accesorios de montaje necesarios y conéctelos al sensor, asegurándose de que se pueda acceder a los conductores volantes del módulo de alimentación.
4. Conecte los cables del voltaje de línea y de carga a los conectores del sensor como se muestra en el Diagrama de cableado de la aplicación de la unidad.
 - No permita que quede exhibido el cable pelado.
 - Asegúrese de que todas las conexiones estén seguras.
5. Restablezca la alimentación desde el disyuntor.

CABLEADO



⚡ ADVERTENCIA: DESCONECTE LA ALIMENTACIÓN EN EL DISYUNTOR ANTES DEL CABLEADO. ⚡

MODOS DE CONTROL

El HBP-212 tiene cinco modos seleccionables, cada uno de los cuales tiene ajustes de parámetros preestablecidos. Una vez que se selecciona el modo, tienes la capacidad de personalizar aún más la operación ajustando los potenciómetros rotativos de Set y Time (Ajuste y Tiempo).

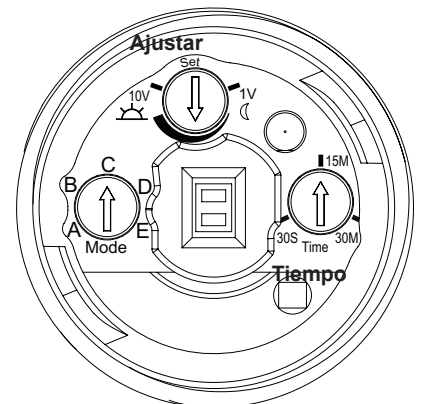
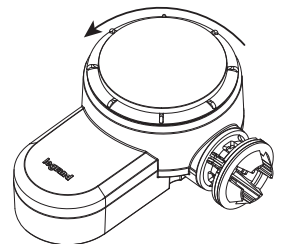
Seleccione el **Modo** y ajuste los otros potenciómetros rotativos con un destornillador pequeño.

NOTA: Un sexto modo, el modo de Prueba, se accede automáticamente cuando se selecciona el modo A. Ver página 17 para más detalles.

Set (Ajustar) – Este potenciómetro rotativo se usa para ajustar tres parámetros diferentes, dependiendo del modo actual: **Nivel de Luz Deseado** (en pies-candela (footcandles)), **Punto de Ajuste de Espera**, y **Ajuste Alto**.

- El HBP-212 tiene una fotocelda que mide la luz ambiental de forma continua. **En los modos B, C y D**, este potenciómetro ajustará el **Nivel de Luz Deseado**, con un rango de 0 pies-candela a 200 pies-candela (footcandles), y el HBP-212 ajustará la atenuación de la carga para que la cantidad combinada de luz ambiental y luz eléctrica alcance el nivel de luz deseado. Cuando este potenciómetro se establece en la posición mínima, el control de la luz del día se desactiva y el HBP-212 ajustará el nivel de luz basándose únicamente en la ocupación sin tener en cuenta la luz ambiental.
- **En el Modo A**, este potenciómetro determina el nivel de luz para el **Punto de Ajuste de Espera**, con un rango de 0 pies-candela a 200 pies-candela. Cuando se establece en la posición mínima, el punto de ajuste de espera del nivel de luz se desactiva.
- **En el Modo E**, este potenciómetro controla el nivel de atenuación actual, permitiendo la confirmación visual del **nivel** de Ajuste Alto. El nivel de ajuste alto se usa para calcular el nivel de atenuación bajo, que varía según el modo, como se describe a continuación. También determina el nivel máximo de iluminación en el Modo A, y si la fotocelda está desactivada, determina el nivel máximo de iluminación para los modos B, C y D.

Gire el lente para removerlo y exponer los potenciómetros.



Time (Tiempo) – Este potenciómetro rotativo establece la cantidad de tiempo de retardo después de que la ocupación ya no se detecta antes de que las cargas vayan al valor de Ajuste Bajo. Además, para los modos A y B, esto controla la cantidad de tiempo antes de que la carga vaya desde el Ajuste Bajo a Apagado. El tiempo será la mitad del retardo inicial. Por ejemplo, si el tiempo se establece en 20 minutos, la carga irá de Encendido a nivel de Ajuste Bajo 20 minutos después de que ya no se detecte la ocupación. La carga se apagará entonces 10 minutos después de que pasa al nivel de Ajuste Bajo.

Tiempo Fade – Para todos los modos, excepto el Modo E y el Modo de Prueba, el tiempo de desvanecimiento de DESACTIVADO a ENCENDIDO o APAGADO al Nivel Atenuado Alto es de 2 segundos y el tiempo de atenuación gradual de ENCENDIDO a Nivel Atenuado Bajo o Nivel Atenuado Bajo a APAGADO es 10 segundos. Para el Modo E y el Modo de Prueba, el tiempo de desvanecimiento gradual hacia arriba y abajo es de 0 segundos.

Modo A – Atenuación Alta/Baja/Apagada para Estructuras de Estacionamiento Interior o Techos Altos

Características: Transición entre niveles Alto, Bajo y Apagado; Punto de Ajuste de Espera Ajustable; Ajuste de altura y bajos niveles de atenuación son variables

Este modo tiene un punto de ajuste de nivel de luz de espera, que se puede ajustar al nivel de luz deseado usando el potenciómetro Set o desactivarlo (cuando el potenciómetro Set está ajustado al ajuste mínimo).

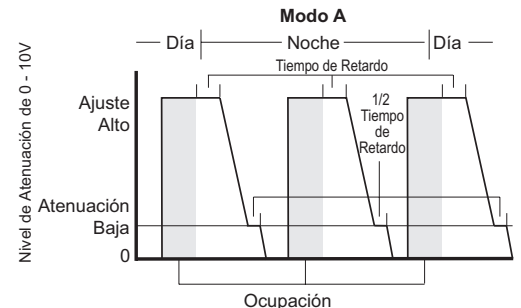
Cada vez que se detecte ocupación con el nivel de luz ambiental por debajo del punto de ajuste de espera, la carga se ENCIENDE (aumentando hasta el nivel de ajuste Alto).

NOTA: En este modo, dado que no hay control de luz natural, el nivel de Ajuste Alto será la cantidad máxima de luz para la carga. (El nivel de Ajuste Alto se establece en el Modo E.)

Una vez que no se detecta ocupación y el tiempo de retardo expira, la carga se desvanecerá hasta el Nivel de Atenuación Baja, que es 10% del nivel de Ajuste Alto. Mientras el área permanezca desocupada, la carga permanece en el nivel de Atenuación Baja durante la mitad del tiempo de retardo, y luego la carga se APAGA.

Cuando el punto de ajuste del nivel de luz de espera se habilita usando el potenciómetro Set, una vez que la carga se apaga, después de 5 segundos si el nivel de luz ambiental es mayor que el valor del punto de ajuste, la carga permanecerá APAGADA incluso si se detecta ocupación. Pero si la ocupación se detecta dentro de los 5 segundos, la carga volverá al valor de Ajuste Alto, incluso si el nivel de luz ambiente es mayor que el nivel de retención.

NOTA: Cuando selecciones el modo A, el HBP-212 ingresará inicialmente al modo de Prueba y permanecerá en modo de prueba durante 5 minutos, luego de lo cual pasará a la operación del modo A. (El Modo de Prueba es idéntico al modo A, con la excepción del Tiempo de Retardo, que se fija a 5 segundos).



Durante el día, la carga no se activará en la ocupación si la luz ambiental está por encima del punto de ajuste de retención

Modo B – Control Continuo de Atenuación con Luz Natural (Atenuado a Apagado)

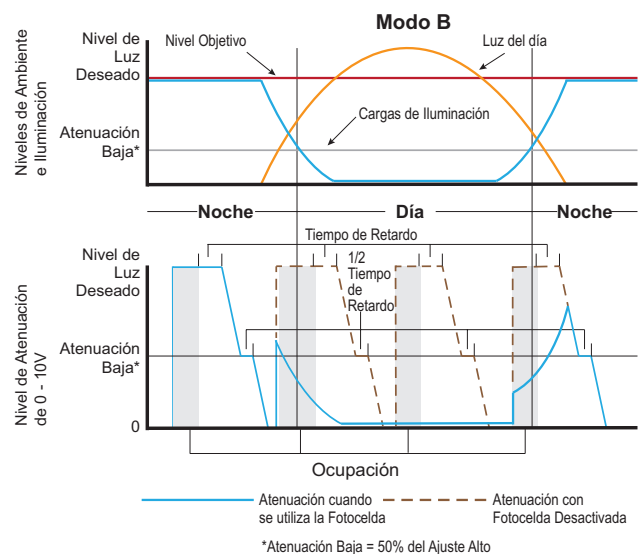
Características: Nivel de fotocelda ajustable para establecer el nivel de luz deseado cuando está ocupado

Cuando la iluminación ambiental está por debajo del nivel de luz deseado y se detecta ocupación, el sensor enciende las cargas. El nivel de atenuación se ajusta continuamente para que la cantidad de atenuación combinada con la luz ambiental coincida con el nivel de luz deseado. Si la iluminación ambiental está por encima del nivel de luz deseado cuando se detecta ocupación, la carga permanecerá APAGADA hasta que la luz ambiental caiga por debajo del nivel objetivo, momento en el que ajustará el nivel de atenuación de manera apropiada.

Una vez que no se detecta ocupación y el tiempo de retardo expira, la carga se desvanece hasta el nivel de Atenuación Baja, que es el 50% del nivel de Ajuste Alto. Mientras el área permanezca desocupada, la carga permanece en el nivel de Atenuación Baja durante la mitad del tiempo de retardo, y luego la carga se APAGA. Si el nivel de atenuación actual es inferior a la mitad del valor de Ajuste Alto, la carga se atenúa a APAGADO sin demora.

NOTA: Con la fotocelda habilitada en este modo (así como en los modos C y D), el Ajuste Alto se usa solo para calcular la cantidad de Atenuación Baja. Por lo tanto, se puede configurar en una cantidad inferior a la cantidad de atenuación máxima, que se establece en función del nivel de luz deseado. Por ejemplo: si el nivel de Ajuste Alto está configurado a 8V, en el Modo B, el nivel de Atenuación Baja será de 4V. Pero si el nivel de luz deseado es alto, las luces pueden subir a 9V ó 10V para alcanzar el nivel deseado.

NOTA: Si la fotocelda está desactivada en este modo (así como en los modos C y D), la cantidad de Ajuste Alto se usará para determinar el nivel de luz deseado, como lo hace en el Modo A.



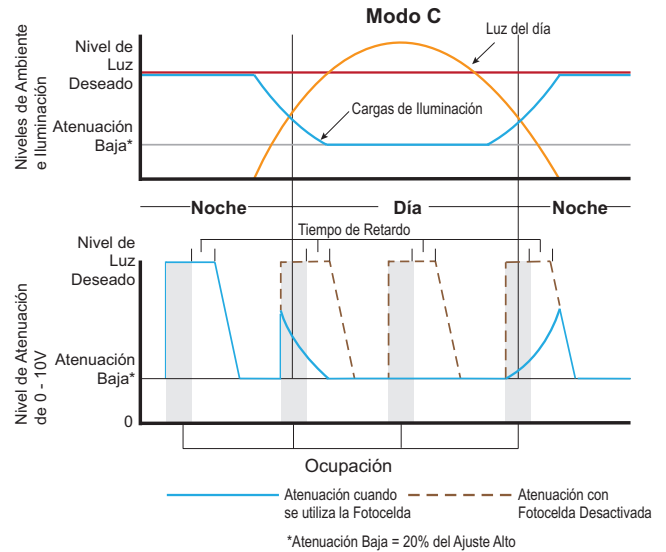
Atenuación cuando se utiliza la Fotocelda Atenuación con Fotocelda Desactivada
*Atenuación Baja = 50% del Ajuste Alto

Modo C – Control Continuo de Atenuación con luz natural (Nivel Atenuado a Bajo)

Características: Nivel de fotocelda ajustable para establecer el nivel de luz deseado; un nivel de luz mínimo siempre se mantiene.

Cuando se detecta la ocupación y si la iluminación ambiental está por debajo del nivel de luz deseado, el nivel de atenuación se ajusta continuamente para que la cantidad de atenuación combinada con la luz ambiental coincida con el nivel de luz deseado. Si la iluminación ambiental está por encima del nivel objetivo de la fotocelda, el nivel de atenuación se ajustará al nivel de Atenuación Baja (20% del valor de Ajuste Alto).

Una vez que el área está desocupada y el tiempo de retardo expira, el nivel de carga se atenuará al nivel de Atenuación Baja (20% del valor de Ajuste Alto). La carga nunca se apagará completamente.



Modo D – Control Continuo de Atenuación con Luz Natural (Niveles de Atenuación Bajos Separados cuando No Hay Ocupación)

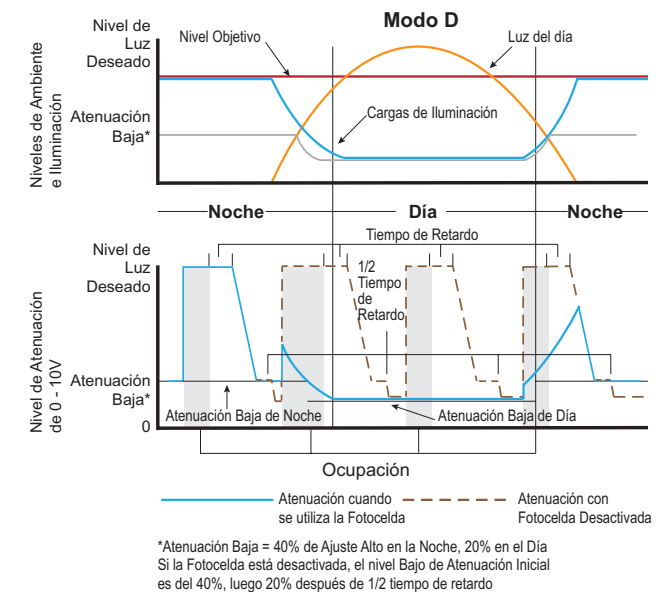
Características: Nivel de fotocelda ajustable para establecer el nivel de luz deseado; siempre se mantiene un nivel mínimo de luz, con niveles mínimos de tiempo diurno y nocturno separados

Durante el día, cuando se detecta ocupación y si la iluminación ambiental está por debajo del nivel de luz deseado, el nivel de atenuación se ajusta continuamente para que la cantidad de atenuación combinada con la luz ambiental coincida con el nivel de luz deseado. Una vez que el nivel de atenuación alcanza el 40% del nivel de ajuste alto, el sensor considerará que es de noche y se comportará como se describe en el siguiente párrafo. Si la iluminación ambiental está por encima del nivel objetivo de la fotocelda, el nivel de atenuación se ajustará al nivel de Atenuación Baja del Día (20% del valor de Ajuste Alto). Además, cuando no hay ocupación y el tiempo de retardo expira, el nivel de carga se desvanecerá hasta el nivel de Atenuación Baja del Día.

Durante la noche, cuando se detecta ocupación, el nivel de atenuación se ajusta al nivel de luz deseado. Cuando no hay ocupación y el tiempo de retardo expira, el nivel de carga se atenuará al nivel de Atenuación Baja Nocturna (40% del valor de Ajuste Alto) para mantener un nivel de luz seguro. Una vez que el nivel de atenuación es inferior al 40% de la operación de ajuste alto, el sensor vuelve a su función diurna.

En este modo, la carga nunca se apagará completamente.

NOTA: Si la fotocelda está desactivada, entonces no se aplica el comportamiento de hora diurna/nocturna. En este caso, después de que el tiempo de retardo expire, las luces se atenuarán al 40% del nivel de Ajuste Alto, y luego después de una cantidad adicional 1/2 del tiempo de retardo, las luces se atenuarán aún más al 20% del nivel de atenuación alto.



Modo E – Modo de Servicio/Configuración

Características: Permite el ajuste visual del nivel de Ajuste Alto

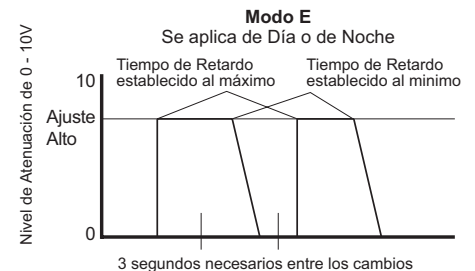
Si el potenciómetro **Time** está configurado al máximo, la carga se activará al nivel de Ajuste Alto. Ajuste el potenciómetro **Set** a la cantidad deseada. Esta cantidad será la cantidad máxima de luz en el Modo A y establecerá la cantidad de Ajuste Alto para Modos, B, C y D. Si el potenciómetro de **Time** está configurado como mínimo, la carga se APAGA.

Ten en cuenta que después de girar el potenciómetro de Tiempo para cambiar la configuración Encendido/Apagado, la unidad no responderá a cambios adicionales durante 3 segundos.

Modo de Prueba

El modo de prueba establece la demora del tiempo a 5 segundos para permitir probar el sensor de ocupación.

Siempre que se seleccione el Modo A usando el potenciómetro **Mode**, el HBP-212 ingresará al modo de Prueba durante 5 minutos. Si el HBP-212 se encuentra actualmente en el modo A, seleccionando otro modo y luego regresando al modo A, reiniciará el modo de Prueba. Durante el modo de Prueba, el control de la luz del día no está activo y el valor del potenciómetro **Time** está anulado. Cuando se detecta ocupación, la carga se ENCENDERÁ en el valor Ajuste Alto. Una vez que no se detecta ocupación, la carga llegará al nivel de Atenuación Baja después de 5 segundos, y luego permanecerá en ese nivel durante 2.5 segundos, antes de APAGARSE. Después de 5 minutos, la unidad volverá a la operación normal del Modo A.



Resumen del Modo

	Control de Luz Diurna	Atenuación Alta/Baja	Tiempo de Retardo	Encendido Automático	Apagado Automático
Modo A	No	Ajuste Alto/ 10% de Ajuste Alto	30 seg. - 30 min. 1/2 del valor establecido durante el Ajuste Bajo	Ocupación detectada	Medio tiempo de retardo expirado
Modo B*	Sí	Ajuste Alto/ 50% de Ajuste Alto	30 seg. - 30 min. Predeterminado - 15 min.	Ocupación detectada	Medio tiempo de retardo expirado o nivel de luz ambiental por encima del nivel de fotocelda objetivo
Modo C	Sí	Ajuste Alto/ 20% de Ajuste Alto	30 seg. - 30 min.	Ocupación detectada	La Carga Siempre Está Encendida
Modo D	Sí	Ajuste Alto/ 20% de Ajuste Alto en el Día 40% de Ajuste Alto en la Noche	30 seg. - 30 min. 1/2 del valor establecido durante el Ajuste Bajo	La carga siempre está Encendida	La Carga Siempre Está Encendida
Modo E	No	Ajuste Alto	No procede	La carga está ENCENDIDA en el nivel de Atenuación cuando el potenciómetro rotativo del retardo de tiempo se encuentra en la posición máxima	La carga está DESACTIVADA cuando el potenciómetro rotativo de retardo de tiempo se encuentra en la posición mínima

* Configuración del Modo Predeterminado

SOLUCIÓN DE PROBLEMAS

Las luces no se encienden a su valor máximo:

- Asegúrese de que el sensor no esté bloqueado.
- Si el modo se establece en A o B, compruebe el parámetro de nivel de luz para conocer la cantidad de luz que el sensor está detectando. Cubra el lente del sensor para simular oscuridad en la habitación. Si las luces se encienden, el nivel de luz ambiental es demasiado alto.
- Mientras esté en los modos A o B, si el LED rojo parpadea 2 veces por segundo cuando se activa el sensor, el nivel de luz ambiental es demasiado alto.
- Asegúrate de que el HBP-212 no esté configurado en el Modo E (modo de Servicio) y el potenciómetro rotativo de retardo de tiempo no esté en la posición mínima.
- Si las luces todavía no se encienden, llama al 800.879.8585 para obtener soporte técnico.

Las luces no irán al Nivel de Atenuación:

- Revise todas las conexiones de cables y verifique que los cables de atenuación estén bien ajustados.
- Asegúrese de que el sensor no esté bloqueado.
- Verifique la configuración de nivel de luz deseada, para averiguar la cantidad de luz que el sensor está detectando. Cubra el lente del sensor para simular oscuridad en la habitación. Si está en F, el nivel de luz ambiental es demasiado alto.
- El tiempo de retardo se puede establecer desde un mínimo de 30 segundos hasta un máximo de 30 minutos. Asegúrese de que el retardo de tiempo esté configurado al retardo deseado y que no haya movimiento dentro de la vista del sensor durante ese período de tiempo.
- Para probar rápidamente el funcionamiento de la unidad, habilite el modo de prueba y salga de la vista del sensor. Las luces deben bajar gradualmente al nivel de atenuación después de 5 segundos y luego se apagarán después de 2.5 segundos.
- Si las luces aún no se ajustan al nivel de atenuación, llama al 800.879.8585 para obtener asistencia técnica.

Las luces no se apagan:

- Asegúrese de que el HBP-212 no esté configurado en el Modo E (modo de Servicio) y el potenciómetro rotativo de retardo de tiempo no esté en la posición máxima.
- Para probar rápidamente el funcionamiento de la unidad, habilite el modo de prueba y salga de la vista del sensor. Las luces deben bajar gradualmente al nivel de atenuación después de 5 segundos y luego se apagarán después de 2.5 segundos.
- Una Activación Falsa se puede producir si el sensor es expuesto a condiciones de temperatura ambiente elevada, de modo que asegúrese que el lugar de instalación tiene una temperatura ambiente adecuada.
- Si las luces todavía no se apagan, llama al 800.879.8585 para obtener soporte técnico.

INFORMACIÓN PARA HACER PEDIDOS

N.º de catálogo	Descripción
HBP-212	Montaje alto, Bajo voltaje 0–10V, Sensor de ocupación infrarrojo pasivo
HBP-L7	Lente de Montaje Alto/Bajo para montaje de 8 – 40 pies para serie HBP
HBP-EM1	Módulo de extensión de montaje Alto/Bajo para la serie HBP

WARRANTY INFORMATION

Wattstopper warrants its products to be free of defects in materials and workmanship for a period of five (5) years. There are no obligations or liabilities on the part of Wattstopper for consequential damages arising out of, or in connection with, the use or performance of this product or other indirect damages with respect to loss of property, revenue or profit, or cost of removal, installation or reinstallation.

INFORMATIONS RELATIVES À LA GARANTIE

Wattstopper garantit que ses produits sont exempts de défauts de matériaux et de fabrication pour une période de cinq (5) ans. Wattstopper ne peut être tenu responsable de tout dommage consécutif causé par ou lié à l'utilisation ou à la performance de ce produit ou tout autre dommage indirect lié à la perte de propriété, de revenus, ou de profits, ou aux coûts d'enlèvement, d'installation ou de réinstallation.

INFORMACIÓN DE LA GARANTÍA

Wattstopper garantiza que sus productos están libres de defectos en materiales y mano de obra por un período de cinco (5) años. No existen obligaciones ni responsabilidades por parte de Wattstopper por daños consecuentes que se deriven o estén relacionados con el uso o el rendimiento de este producto u otros daños indirectos con respecto a la pérdida de propiedad, renta o ganancias, o al costo de extracción, instalación o reinstalación.