

TSDFB83PW

Energy-saving dimming for fluorescent loads.

TSDFB83P*

Dimmers help save energy simply, and now offer a better fit, form and finish. Compatible with fluorescent dimmable bulbs, these dimmers feature constant memory that returns lights to the previous level after a power failure for automatic control and convenience.

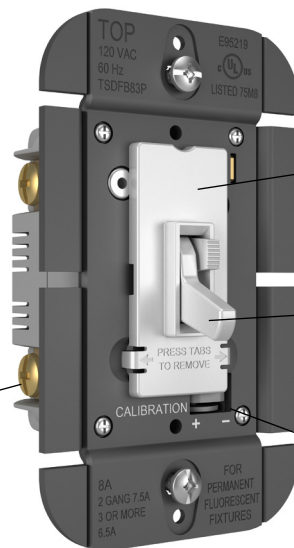
*Denotes color suffix

Features & Benefits

New aesthetically pleasing ergonomic design allows for easier operation

Constant memory returns lights to previous levels after a power failure

Screw-pressure-plate backwire terminals save time, space and money



Interchangeable face plates available in seven colors (TSDKIT*; sold separately)

Convenient operation – combines ON/OFF toggle switch with separate slider for dimming control

Adjustment dial allows users to adjust the bottom of the dimming range for fluorescent ballasts

TSDFB83PW

- Preset, Single Pole and 3-Way operation.
- Compatible with fluorescent ballasts.
- Lifetime warranty.



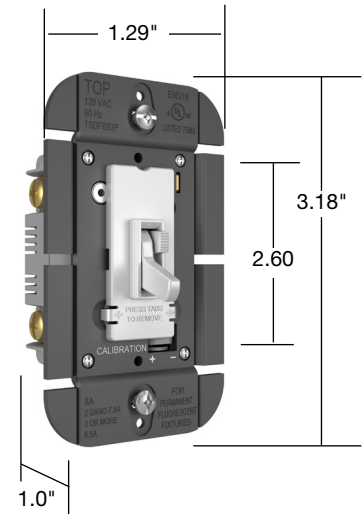
3rd Party Compliance

cULus listed, UL1472, CSA LISTED

Technical Information

Performance

Electrical	
Supply Voltage	120VAC
Ratings	8A
Frequency	60Hz
Installation	Single Pole or 3-Way
Environmental	
Application	Indoor Use Only
Mechanical	
Enclosure Material	Polycarbonate



TSDFB83PW

Warranty

Lifetime

Ordering Information

Fluorescent Dimmers


Catalog Number	Description	Color	Voltage	Rating
TSDFB83PTC	Preset, Single Pole and 3-Way	Three interchangeable Face Colors: Ivory, White, Light Almond	120VAC 60Hz	8A
TSDFB83PW	Preset, Single Pole and 3-Way	Face Color: White	120VAC 60Hz	8A
TSDFB83PLA	Preset, Single Pole and 3-Way	Face Color: Light Almond	120VAC 60Hz	8A
TSDFB83PI	Preset, Single Pole and 3-Way	Face Color: Ivory	120VAC 60Hz	8A
TSDFB83P	Preset, Single Pole and 3-Way	Face Color: Brown	120VAC 60Hz	8A
TSDFB83PBK	Preset, Single Pole and 3-Way	Face Color: Black	120VAC 60Hz	8A
TSDFB83PRED	Preset, Single Pole and 3-Way	Face Color: Red	120VAC 60Hz	8A
TSDFB83PGRY	Preset, Single Pole and 3-Way	Face Color: Gray	120VAC 60Hz	8A
TSDKIT		Brown		
TSDKITBK		Black		
TSDKITGRY		Gray		
TSDKITI	Interchangeable Faces	Ivory		
TSDKITLA		Light Almond		
TSDKITW		White		
TSDKITRED		Red		

Vertical Markets

- Office
- Residential
- Multiple Dwelling
- Hospitality/Lodging

Available in the radiant® collection

- GFCI Receptacles
- Tamper-Resistant and Standard Duplex Receptacles
- Paddle Switches
- Fan Controls
- Sensors
- Timers
- Home Automation Controls
- USB Charging Devices
- Night Lights
- Screwless Wall Plates

 The paper used to print this document is an environmentally responsible paper with 10% post consumer waste, with FSC and SFI Chain of Custody certifications, Lacey Act compliant. 100% of the electricity used to manufacture Flo sheets is generated with Green-e certified renewable energy.

All brand and product names referenced in this document are registered trademarks or trademarks of their respective holders.



Legrand, North America
60 Woodlawn Street
West Hartford, CT 06110
1.877.BY.LEGRAND (295.3472)
www.legrand.us
905.738.9195
www.legrand.ca

