

WIDE ANGLE PIR OCCUPANCY SENSOR

FS-705



DESCRIPTION

The FS-705 Wide Angle PIR Occupancy Sensor controls lighting based on occupancy utilizing passive infrared (PIR) technology. The sensor provides 180 degree coverage and is designed for locations that require wide angle occupancy detection, such as refrigerator and freezer cases, vending machines and aisleway displays.

OPERATION

The FS-705 is a self-contained, 24 VDC device that operates via a 120, 230 or 277 VAC Wattstopper power pack. By detecting the difference between infrared energy from a human body in motion and the background space within the controlled area, the sensor turns lighting systems on. When occupants leave the controlled area, it switches lighting off after the user-selectable time delay elapses.

WIDE ANGLE AND SENSITIVITY RANGE

Equipped with a Fresnel lens and a unique dual pyro, the FS-705 can cover more than 40 detection zones in all directions. Coverage is adjustable to 12 or 15 feet. When mounted at seven feet six inches above the floor, the sensor provides true 180 degree horizontal coverage and 70 degree vertical coverage to efficiently monitor the controlled area. The sensor's time delay adjusts to one of four settings: thirty seconds, one minute, two minutes or eight minutes.

APPLICATIONS

The FS-705 offers excellent control of lighting for locations where wide angle coverage is needed, such as refrigerator and freezer cases, vending machines and aisleways. Its wide coverage pattern detects motion before a person reaches the display area to turn lighting on, and turns off lighting when the area is vacant for the user-adjustable time delay. In cold food aisles, one sensor is typically used per case. It is ideally suited to controlling LED lighting. Sensor performance will provide fast payback and many years of energy savings.

FEATURES

- Dual pyro covers more than 40 detection zones
- Coverage pattern adjustable to 12 or 15 feet when mounted 7'6" above the floor
- Time delay selectable to one of four settings (30 seconds, 1 minute, 2 minutes or 8 minutes)
- 180 degree horizontal coverage pattern
- 70 degree vertical coverage pattern
- Low voltage
- LED indicator for occupancy detection
- DIP switch simplifies sensor adjustments
- The product meets the materials restrictions of RoHS

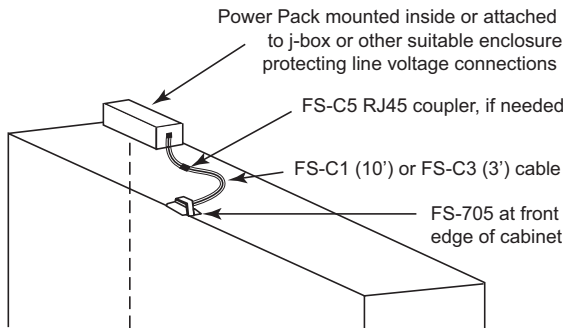
PROJECT

LOCATION/
TYPE

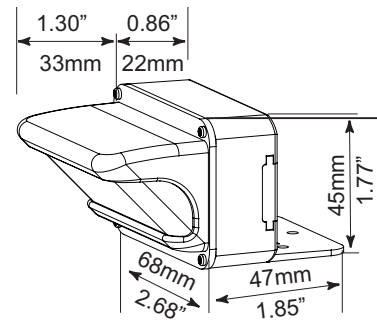
SPECIFICATIONS

- Power Supply: 24 VDC from Wattstopper Power Pack
- Current consumption: 20mA @ 24VDC
- Weight: 2.11oz (60 grams)
- Detection indication: red LED
- Operating temperature range: 32–131°F (0–55°C)
- Storage temperature range: -22–176°F (-30–80°C)
- UL and CUL listed
- Five year warranty

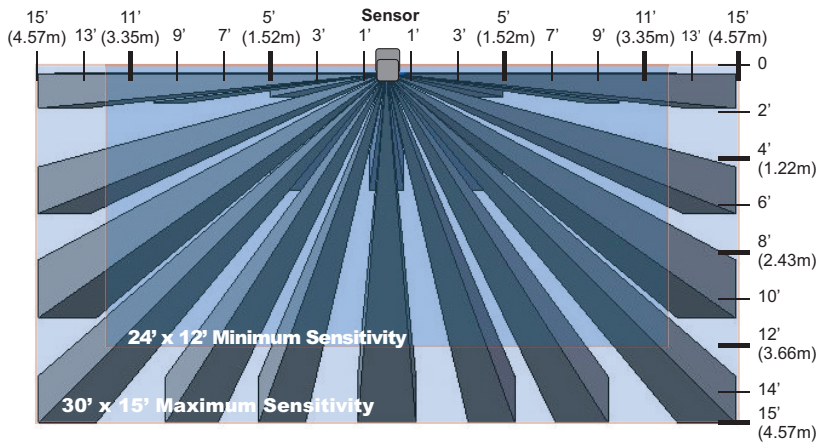
MOUNTING



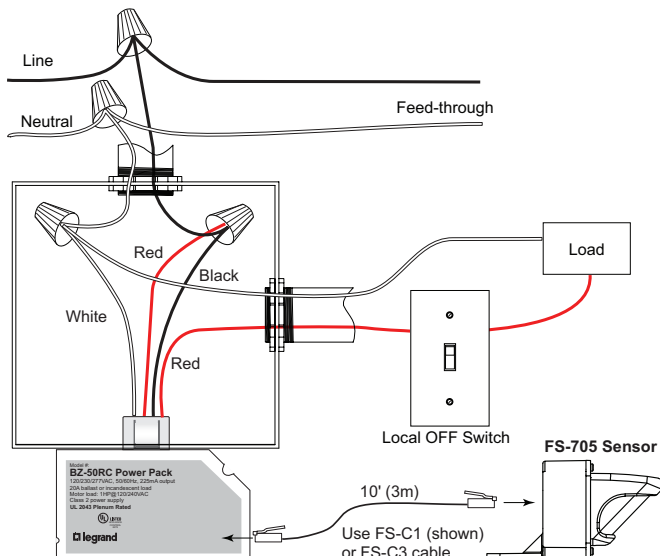
DIMENSIONS



COVERAGE



WIRING WITH A BZ-50RC POWER PACK



ORDERING INFORMATION

Catalog #	Color	Description	Load Capacity
<input type="checkbox"/> FS-705-W	White	Wide Angle PIR Occupancy Sensor, 24 VDC	Current Consumption 20mA
<input type="checkbox"/> FS-705-B	Black	Wide Angle PIR Occupancy Sensor, 24 VDC	
<input type="checkbox"/> FS-705-G	Gray	Wide Angle PIR Occupancy Sensor, 24 VDC	
<input type="checkbox"/> BZ-50	White	Universal Volt. Power Pack w/flying leads, 120/277/230/240 VAC (Single Phase), 50/60H	225 mA @ 24 VDC
<input type="checkbox"/> BZ-50RC	White	Universal Volt. Power Pack w/RJ45 connector, 120/277/230/240 VAC (Single Phase), 50/60H	225 mA @ 24 VDC
<input type="checkbox"/> BZ-150	White	Universal Volt. Power Pack w/flying leads, manual/auto-on option, 120/277VAC; 50/60Hz	225 mA @ 24 VDC
<input type="checkbox"/> BZ-250	White	Lighting and Plug Load Flex Control Power Pack w/flying leads, manual/auto-on option, 120-277VAC, single phase; 50/60Hz	225 mA @ 24 VDC
<input type="checkbox"/> BZ-250-347	White	Lighting and Plug Load Flex Control Power Pack w/flying leads, manual/auto-on option, 120-347VAC, single phase; 50/60Hz	225 mA @ 24 VDC
<input type="checkbox"/> FS-C1		10' cable with shielded RJ45 male connectors at each end	
<input type="checkbox"/> FS-C1-20		20' cable with shielded RJ45 male connectors at each end	
<input type="checkbox"/> FS-C2		6" cable with 3 flying leads at one end and a shielded RJ45 male connector on the other	
<input type="checkbox"/> FS-C3		3' cable with shielded 90° male RJ45 on one end and a shielded straight male RJ45 at the other	
<input type="checkbox"/> FS-C4		Shielded RJ45 splitter with female to dual female receptacles	
<input type="checkbox"/> FS-C5		Shielded RJ45 male to male coupler	

NOTE: The FS-705 Low Voltage Sensor requires a BZ Series Power Pack (ordered separately) to operate.