

LOW VOLTAGE INDOOR/OUTDOOR FIXTURE INTEGRATED OCCUPANCY SENSOR

FS-305

Low-profile fixture-
integrated sensor

Multiple lens choices

Adjustable time delay



IP65 rated for indoor and
outdoor wet locations

Daylighting light level feature



DESCRIPTION

The FS-305 PIR occupancy sensor turns lighting on and off automatically based on occupancy. It is a low voltage, low-profile device, designed for installation inside the bottom of either an indoor or outdoor lighting fixture body.

OPERATION

The FS-305 consists of two components, a sensor and a lens. Four lens choices provide flexibility for varying mounting heights. When occupancy is detected within the sensor's coverage area, the sensor signals lighting to turn on automatically. When occupancy is no longer detected and the time delay has elapsed, lighting automatically turns off. The FS-305 can be wired to control all loads in a fixture, or to provide hi/low control of LED arrays. The Light Level feature in the FS-305 holds lights off when adequate daylight exists.

WET LOCATION RATING

The FS-305 features the IP65, UL244A and UL508 ratings for indoor or outdoor wet locations when fully assembled and installed with FS-LxW lenses. To obtain this rating, the sensor underwent extremely rigorous testing. The IP65 rating means the sensors are totally protected against dust and low-pressure jets from all directions when installed in an IP65 lighting fixture.

APPLICATIONS

The FS-305 sensor is ideal for damp or wet indoor or outdoor locations. It is suitable for use in parking garages, parking lot luminaires, as well as any outdoor application when installed in a UL-rated outdoor fixture.

FEATURES

- Adjustable time delay from 30 seconds to 30 minutes
- Fixed sensitivity optimized for FS-LxW lens coverages
- The product meets the materials restrictions of RoHS
- Light level daylighting feature from 10–120 fc
- IP65 and UL 244A and 508 rated (when fully assembled and installed with FS-L2W, FS-L3W, or FS-L7W lenses)
- Four interchangeable lenses (FS-L2W, FS-L3W, FS-L7W, FS-L6) for mounting between 8' and 40' (ordered separately)

PROJECT

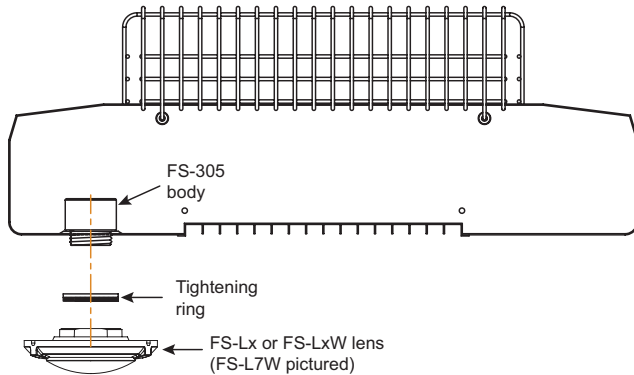
LOCATION/
TYPE

SPECIFICATIONS

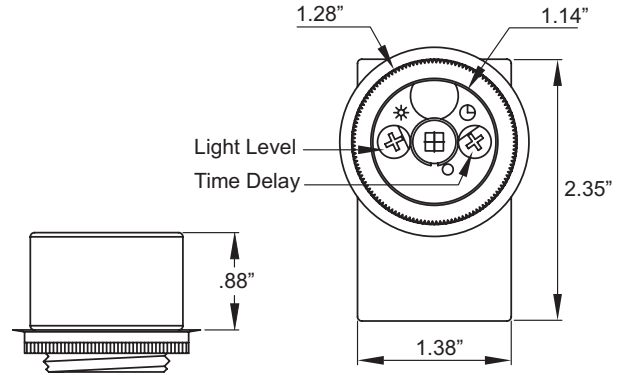
- 12–30VDC (requires FS-PPv2 power pack for operation)
- Current consumption: maximum 6.5mA @ 24VDC
- Light level daylighting feature (10–120 fc)
- Operating temperature: -40–131°F (-40–55°C)
- Storage temperature: -40–176°F (-40–80°C)
- Operating Humidity: 20–90%
- Weight: 1.5 oz (42.52 grams)
- Five year warranty
- IP65, UL244A and UL508 rated
- UL and cUL listed

SETTINGS, DIMENSIONS & MOUNTING

Mounting

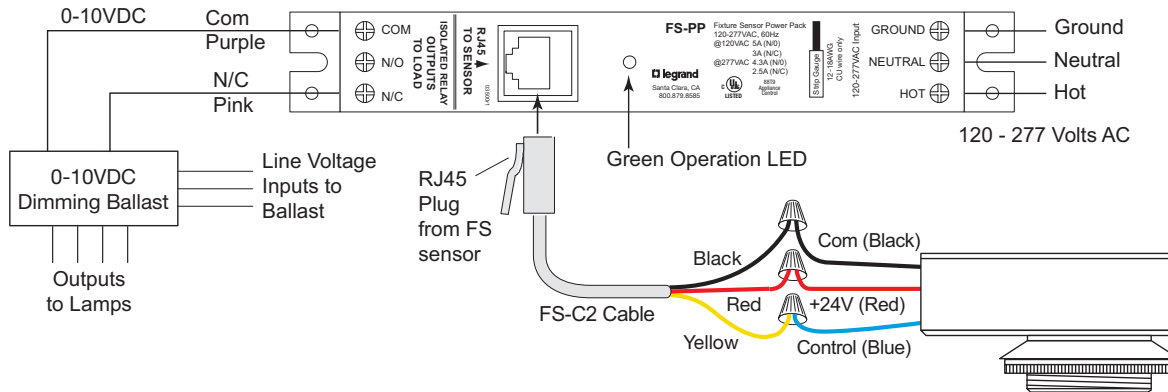


Dimensions and Settings



WIRING & CONNECTIONS

FS-305 Wiring



ORDERING INFORMATION

Catalog #	Color	Description	Input Voltage
<input type="checkbox"/> FS-305	White	Fixture mount, passive infrared occupancy sensor, low voltage	12–30 VDC
<input type="checkbox"/> FS-305RC	White	Fixture mount, passive infrared occupancy sensor with RJ45 connection, low voltage	12–30 VDC
<input type="checkbox"/> FS-PPv2	White	Power Pack, 120/277/347 VAC; 60 Hz	
<input type="checkbox"/> FS-C1		10' cable with shielded RJ45 male connectors at each end (for FS-305RC)	
<input type="checkbox"/> FS-C1-20		20' cable with shielded RJ45 male connectors at each end (for FS-305RC)	
<input type="checkbox"/> FS-C2		Connector cable, 6" cable with 3 flying leads at one end and a shielded RJ45 male connector on other end (for FS-305)	
<input type="checkbox"/> FS-C3		3' cable with shielded 90° male RJ45 on one end and a shielded straight male RJ45 at the other (for FS-305RC)	

NOTE: The FS-305 and FS-305RC sensors require an FS-PP or other Wattstopper Power Pack (ordered separately) to operate.

25862r3 Rev 09/2021