

## SELF-POWERED RF REMOTE SWITCHES

## EORS-100 SERIES

Wireless 1- and 2-button  
wall switches

Mount in standard J-box

Provide multi-way control with  
no wiring or batteries



Transmitter for wireless  
communication with RF wall  
switches

Work with 1- and 2-relay RF  
wall switches

Radio transmission range up  
to 150'

## Description

EORS-100 Series remote switches provide wireless remote control of lighting loads wired to EOSW-100 Series RF Wall Switches. They do not require any electrical connections or any batteries for operation. Models are available with one or two control buttons in a single-gang device.

## Operation

Prior to use, each control button on an EORS-100 remote switch must be paired with selected load(s). The remote switches operate using kinetic energy generated when a user pushes a control button. The button action transmits an RF signal to the paired RF Wall Switch(es) connected to the controlled load(s) to toggle the load(s) on or off.

## Features

- Remote switches work with EOSW-100 RF wall switches
- Provide multi-way control without wires
- Self powered switches do not require batteries
- Compatible with decorator wall plates

## RF Communications

The RF transmission range is approximately 50' to 150', depending on product placement.

## Applications

Self-powered remote switches are ideal for retrofit applications where rewiring is prohibitive. Paired with RF wall switches and wireless occupancy sensors, EORS-100 remote switches are perfect for retrofitting small conference rooms, private offices, executives office, hallways and storage rooms.

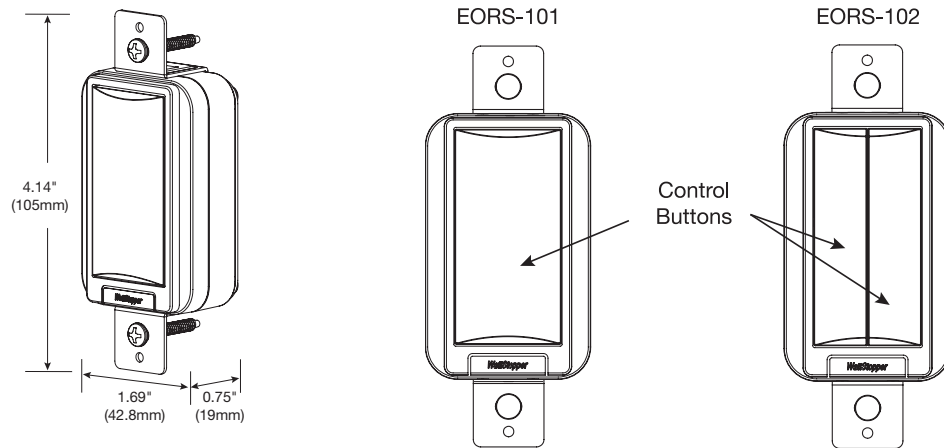
PROJECT	LOCATION/ TYPE

## Specifications

- Self-powered when switch is pressed
- 1 or 2 control buttons
- Pair with RF Wall Switch(es)
- Frequency: 902 MHz, integrated whip antenna
- Operating conditions: for indoor use only; 32-104°F (0-40°C); 5-95% RH, non condensing
- UL and cUL listed
- FCC part 15 compliant
- Five year warranty

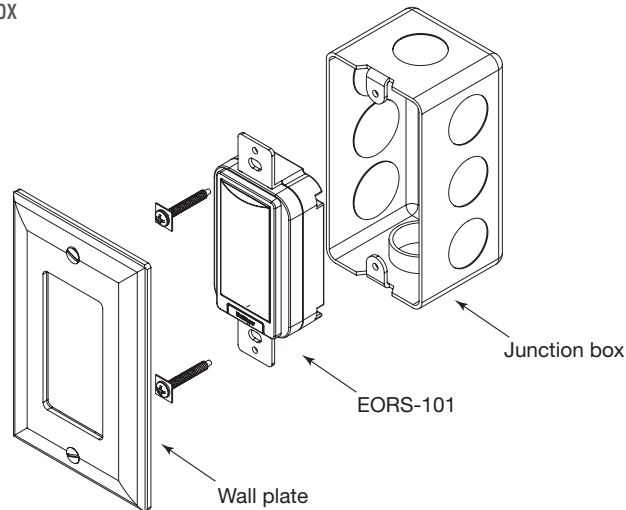
## Controls and Settings

### Product Dimensions and Controls



## Mounting Diagram

### Mounting in Standard Electrical Box



## Ordering Information

Catalog #	Color	Description	Voltage
<input type="checkbox"/> EORS-101-W	White	1-button RF remote wall switch	Self-powered when switch is pressed
<input type="checkbox"/> EORS-101-LA	Lt. Almond		
<input type="checkbox"/> EORS-101-I	Ivory		
<input type="checkbox"/> EORS-101-G	Grey		
<input type="checkbox"/> EORS-101-B	Black		
<input type="checkbox"/> EORS-102-W	White	2-button RF remote wall switch	Self-powered when switch is pressed
<input type="checkbox"/> EORS-102-LA	Lt. Almond		
<input type="checkbox"/> EORS-102-I	Ivory		
<input type="checkbox"/> EORS-102-G	Grey		
<input type="checkbox"/> EORS-102-B	Black		

Order wall plate separately.