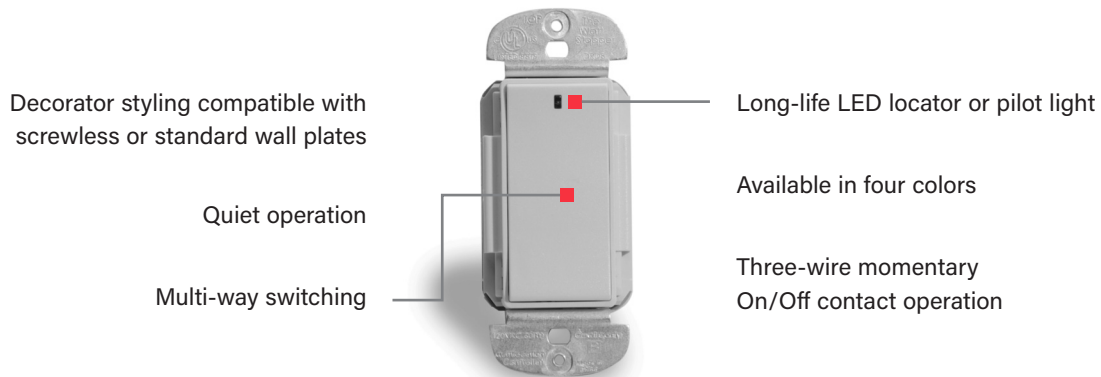


DECORATOR LOW VOLTAGE MOMENTARY SWITCH

DCC2



DESCRIPTION

The Decorator Low Voltage Momentary Switch (DCC2) has a clean appearance and provides significant benefits over other three-wire momentary devices. It is intended for use with Wattstopper lighting control panels and other applications requiring a momentary contact switch that provides on/off signals. Available in four colors, it complements other decorator devices and matches the full line of Wireless Lighting Control Decorator products.

OPERATION

When the top of the switch is pressed down, the DCC2 makes an internal contact between an on and common terminal. When the bottom of the switch is pressed, it makes an internal contact between an off and common terminal. This allows the switch to provide an on/off signal to a relay panel or other device.

Three- and four-way switching is easily accomplished by parallel wiring a DCC2 to any number of other DCC2 switches. And by field wiring a jumper between the on and off terminals, the DCC2 can provide a two-wire momentary output to allow its use with Wattstopper occupancy sensors or the manual-on BZ-150 Universal Voltage Power Pack.

LOCATOR OR PILOT LIGHT

The DCC2 includes an internal green LED which can function as either a locator or pilot light, depending upon the application and how the switch is wired. By incorporating an LED inside the switch instead of another light source, the end-user is assured of both a long lamp life and very low power consumption.

APPLICATIONS

The DCC2 can operate a wide array of Wattstopper products, including lighting control panels, occupancy sensors and power packs. Additionally, its simple contact closure interface can provide a momentary on and off signal to many other devices, allowing it to initiate actions for other manufacturer's devices (e.g., those that output DMX512 or RS485 signals that can control LEDs or other lighting systems).

FEATURES

- Long-life LED locator/pilot light
- Three-way, four-way and multi-way switching
- Unlimited number of switches may be connected
- Decorator styling
- Available in light almond, black, ivory and white

PROJECT

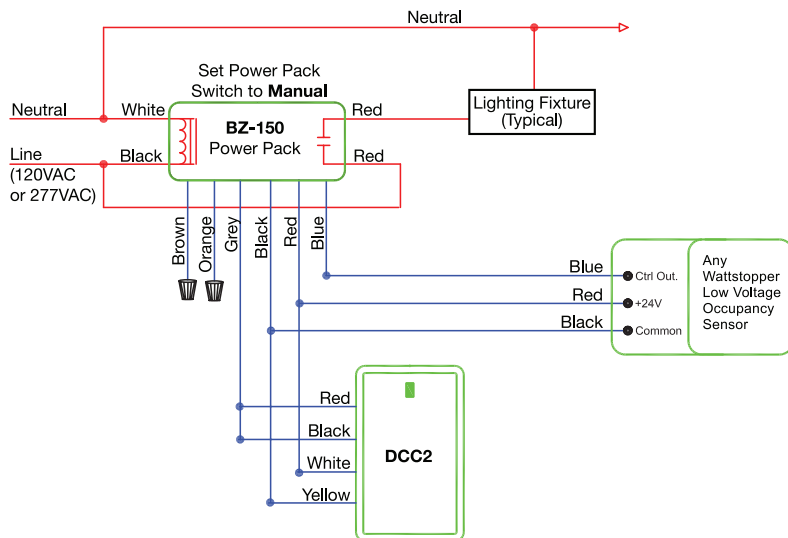
LOCATION/
TYPE

SPECIFICATIONS

- 12VAC/VDC, 24V Rectified, 24VAC/VDC
- 50mA Max. Internal Contact rating
- 500mΩ resistance when closed
- Single pole, double throw with center position rest
- Fits conventional decorator switch openings
- Dimensions: 2.64" x 1.75" x 1.98"
(67.1mm x 44.5mm x 50.3 mm)
L x W x D; depth in wall 1.65" (41.9mm)
- Five-year warranty

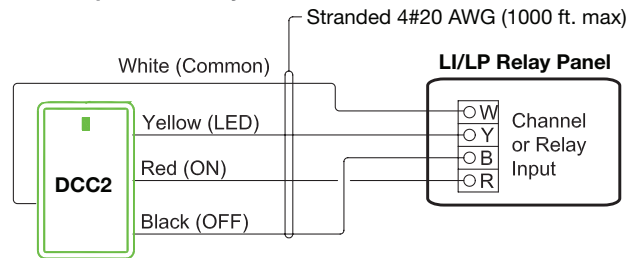
WIRING

As an Input to a BZ-150 Power Pack for Manual-on Operation



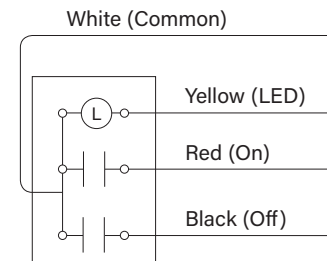
As shown, the LED on the DCC2 is always on, serving as a locator. To disable, disconnect and cap the yellow wire.

As an Input to a Relay Panel

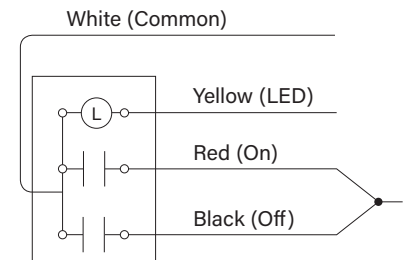


As shown above, the DCC2 LED is a Pilot Light. To use the LED as a locator, connect the yellow wire to the panel's 24V supply.

As a Three-wire Momentary



As a Two-wire Momentary



ORDERING INFORMATION

Catalog #	Color	Description	Voltage
<input type="checkbox"/> DDC2-W	White	Decorator Low Voltage Momentary Switch	12VAC/VDC, 24V Rectified, 24VAC/VDC
<input type="checkbox"/> DDC2-A	Light Almond		
<input type="checkbox"/> DDC2-I	Ivory		
<input type="checkbox"/> DDC2-B	Black		

31768r1 Rev 11/2021