

# COOPER Lighting

# INSTALLATION INSTRUCTIONS

**IMPORTANT :** READ CAREFULLY BEFORE INSTALLING FIXTURE. RETAIN FOR FUTURE REFERENCE

## Ridgeview LED

### Sheet 1 of 2

1/8/10

IMI-726



**GENERAL:** Upon receipt of the fixture, thoroughly inspect for any freight damage which should be brought to the attention of the delivery carrier. Compare the catalog description listed on the packing slip with the fixture label on the housing to assure you have received the correct material.

**SAFETY:** This fixture must be wired in accordance with the National Electrical Code and applicable local codes and ordinances. Proper grounding is required to insure personal safety. Carefully observe grounding procedure under installation section.

**WARNING:** Make certain power is OFF before starting installation or attempting any maintenance. Risk of fire/electric shock. If not qualified, consult an electrician.

- RISK OF ELECTRIC SHOCK—Disconnect power at fuse or circuit breaker before installing or servicing
- RISK OF BURN—Disconnect power and allow fixture to cool before servicing
- RISK OF PERSONAL INJURY—Fixture may become damaged and/or unstable if not installed properly.
- DO NOT mount luminaire within 6" of a combustible surface. DO NOT handle luminaire by the glass. DO NOT touch LEDs.

**NOTE:** This lighting fixture is designed for outdoor lighting services and should not be used in area of limited ventilation or in high ambient temperature enclosures. It must be stored in a dry location prior to installation. Do not expose lighting fixture to rain, dust or other environmental conditions prior to installation and insertion of photocontrol or shorting cap [if so equipped]. Construction is suitable for down lighting only. Best results will be obtained if installed and maintained according to the following recommendations:

#### INSTALLATION:

Your lighting fixture has been shipped complete with one of several mounting options. Please follow the installations instructions specific to the catalog part that you ordered.

#### TOOLS REQUIRED:

Ratchet, 1/2" socket, flat blade screw driver, electrical wiring tools.

#### POLE MOUNT:

1. Loosen four [4] screws on front of light fixture. Remove cover and set aside.
2. Remove Lightbar assembly from fixture by inserting a screwdriver and carefully lifting the Lightbar assembly. This assembly is secured to fixture by a safety lanyard to prevent damage/injury. Do not remove this lanyard.
3. Install the 1st mounting bolt through the top side hole at the back of the fixture. Slide a lock washer and nut onto the bolt inside the housing but do not tighten **FIG. 1**.
4. Install the 2nd mounting bolt through the bottom side hole at the back of the fixture. Slide a lock washer and nut onto the bolt inside the housing but do not tighten **FIG. 1**.
5. Remove the pole top cap.
6. Insert the mounting bolts from steps 3 & 4 through the upper and lower holes of the arm **FIG. 2**.
7. Pull service wires through the center opening of the arm and into the center hole of the housing.
8. Hold the nut plate on the inside of the pole and insert the mounting bolts through the pole and thread into the nut plate. Assure that bolt is completely threaded through the nut plate **FIG. 2**.
9. Tighten bolts within the fixture to 45-50 ft-lbs.
10. Attach the supply side ground wire to the ground terminal connector [green wires].
11. Connect the supply side line voltage wire to the fixture side line voltage terminal connector [black wires].
12. Connect the supply side neutral wire to the fixture side neutral wire terminal connector [white wires].
13. Replace Lightbar assembly back onto fixture housing. Assure that no wiring is trapped between Lightbar assembly & housing as this may permanently damage or degrade your fixture's performance.
14. Replace the cover and tighten four [4] screws to lock Lightbars and cover into place.
15. Replace pole top cap after completion of fixture installation and wiring.

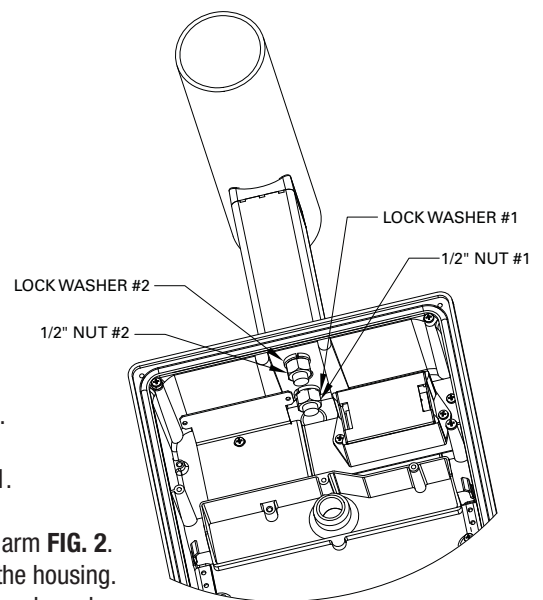


FIG. 1

These instructions do not claim to cover all details or variations in the equipment, procedure, or process described, nor to provide directions for meeting every possible contingency during installation, operation or maintenance. When additional information is desired to satisfy a problem not covered sufficiently for user's purpose, please contact your nearest representative.

**NOTE:** Specifications and dimensions subject to change without notice.

# COOPER Lighting INSTALLATION INSTRUCTIONS

**IMPORTANT :** READ CAREFULLY BEFORE INSTALLING FIXTURE. RETAIN FOR FUTURE REFERENCE

## Ridgeview LED Sheet 2 of 2

1/8/10

IMI-726

**NOTE:** For installation to round poles follow the same instructions as the square pole installation with the additional round pole (continued) adaptor inserted between the pole and the arm. **FIG. 2.** Care must be taken not to set lighting fixture down on optical lenses or lift the fixture in the lens area.

### TOOLS REQUIRED:

Phillips tip screw driver, electrical wiring tools.

### WALL MOUNT FIG. 3:

1. Pull the supply wires out of junction box [not included] and through the large hole in the center of the attachment plate.
2. Secure attachment plate to junction box using two [2] screws.
3. Connect supply wires to appropriate fixture leads:
  - a. Supply side line voltage wire to black fixture lead.
  - b. Supply side neutral wire to white fixture lead.
  - c. Supply side ground wire to green fixture lead.
4. Push the wire splices back into junction box and assemble the fixture assembly to the attachment plate by tightening the two [2] set screws at the top and bottom of the decorative wall mount plate.

**NOTE:** For use in wet environments, an appropriate sealant should be used between the mounting plate and wall surface to prevent water intrusion into any wiring junctions.

### NEMA PHOTOCONTROL ORIENTATION [IF EQUIPPED]

**NOTE:** The orientation procedure is only required for photocontrols which specifically require the cell to be aimed north. Otherwise factory orientation will function properly. Follow the directions recommended by the photocontrol supplier for proximity to light sources. Lighted signs, building surface reflection, floodlights, tree branches, etc. may affect final position of the photocontrol.

1. Loosen the two [2] screws to allow rotation of the receptacle **FIG. 4.**
2. Insert screwdriver into center slot and rotate receptacle until indicator arrow points north.
3. Retighten screws.
4. Insert the photoelectric control [or shorting cap] into receptacle and twist into locked position.

**NOTE:** The photocontrol [not included] must contain a soft, resilient gasket fastened to the bottom surface to assure a proper weather seal between the control and the receptacle.

### BI-LEVEL SWITCHING [IF EQUIPPED]

For bi-level switching, the input leads to the fixture will be independently labeled to indicate dimming preferences as appropriate [as defined by the order requirements). Two [2] separate supply lines of line voltage, neutral and ground must be provided to the fixture to enable the bi-level switching functionality of the fixture.

### MAINTENANCE

A regular maintenance schedule should be followed to retain optimal light output and thermal performance. Optical lens cleaning should be performed with a clean dry cloth to remove any dust or other contaminants. Additional cleaning can be performed with non-abrasive acrylic cleansing solution.

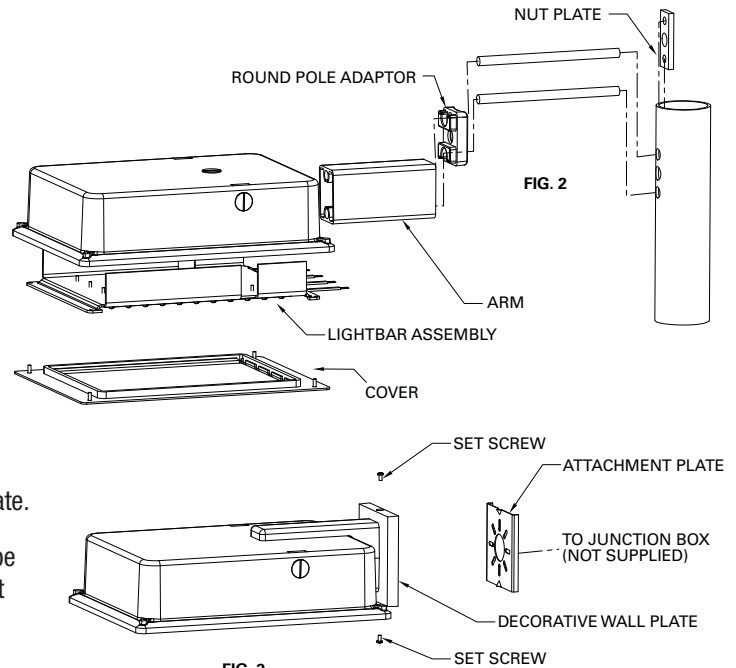


FIG. 3

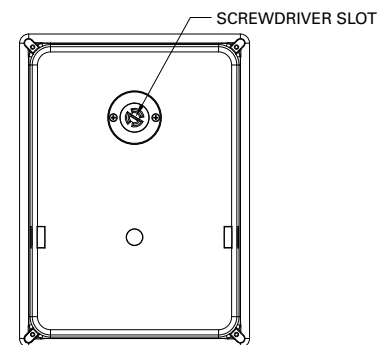


FIG. 4

These instructions do not claim to cover all details or variations in the equipment, procedure, or process described, nor to provide directions for meeting every possible contingency during installation, operation or maintenance. When additional information is desired to satisfy a problem not covered sufficiently for user's purpose, please contact your nearest representative.

**NOTE:** Specifications and dimensions subject to change without notice.