

R14-1B

product

Die cast rectangular covers with one or three 1/2" threaded holes. Fits FS, cast and recessed single outlet boxes. Supplied with thick foam rubber gasket and two #6-32 stainless steel screws. 3 hole cover comes with one die cast 1/2" close-up plug.

Color: Black

Weight: 0.2 lbs

Project:

Type:

Prepared By:

Date:

Technical Specifications

Listings

UL Listing:

Wet locations.

Construction

Material:

Precision die cast aluminum rectangular covers.

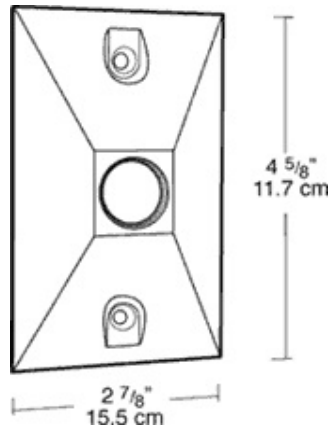
Screws:

6-32 Nickel Plated Brass.

Hole Count:

1 Hole.

Dimensions



Features

Sturdy, clear cover for easy visibility

Thick weatherseal gaskets

Mounting hardware supplied

Close-up plugs allow Phillips or slotted screwdrivers for easy installation

RAB's distinctive see-thru weatherproof packaging has all the information you need

Clear PVC plastic turtle cover with lockable latch

Smooth edged electrical cord slots