



For weatherproof safety, these stamped aluminum covers fit single (CR1) and double (CR2) outlet boxes. Supplied with thick weather seal gaskets and mounting screws.

Color: Silver gray

Weight: 0.2 lbs

<b>Project:</b>	<b>Type:</b>
<b>Prepared By:</b>	<b>Date:</b>

### Technical Specifications

**Listings**

**UL Listing:**

Wet locations.

**Construction**

**Material:**

Precision die cast or stamped aluminum. Spring loaded covers.

**Screws:**

6-32 Nickel Plated Brass.

**Outlet:**

Single Outlet.

**Other**

**Country of Origin:**

Designed by RAB in New Jersey and assembled in the USA by RAB's IBEW Local 3 workers.

**Buy American Act Compliant:**

This product is a COTS item manufactured in the United States, and is compliant with the Buy American Act.

**Recovery Act (ARRA) Compliant:**

This product complies with the 52.225-21 "Required Use of American Iron, Steel, and Manufactured Goods-- Buy American Act-- Construction Materials (October 2010).

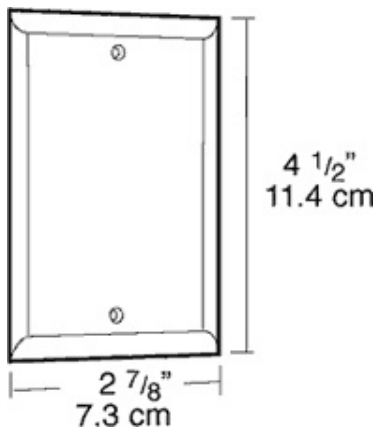
**Trade Agreements Act Compliant:**

This product is a COTS item manufactured in the United States, and is compliant with the Trade Agreements Act.

**GSA Schedule:**

Suitable in accordance with FAR Subpart 25.4.

### Dimensions



### Features

- Sturdy, clear cover for easy visibility
- Thick weatherseal gaskets
- Mounting hardware supplied
- Close-up plugs allow Phillips or slotted screwdrivers for easy installation
- RAB's distinctive see-thru weatherproof packaging has all the information you need
- Clear PVC plastic turtle cover with lockable latch
- Smooth edged electrical cord slots