

# C100VG

product

Die cast round covers with one or three 1/2" holes. Fit 4" round boxes. Supplied with thick foam rubber gasket and two #10-24 stainless steel screws. 3 hole cover comes with one die cast 1/2" close-up plug.

Color: Verde green

Weight: 0.2 lbs

Project:

Type:

Prepared By:

Date:

## Technical Specifications

### Listings

#### UL Listing:

Suitable for wet locations.

### Construction

#### Covers:

Precision die cast aluminum round covers.

#### Screws:

10-24 Brass Round Head Phillips/slotted.

#### Gasket:

1/8" thick closed cell silicone rubber for long lasting seal won't crumple or break.

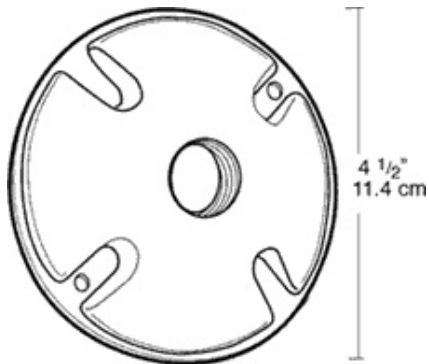
#### Replacement Plugs:

Available for round and rectangular covers and boxes.

#### Hole Count:

1 Hole.

## Dimensions



## Features

1/8" thick weatherseal gasket is closed cell silicone rubber for long lasting seal that won't break

Stainless steel screws provided

Die cast aluminum covers are color matched

Close-up plugs allow Phillips or slotted screwdrivers for easy installation