



# WP4SC400/480



JOB NAME: \_\_\_\_\_  
 DATE: \_\_\_\_\_  
 TYPE: \_\_\_\_\_

## DESCRIPTION

Large wallpack for 400 watt floods. All aluminum precision die cast construction with tempered glass refractor. Lamp supplied.

## SPECIFICATIONS

### Finish:

Chip and fade resistant polyester powder coating.

### Housing:

Die cast aluminum 1/2" NPS tapped holes top, both sides and back for conduit or photocontrol. Hinged refractor frame, Continuous silicone rubber gasket.

### Reflector:

Specular anodized aluminum, removable for installation. Symmetrical light pattern maximizes distance between fixtures.

### Refractor:

Prismatic optics designed to minimize glare and throw light down and out. Heat resistant borosilicate glass.

### UL Listing:

Suitable for wet locations. HID fixtures can be wired with 90° C supply wiring if supply wires are routed 3" away from the ballast.

### Ballast Volts:

480 V

### Patents:

RAB sensor and fixture designs are protected under U.S. and International Intellectual Property laws

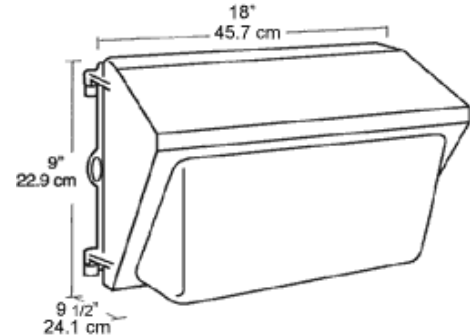
### Color:

Bronze

### Weight:

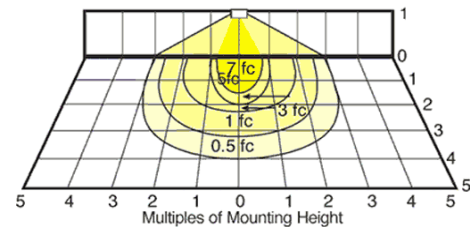
22

## DIMENSIONS



## PHOTOMETRIC

250w HPS @ 16' Mounting Height



Mounting Height	Multiplier
8'	4
10'	2.6
12'	1.8
16'	1.0
20'	.6
24'	.5
32'	.3

Watts	Multiplier	HPS	vMH
200PS			.7
250	1.0		.7
250PS			.9
320PS			1.0
350PS			1.1
400	1.8		1.2
400PS			1.4

## ORDERING INFORMATION

**High Pressure Sodium**  
 Lamp supplied with fixture

Total Watts	Lamp Type	Lamp Base	Ballast
400	ED37	Mogul	CWA-HPF 480V

**Starting Amps/ Operating Amps**  
 120V 208V 240V 277V

Input Watts	LAMP ANSI	Initial Lumens	Lamp Hours
464	S51	50000	24000

**Factory Installed Options**  
 Add suffix to Catalog Number

Tamperproof screws (/TP)  
 Swivel Photocontrol (/PCS)  
 Single fusing for 120 and 277 volt (/F)

Quartz Restrike (/QR)  
 Double fusing for 208 and 240 volt (/FF)  
 Button Photocontrol (/PC)

Note: Specifications may change without notice

480 volt only ballast (substitute /480 for QT)