



JOB NAME: \_\_\_\_\_  
 DATE: \_\_\_\_\_  
 TYPE: \_\_\_\_\_

# WP4FCH400PSQ/

## DESCRIPTION

Fully shielded, Full Cutoff wallpack. Full Cutoff optics with flat tempered glass lens. EZ mount knockouts for easy wiring. Lamp supplied.

## SPECIFICATIONS

### Finish:

Chip and fade resistant polyester powder coating.

### Housing:

Die cast aluminum 1/2" NPS tapped holes top, both sides and back for conduit or photocontrol. Hinged refractor frame, Continuous silicone rubber gasket.

### Reflector:

Specular anodized aluminum, removable for installation. Symmetrical light pattern maximizes distance between fixtures.

### Color:

Bronze

### Refractor:

Prismatic optics designed to minimize glare and throw light down and out. Heat resistant borosilicate glass.

### UL Listing:

Suitable for wet locations. HID fixtures can be wired with 90° C supply wiring if supply wires are routed 3" away from the ballast.

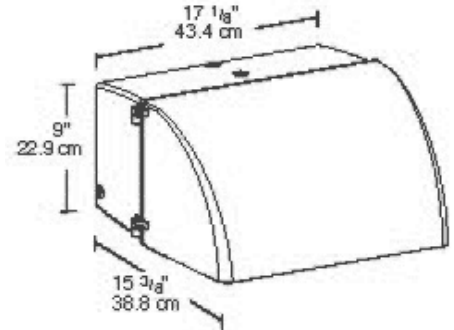
### Patents:

RAB sensor and fixture designs are protected under U.S. and International Intellectual Property laws .

### Weight:

29

## DIMENSIONS



## ORDERING INFORMATION

	Total Watts	Lamp Type	Lamp Base	Ballast	Starting Amps/ Operating Amps				Input Watts	LAMP ANSI	Initial Lumens	Lamp Hours
					120V	208V	240V	277V				
Lamp supplied with fixture	400								0			
<b>Factory Installed Options</b>												
Add suffix to Catalog Number		Tamperproof screws (/TP)										
		Swivel Photocontrol (/PCS)										
		Single fusing for 120 and 277 volt (/F)										
		Quartz Restrike (/QR)										
		Double fusing for 208 and 240 volt (/FF)										
		Button Photocontrol (/PC)										
		480 volt only ballast (substitute /480 for QT)										

Note: Specifications may change without notice