



# WP2FCSH70QTW



JOB NAME: \_\_\_\_\_  
 DATE: \_\_\_\_\_  
 TYPE: \_\_\_\_\_

## DESCRIPTION

Fully shielded, Full Cutoff wallpack. Full Cutoff optics with flat tempered glass lens. EZ mount knockouts for easy wiring. Lamp supplied.

## SPECIFICATIONS

### Cutoff Lens:

Tempered glass.

### Finish:

Chip and fade resistant polyester powder coating.

### Housing:

Die cast aluminum, 1/2" NPS tapped holes top, both sides and back for conduit or photocontrol. Hinged refractor frame. Continuous silicone rubber gasket.

### Reflector:

Specular anodized aluminum, removable for installation. Symmetrical light pattern maximizes distance between fixtures.

### Color:

White

### Refractor:

Prismatic optics designed to minimize glare and throw light down and out. Heat resistant borosilicate glass.

### UL Listing:

Suitable for wet locations. HID fixtures can be wired with 90° C supply wiring if supply wires are routed 3" away from ballast.

### Patents:

RAB sensor and fixture designs are protected under U.S. and International Intellectual Property laws

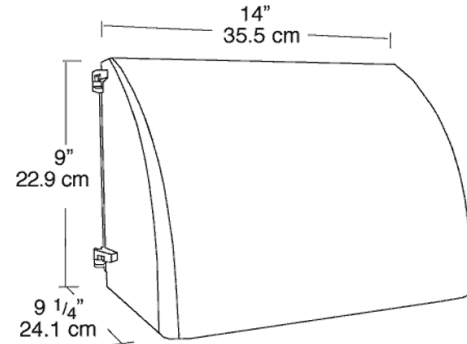
### Quad Tap:

Fixture works with 120, 208, 240 and 277 Volts

### Weight:

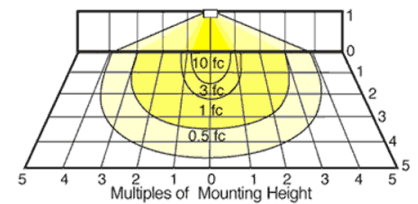
16.55

## DIMENSIONS



## PHOTOMETRIC

150w HPS @10' Mounting Height



| Mounting Height | Multiplier | Multiplier |     |        |
|-----------------|------------|------------|-----|--------|
|                 |            | Watts      | HPS | MH CFL |
| 8'              | 1.6        | 175        |     | .9     |
| 10'             | 1.0        | 150PS      |     | .9     |
| 12'             | .7         | 150        | 1.0 | .8     |
| 16'             | .4         | 125PS      |     | .7     |
| 20'             | .25        | 100        | .6  | .6     |
|                 |            | 70         | .4  | .4     |
|                 |            | 42         |     | .2     |
|                 |            | 84         |     | .4     |

## ORDERING INFORMATION

**High Pressure Sodium**  
 Lamp supplied with fixture

| Total Watts | Lamp Type | Lamp Base | Ballast   |
|-------------|-----------|-----------|-----------|
| 70          | ED17      | Medium    | HX-HPF QT |

| Starting Amps/ Operating Amps |       |       |       |
|-------------------------------|-------|-------|-------|
| 120V                          | 208V  | 240V  | 277V  |
| .8/.9                         | .5/.5 | .4/.4 | .4/.4 |

| Input Watts | LAMP ANSI | Initial Lumens | Lamp Hours |
|-------------|-----------|----------------|------------|
| 91          | S62       | 6400           | 24000      |

**Factory Installed Options**  
 Add suffix to Catalog Number

Tamperproof screws (/TP)  
 Swivel Photocontrol (/PCS)  
 Single fusing for 120 and 277 volt (/F)

Double fusing for 208 and 240 volt (/FF)  
 Button Photocontrol for 208 - 277 volt (/PC2)  
 Button Photocontrol (/PC)

Note: Specifications may change without notice