



# WP2FCF32/PC2



JOB NAME: \_\_\_\_\_  
 DATE: \_\_\_\_\_  
 TYPE: \_\_\_\_\_

## DESCRIPTION

Fully shielded, Full Cutoff wallpack. Full Cutoff optics with flat tempered glass lens. EZ mount knockouts for easy wiring. Lamp supplied.

## SPECIFICATIONS

### Cutoff Lens:

Tempered glass.

### Finish:

Chip and fade resistant polyester powder coating.

### Housing:

Die cast aluminum, 1/2" NPS tapped holes top, both sides and back for conduit or photocontrol. Hinged refractor frame. Continuous silicone rubber gasket.

### Reflector:

Specular anodized aluminum, removable for installation. Symmetrical light pattern maximizes distance between fixtures.

### Refractor:

Prismatic optics designed to minimize glare and throw light down and out. Heat resistant borosilicate glass.

### UL Listing:

Suitable for wet locations. HID fixtures can be wired with 90° C supply wiring if supply wires are routed 3" away from ballast.

### Patents:

RAB sensor and fixture designs are protected under U.S. and International Intellectual Property laws.

### Photocell:

Button Photocell installed and wired for 208, 208, 277 Volts

### Volts:

277V

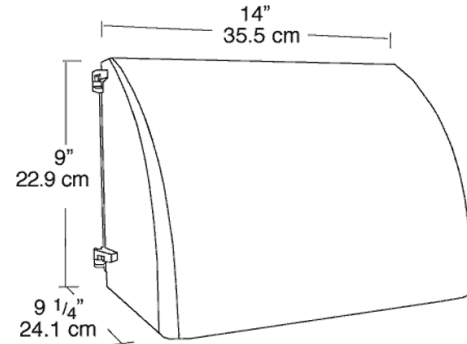
### Color:

Bronze

### Weight:

17.2

## DIMENSIONS



## ORDERING INFORMATION

Compact Fluorescent Lamp supplied with fixture	Total Watts	Lamp Type	Lamp Base	Ballast	Starting Amps/ Operating Amps				Input Watts	LAMP ANSI	Initial Lumens	Lamp Hours
					120V	208V	240V	277V				
	32	32w	GX24q-3	Elec HPF QT	0.31	0.2	0.2	0.13	32		2400	12000
<b>Factory Installed Options</b> Add suffix to Catalog Number												
				Tamperproof screws (/TP)								Double fusing for 208 and 240 volt (/FF)
				Swivel Photocontrol (/PCS)								Button Photocontrol for 208 - 277 volt (/PC2)
				Single fusing for 120 and 277 volt (/F)								Button Photocontrol (/PC)

Note: Specifications may change without notice