

# RAB LIGHTING

## WP2F42



JOB NAME: \_\_\_\_\_  
 DATE: \_\_\_\_\_  
 TYPE: \_\_\_\_\_

### DESCRIPTION

Mid sized wallpack. All aluminum precision die cast construction with tempered glass refractor. Lamp supplied.

### SPECIFICATIONS

**Cutoff Lens:**

Tempered glass.

**Finish:**

Chip and fade resistant polyester powder coating.

**Housing:**

Die cast aluminum, 1/2" NPS tapped holes top, both sides and back for conduit or photocontrol. Hinged refractor frame. Continuous silicone rubber gasket.

**Reflector:**

Specular anodized aluminum, removable for installation. Symmetrical light pattern maximizes distance between fixtures.

**Ballast Minimum Starting Temperature:**  
-22

**Refractor:**

Prismatic optics designed to minimize glare and throw light down and out. Heat resistant borosilicate glass.

**UL Listing:**

Suitable for wet locations. HID fixtures can be wired with 90° C supply wiring if supply wires are routed 3" away from ballast.

**Patents:**

RAB sensor and fixture designs are protected under U.S. and International Intellectual Property laws

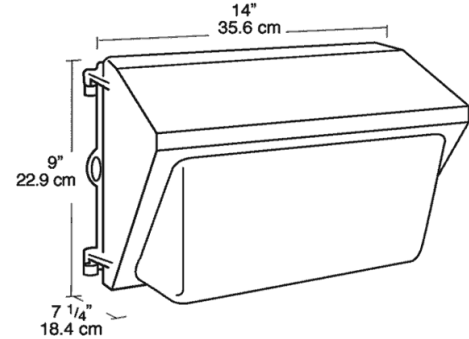
**Weight:**

16.35

**Color:**

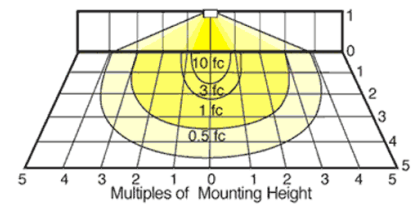
Bronze

### DIMENSIONS



### PHOTOMETRIC

150w HPS @10' Mounting Height



Mounting Height	Multiplier	Multiplier		
		Watts	HPS MH	CFL
8'	1.6	175	.9	
10'	1.0	150PS	.9	
12'	.7	150	1.0	.8
16'	.4	125PS	.7	
20'	.25	100	.6	.6
		70	.4	.4
		42		.2
		84		.4

### ORDERING INFORMATION

**Compact Fluorescent**  
Lamp supplied with fixture

Total Watts	Lamp Type	Lamp Base	Ballast
42	42W	GX24q-4 Triple	Elec HPF QT

Starting Amps/ Operating Amps			
120V	208V	240V	277V
0.38	0.3	0.2	0.17

Input Watts	LAMP ANSI	Initial Lumens	Lamp Hours
46	0	3200	10000

**Factory Installed Options**  
Add suffix to Catalog Number

Tamperproof screws (/TP)  
Swivel Photocontrol (/PCS)  
Single fusing for 120 and 277 volt (/F)

Double fusing for 208 and 240 volt (/FF)  
Button Photocontrol for 208 - 277 volt (/PC2)  
Button Photocontrol (/PC)

Note: Specifications may change without notice