



# WP2F32/PC



JOB NAME: \_\_\_\_\_  
 DATE: \_\_\_\_\_  
 TYPE: \_\_\_\_\_

## DESCRIPTION

Mid sized wallpack. All aluminum precision die cast construction with tempered glass refractor. Lamp supplied.

## SPECIFICATIONS

### Cutoff Lens:

Tempered glass.

### Finish:

Chip and fade resistant polyester powder coating.

### Housing:

Die cast aluminum, 1/2" NPS tapped holes top, both sides and back for conduit or photocontrol. Hinged refractor frame. Continuous silicone rubber gasket.

### Reflector:

Specular anodized aluminum, removable for installation. Symmetrical light pattern maximizes distance between fixtures.

### Photocell:

Button Photocell installed and wired for 120V

### Refractor:

Prismatic optics designed to minimize glare and throw light down and out. Heat resistant borosilicate glass.

### UL Listing:

Suitable for wet locations. HID fixtures can be wired with 90° C supply wiring if supply wires are routed 3" away from ballast.

### Patents:

RAB sensor and fixture designs are protected under U.S. and International Intellectual Property laws

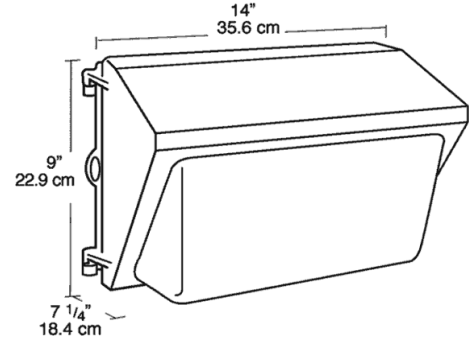
### Color:

Bronze

### Weight:

16.35

## DIMENSIONS



## ORDERING INFORMATION

**Compact Fluorescent**  
Lamp supplied with fixture

Total Watts	Lamp Type	Lamp Base	Ballast
32	32w Triple	GX24q-3	Elec HPF QT

Starting Amps/ Operating Amps			
120V	208V	240V	277V
0.31	0.2	0.2	0.13

Input Watts	LAMP ANSI	Initial Lumens	Lamp Hours
32		2400	12000

**Factory Installed Options**  
Add suffix to Catalog Number

- Tamperproof screws (/TP)
- Swivel Photocontrol (/PCS)
- Single fusing for 120 and 277 volt (/F)

- Double fusing for 208 and 240 volt (/FF)
- Button Photocontrol for 208 - 277 volt (/PC2)
- Button Photocontrol (/PC)

Note: Specifications may change without notice