



WP2F32W/PC2



JOB NAME: _____
 DATE: _____
 TYPE: _____

DESCRIPTION

Mid sized wallpack. All aluminum precision die cast construction with tempered glass refractor. Lamp supplied.

SPECIFICATIONS

Cutoff Lens:

Tempered glass.

Finish:

Chip and fade resistant polyester powder coating.

Housing:

Die cast aluminum, 1/2" NPS tapped holes top, both sides and back for conduit or photocontrol. Hinged refractor frame. Continuous silicone rubber gasket.

Reflector:

Specular anodized aluminum, removable for installation. Symmetrical light pattern maximizes distance between fixtures.

Refractor:

Prismatic optics designed to minimize glare and throw light down and out. Heat resistant borosilicate glass.

UL Listing:

Suitable for wet locations. HID fixtures can be wired with 90° C supply wiring if supply wires are routed 3" away from ballast.

Patents:

RAB sensor and fixture designs are protected under U.S. and International Intellectual Property laws.

Photocell:

Button Photocell installed and wired for 208, 208, 277 Volts

Volts:

277V

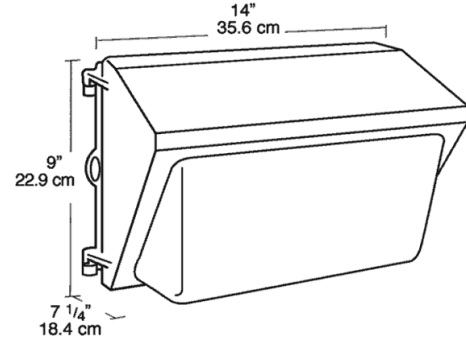
Color:

White

Weight:

16.35

DIMENSIONS



ORDERING INFORMATION

Compact Fluorescent
Lamp supplied with fixture

Total Watts	Lamp Type	Lamp Base	Ballast	Starting Amps/ Operating Amps			
				120V	208V	240V	277V
32	32w	GX24q-3 Triple	Elec HPF QT	0.31	0.2	0.2	0.13

Input Watts	LAMP ANSI	Initial Lumens	Lamp Hours

Factory Installed Options
Add suffix to Catalog Number

- Tamperproof screws (/TP)
- Swivel Photocontrol (/PCS)
- Single fusing for 120 and 277 volt (/F)

- Double fusing for 208 and 240 volt (/FF)
- Button Photocontrol for 208 - 277 volt (/PC2)
- Button Photocontrol (/PC)

Note: Specifications may change without notice