

RAB LIGHTING

WP2F32



JOB NAME: _____
 DATE: _____
 TYPE: _____

DESCRIPTION

Mid sized wallpack. All aluminum precision die cast construction with tempered glass refractor. Lamp supplied.

SPECIFICATIONS

Cutoff Lens:

Tempered glass.

Finish:

Chip and fade resistant polyester powder coating.

Housing:

Die cast aluminum, 1/2" NPS tapped holes top, both sides and back for conduit or photocontrol. Hinged refractor frame. Continuous silicone rubber gasket.

Reflector:

Specular anodized aluminum, removable for installation. Symmetrical light pattern maximizes distance between fixtures.

Refractor:

Prismatic optics designed to minimize glare and throw light down and out. Heat resistant borosilicate glass.

UL Listing:

Suitable for wet locations. HID fixtures can be wired with 90° C supply wiring if supply wires are routed 3" away from ballast.

Patents:

RAB sensor and fixture designs are protected under U.S. and International Intellectual Property laws

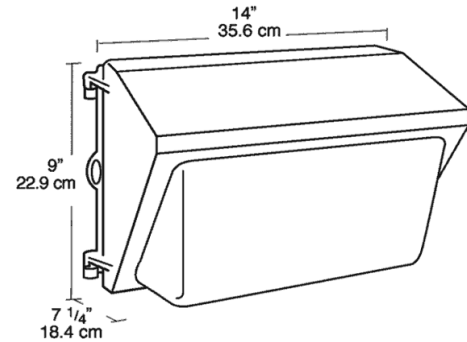
Color:

Bronze

Weight:

16.35

DIMENSIONS



ORDERING INFORMATION

| Compact Fluorescent Lamp supplied with fixture | Total Watts | Lamp Type | Lamp Base | Ballast | Starting Amps/ Operating Amps | | | | Input Watts | LAMP ANSI | Initial Lumens | Lamp Hours |
|--|----------------|---------------|--------------|---|-------------------------------|------|------|------|----------------|--------------|-------------------|---|
| | | | | | 120V | 208V | 240V | 277V | | | | |
| | 32 | 32w Triple | GX24q-3 | Elec HPF QT | 0.31 | 0.2 | 0.2 | 0.13 | 32 | | 2400 | 12000 |
| Factory Installed Options Add suffix to Catalog Number | | | | | | | | | | | | |
| | | | | Tamperproof screws (/TP) | | | | | | | | Double fusing for 208 and 240 volt (/FF) |
| | | | | Swivel Photocontrol (/PCS) | | | | | | | | Button Photocontrol for 208 - 277 volt (/PC2) |
| | | | | Single fusing for 120 and 277 volt (/F) | | | | | | | | Button Photocontrol (/PC) |

Note: Specifications may change without notice