



WP2CSH100QT/P

JOB NAME: _____
 DATE: _____
 TYPE: _____

DESCRIPTION

Wallpack with cutoff glare shield. All aluminum precision die cast construction with tempered glass lens. 30° cutoff strip included. Lamp supplied.

SPECIFICATIONS

Cutoff Lens:

Tempered glass.

Finish:

Chip and fade resistant polyester powder coating.

Housing:

Die cast aluminum, 1/2" NPS tapped holes top, both sides and back for conduit or photocontrol. Hinged refractor frame. Continuous silicone rubber gasket.

Reflector:

Specular anodized aluminum, removable for installation. Symmetrical light pattern maximizes distance between fixtures.

Refractor:

Prismatic optics designed to minimize glare and throw light down and out. Heat resistant borosilicate glass.

UL Listing:

Suitable for wet locations. HID fixtures can be wired with 90° C supply wiring if supply wires are routed 3" away from ballast.

Patents:

RAB sensor and fixture designs are protected under U.S. and International Intellectual Property laws.

Photocell:

Button Photocell installed and wired for

Quad Tap:

Fixture works with 120, 208, 240, and 277 volts

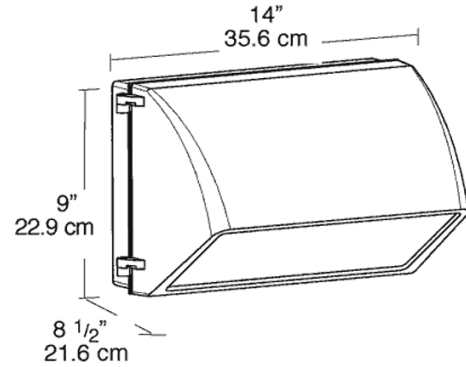
Color:

Bronze

Weight:

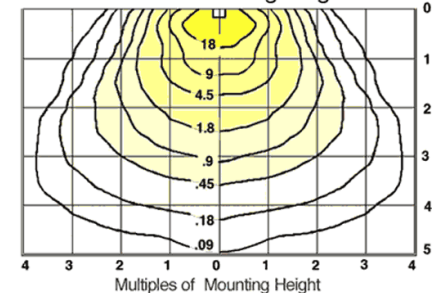
14

DIMENSIONS



PHOTOMETRIC

150w HPS @10' Mounting Height



| Mounting Height | Multiplier | Watts | Multiplier | HPS | MH | CFL |
|-----------------|------------|-------|------------|-----|----|-----|
| 8' | 1.6 | 175 | 1.0 | | | |
| 10' | 1.0 | 150 | 1.1 | .9 | | |
| 12' | .7 | 100 | .6 | .6 | | |
| 16' | .4 | 70 | .4 | .4 | | |
| 20' | .25 | 42 | | .2 | | |

ORDERING INFORMATION

High Pressure Sodium
Lamp supplied with fixture

| Total Watts | Lamp Type | Lamp Base | Ballast |
|-------------|-----------|-----------|-----------|
| 100 | ED17 | Medium | HX-HPF QT |

| Starting Amps/ Operating Amps | | | | Input Watts | LAMP ANSI | Initial Lumens | Lamp Hours |
|-------------------------------|-------|-------|-------|-------------|-----------|----------------|------------|
| 120V | 208V | 240V | 277V | | | | |
| 1.5/1.1 | .8/.7 | .7/.6 | .6/.5 | 115 | S54 | 9500 | 24000 |

Factory Installed Options
Add suffix to Catalog Number

Tamperproof screws (/TP)
Swivel Photocontrol (/PCS)
Single fusing for 120 and 277 volt (/F)

Double fusing for 208 and 240 volt (/FF)
Button Photocontrol for 208 - 277 volt (/PC2)
Button Photocontrol (/PC)

Note: Specifications may change without notice