

# WP2FC FULL CUT-OFF INSTALLATION INSTRUCTIONS



Thank you for buying RAB Lighting fixtures. Our goal is to design the best quality products to get the job done right. We'd like to hear your comments. Call the Marketing Department at 888-RAB-1000, or email: [marketing@rablighting.com](mailto:marketing@rablighting.com)

## IMPORTANT

**READ CAREFULLY BEFORE INSTALLING FIXTURE. RETAIN INSTRUCTIONS FOR FUTURE REFERENCE.**

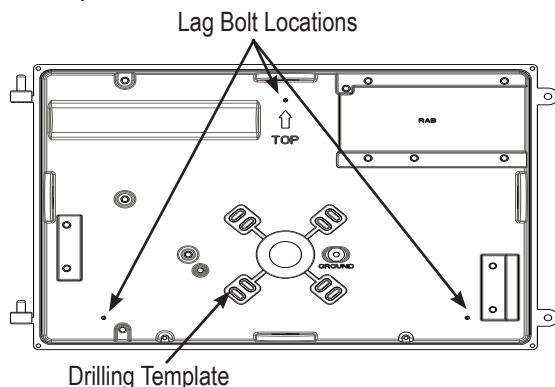
RAB fixtures must be wired in accordance with the National Electrical Code and applicable local codes. Proper grounding is required for safety. Wallpacks are for outdoor use and should not be used in areas with limited ventilation or high-ambient temperatures. Installation should be done by a qualified electrician.

**WARNING: Make certain power is OFF before installing or maintaining fixture.**

## MOUNTING

Use the **Drilling Template** on the inside back surface of the housing to match most standard junction boxes or for more secure installation, lag bolt housing to mounting surface using locations noted below.

1. Swing open door by loosening two screws. Remove reflector and lift door off hinges.
2. Prepare the housing for use by knocking out the appropriate holes.
3. Line up the housing in desired location and mount securely.
4. Complete the wiring to the supply wires and ground (see wiring instructions).
5. Replace the reflector, install the lamp and slide door onto hinges. Swing close door and tighten the two screws.
6. To insure weatherproof seal make sure all holes (mounting, plugs, conduit, etc.) are sealed with weatherproof silicone sealant.



## LOCATION

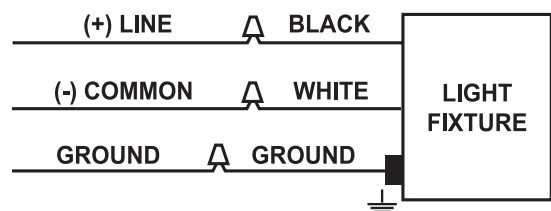
Mount fixture on a wall with lens facing down as shown in drawing above. Fixture must be level. Lamp must be in a horizontal position. **DO NOT** mount in a way that would entrap heat.

## WIRING

**HID ONLY CAUTION: 125°C supply wire required - Not for use in dwellings.** To use 90°C supply wire, use additionally supplied 12" leads and make supply connections inside the junction box.

All QT units are factory wired for 120V except those factory ordered with a 277V Photocell (/PC2). If other voltages are required, remove reflector and rewire for the appropriate voltage.

1. Connect the appropriate voltage fixture lead to the HOT supply lead.
2. Connect the "COM" fixture lead to the COMMON supply lead.
3. Fixture ground screw must be connected to supply ground.
4. All unused leads must be capped and insulated.

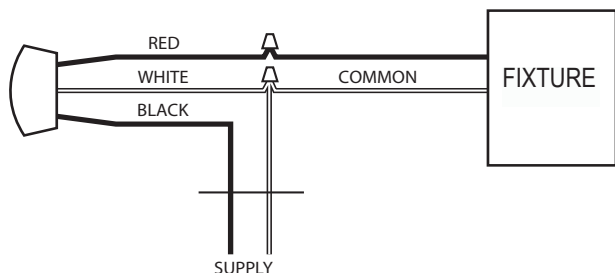


## WP2FC FULL CUT-OFF INSTALLATION INSTRUCTIONS

### PHOTOCELL INSTALLATION

A PHOTOCELL MAY BE INSTALLED IN THE FIELD.

1. Remove door and reflector
2. Remove close up plug on top of fixture
3. Install photocell and wire as per diagram



### CLEANING

**Caution: Be sure fixture temperature is cool enough to touch. Be sure power is off.**

Clean reflector and refractor with a cloth moistened with non abrasive glass cleaning solution.

### TROUBLESHOOTING

1. Is the proper lamp is installed? Check the wattage and ANSI code on the fixture label against markings on the lamp. Refer to Replacement Lamp Table for verification.
2. Make sure the lamp is not defective. Try a lamp known to be in operating condition.
3. Check that the line voltage at fixture is correct. Refer to wiring directions.
4. Is there voltage at the lamp socket? If there is no voltage, check all connections.
5. Is the fixture grounded properly?
6. Is the photocell functioning properly (if used)?

### RE-LAMPING

**CAUTION:** Prior to installing, check that the lamp is of proper type and wattage. Observe lamp manufacturer's recommendations on lamp operation, burning position and ballast type.

1. Disconnect power
2. Make sure fixture and lamp are cool enough to touch.
3. Loosen two screws holding door frame.
4. Open by swinging door to the left, letting hinge hold door.
5. Replace lamp.
6. Close door and tighten screws.

### REPLACEMENT LAMPS AND BALLASTS

Wattage	RAB Lamp Catalog#	ANSI Code	RAB Ballast Catalog#
<b>High Pressure Sodium</b>			
70	LHPS70	S62	BHPSH70
70	LHPS70	S62	BHPSH70QT
100	LHPS100	S54	BHPSN100
100	LHPS100	S54	BHPSH100
100	LHPS100	S54	BHPSH100QT
150	LHPS150	S55	BHPSN150
150	LHPS150	S55	BHPSH150QT
<b>Metal Halide</b>			
70PS	LMH70	M98	BMHH70QT
100PS	LMH100	M90	BMHH100QT
125PS	LMH125PS	M150	BMHH125PSQ
150PS	LMH150PS	M102	BMHH150PSQ
150	LMH150	M107	BMHH150QT
<b>Compact Fluorescent</b>		<b>Base</b>	
26	LCFL26	GX24-q3	BCFL42
32	LCFL32	GX24-q3	BCFL42
42	LCFL42	GX24-q4	BCFL42

Note: These instructions do not cover all details or variations in equipment nor do they provide for every possible situation during installation, operation or maintenance.