

# WP1SN70W/PC

Compact Wallpack. UV stabilized, vandal resistant prismatic polycarbonate refractor. Lamp supplied.

Color: White

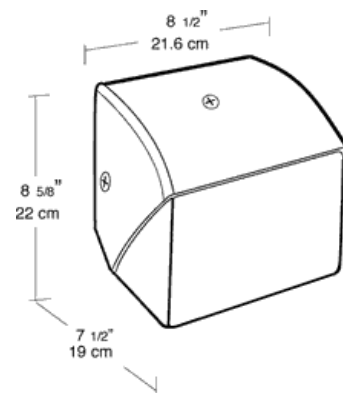
Weight: 7.4 lbs

## Lamp Info

Type: ED17  
 Watts: 70  
 Shape/Size: N/A  
 Base: N/A  
 ANSI: N/A  
 Hours: 24,000  
 Lamp Lumens: 6,300  
 Efficacy: 73 LPW

## Ballast Info

Type: R-NPF 120V  
 120V: 2.3/1.7  
 208V: N/A  
 240V: N/A  
 277V: N/A  
 Input Watts: 86W  
 Efficiency: 81%



## Technical Specifications

### UL Listing:

Suitable for wet locations. HID fixtures can be wired with 90 C supply wiring if supply wires are routed 3" away from the ballast.

### Housing:

Die cast aluminum, 1/2" NPS tapped top, both sides and back for conduit or photocontrol. Hinged refractor. Continuous one piece silicone rubber gasket.

### Reflector:

Semi-Specular anodized aluminum, removable for installation. Symmetrical light pattern maximizes distance between fixtures.

### Finish:

Chip and fade resistant polyester powder coating.

### Photocell:

Button Photocell installed and wired for 120V

### Conduit Openings:

Top, side, and back

### Template:

Drilling template for easy wall box mounting

### Patents:

Pat. D440,683

### Country of Origin:

Designed by RAB in New Jersey and assembled in the USA by IBEW Local 3

### Buy American Act Compliant:

This product is a COTS item manufactured in the United States, and is compliant with the Buy American Act.

### Recovery Act (ARRA) Compliant:

This product complies with the 52.225-21 "Required Use of American Iron, Steel, and Manufactured Goods-- Buy American Act-- Construction Materials (October 2010)

### Trade Agreements Act Compliant:

This product is a COTS item manufactured in the United States, and is compliant with the Trade Agreements Act.

### GSA Schedule:

This product is suitable for listing on the GSA Schedule of the US General Services in accordance with FAR Subpart 25.4