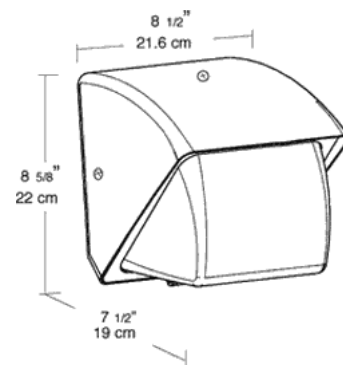


WP1GSN100

The same Wallpack as the WP1, but with prismatic glass lens to eliminate yellowing. Lamp supplied.

Color: Bronze

Weight: 8.8 lbs



Lamp Info

Type: ED17
 Watts: 100
 Shape/Size: N/A
 Base: N/A
 ANSI: N/A
 Hours: 24,000
 Lamp Lumens: 9,500
 Efficacy: 83 LPW

Ballast Info

Type: R-NPF 120V
 120V: 3.1/2.1
 208V: N/A
 240V: N/A
 277V: N/A
 Input Watts: 115W
 Efficiency: 87%

Technical Specifications

UL Listing:

Suitable for wet locations. HID fixtures can be wired with 90 C supply wiring if supply wires are routed 3" away from the ballast.

Housing:

Die cast aluminum, 1/2" NPS tapped top, both sides and back for conduit or photocontrol. Hinged refractor. Continuous one piece silicone rubber gasket.

Reflector:

Semi-Specular anodized aluminum, removable for installation. Symmetrical light pattern maximizes distance between fixtures.

Finish:

Chip and fade resistant polyester powder coating.

Conduit Openings:

Top, side and back

Template:

Drilling template for easy wall box mounting

Patents:

Pat. D440,683

Country of Origin:

Designed by RAB in New Jersey and assembled in the USA by IBEW Local 3

Buy American Act Compliant:

This product is a COTS item manufactured in the United States, and is compliant with the Buy American Act.

Recovery Act (ARRA) Compliant:

This product complies with the 52.225-21 "Required Use of American Iron, Steel, and Manufactured Goods-- Buy American Act-- Construction Materials (October 2010)

Trade Agreements Act Compliant:

This product is a COTS item manufactured in the United States, and is compliant with the Trade Agreements Act.

GSA Schedule:

This product is suitable for listing on the GSA Schedule of the US General Services in accordance with FAR Subpart 25.4