



WP1GF42W/PC



JOB NAME: _____
 DATE: _____
 TYPE: _____

DESCRIPTION

The same Wallpack as the WP1, but with prismatic glass lens to eliminate yellowing. Lamp supplied.

SPECIFICATIONS

Finish:

Chip and fade resistant polyester powder coating.

Housing:

Die cast aluminum, 1/2" NPS tapped top, both sides and back for conduit or photocontrol. Hinged refractor. Continuous one piece silicone rubber gasket.

Reflector:

Semi-Specular anodized aluminum, removable for installation. Symmetrical light pattern maximizes distance between fixtures.

UL Listing:

Suitable for wet locations. HID fixtures can be wired with 90° C supply wiring if supply wires are routed 3" away from the ballast.

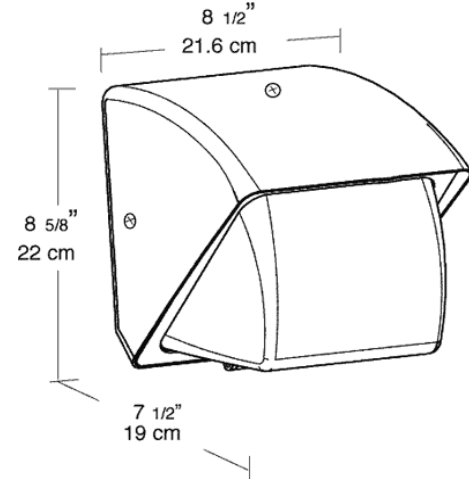
Ballast Minimum Starting Temperature:
0

Patents:
Pat. D440,683

Color:
White

Weight:
7.17

DIMENSIONS



ORDERING INFORMATION

Compact Fluorescent Lamp supplied with fixture	Total Watts	Lamp Type	Lamp Base	Ballast	Starting Amps/ Operating Amps				Input Watts	LAMP ANSI	Initial Lumens	Lamp Hours
					120V	208V	240V	277V				
	42											0
Factory Installed Options Add suffix to Catalog Number												
				Tamperproof screws (/TP) Swivel Photocontrol (/PCS) Single fusing for 120 and 277 volt (/F)								Button Photocontrol wired for 208 - 277 volt (/PC2) Button Photocontrol (/PC)

Note: Specifications may change without notice