



WP1FCSN100W



JOB NAME: _____
 DATE: _____
 TYPE: _____

DESCRIPTION

Fully shielded, Full Cutoff Wallpack for higher wattages! Full Cutoff optics with flat tempered glass lens. EZ mount knockouts for easy wiring. Lamp supplied.

SPECIFICATIONS

Finish:

Chip and fade resistant polyester powder coating.

Housing:

Die cast aluminum, 1/2" NPS tapped top, both sides and back for conduit or photocontrol. Hinged refractor. Continuous one piece silicone rubber gasket.

Reflector:

Semi-Specular anodized aluminum, removable for installation. Symmetrical light pattern maximizes distance between fixtures.

Conduit Openings:

Top, side, back and bottom

UL Listing:

Suitable for wet locations. HID fixtures can be wired with 90° C supply wiring if supply wires are routed 3" away from the ballast.

Cradle:

Capacitor cradle for better heat absorption

Mounting:

Knockouts for easy wall box mounting

Patents:

Pat. D561,377

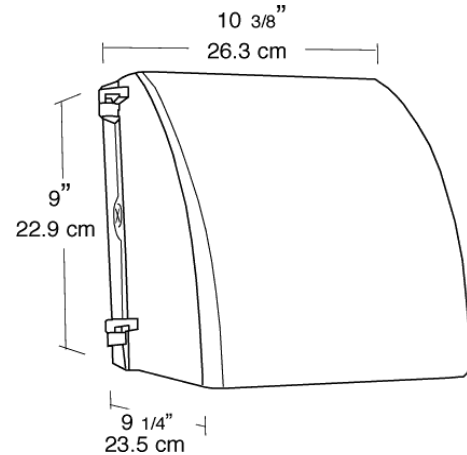
Color:

White

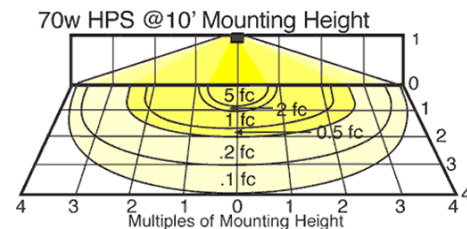
Weight:

9.24

DIMENSIONS



PHOTOMETRIC



| Mounting Height | Multiplier |
|-----------------|------------|
| 8' | 1.6 |
| 10' | 1.0 |
| 12' | .7 |
| 16' | .4 |
| 20' | .25 |

| Multiplier | Watts | HPS | MH | CFL |
|------------|-------|-----|-----|-----|
| 1.6 | 100 | 1.5 | 1.4 | |
| 1.0 | 70 | 1.0 | .9 | |
| .7 | 50 | .6 | .5 | |
| .4 | 35 | .4 | .5 | |
| .25 | 42 | | .5 | |

ORDERING INFORMATION

High Pressure Sodium
 Lamp supplied with fixture

| Total Watts | Lamp Type | Lamp Base | Ballast |
|-------------|-----------|-----------|------------|
| 100 | ED17 | Medium | R-NPF 120V |

| Starting Amps/ Operating Amps | | | |
|-------------------------------|------|------|------|
| 120V | 208V | 240V | 277V |
| 3.1/2.1 | | | |

| Input Watts | LAMP ANSI | Initial Lumens | Lamp Hours |
|-------------|-----------|----------------|------------|
| 115 | S54 | 9500 | 24000 |

Factory Installed Options
 Add suffix to Catalog Number

Tamperproof screws (/TP)
 Swivel Photocontrol (/PCS)
 Single fusing for 120 and 277 volt (/F)

Button Photocontrol wired for 208 - 277 volt (/PC2)
 Button Photocontrol (/PC)

Note: Specifications may change without notice