



WP1FCSH70QT/P



JOB NAME: _____
 DATE: _____
 TYPE: _____

DESCRIPTION

Fully shielded, Full Cutoff Wallpack for higher wattages! Full Cutoff optics with flat tempered glass lens. EZ mount knockouts for easy wiring. Lamp supplied.

SPECIFICATIONS

Finish:

Chip and fade resistant polyester powder coating.

Housing:

Die cast aluminum, 1/2" NPS tapped top, both sides and back for conduit or photocontrol. Hinged refractor. Continuous one piece silicone rubber gasket.

Reflector:

Semi-Specular anodized aluminum, removable for installation. Symmetrical light pattern maximizes distance between fixtures.

UL Listing:

Suitable for wet locations. HID fixtures can be wired with 90° C supply wiring if supply wires are routed 3" away from the ballast.

Knockouts for easy wall box mounting

Conduit Openings:

Top, side, back and bottom

Patents:

Pat. D561,377

Photocontrol:

Button Photocontrol installed and wired for 120V

Quad Tap:

Fixture works with 120, 208, 240, and 277 volts

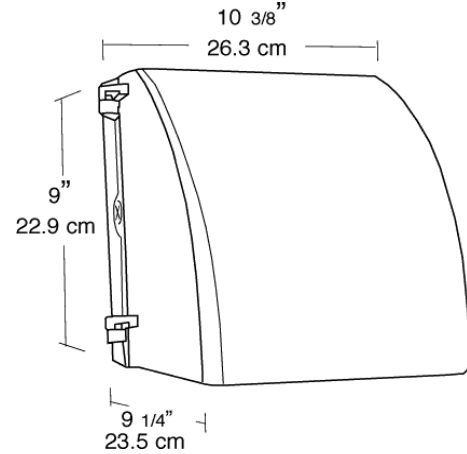
Color:

Bronze

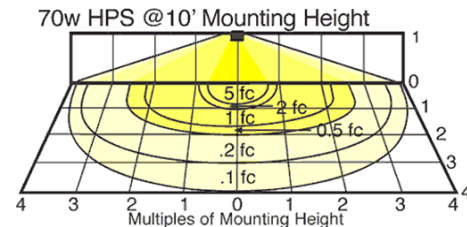
Weight:

11.15

DIMENSIONS



PHOTOMETRIC



Mounting Height	Multiplier	Multiplier		
		Watts	HPS	MH CFL
8'	1.6	100	1.5	1.4
10'	1.0	70	1.0	.9
12'	.7	50	.6	.5
16'	.4	35	.4	.5
20'	.25	42		.5

ORDERING INFORMATION

High Pressure Sodium
 Lamp supplied with fixture

Total Watts	Lamp Type	Lamp Base	Ballast
70	ED17	Medium	HX-HPF QT

Starting Amps/ Operating Amps				Input Watts	LAMP ANSI	Initial Lumens	Lamp Hours
120V	208V	240V	277V				
.8/.9	.5/.5	.4/.4	.4/.4	91	S62	6400	24000

Factory Installed Options
 Add suffix to Catalog Number

Tamperproof screws (/TP)
 Swivel Photocontrol (/PCS)
 Single fusing for 120 and 277 volt (/F)

Button Photocontrol wired for 208 - 277 volt (/PC2)
 Button Photocontrol (/PC)

Note: Specifications may change without notice