



WP1FCSH150W



JOB NAME: _____
 DATE: _____
 TYPE: _____

DESCRIPTION

Fully shielded, Full Cutoff Wallpack for higher wattages! Full Cutoff optics with flat tempered glass lens. EZ mount knockouts for easy wiring. Lamp supplied.

SPECIFICATIONS

Finish:

Chip and fade resistant polyester powder coating.

Housing:

Die cast aluminum, 1/2" NPS tapped top, both sides and back for conduit or photocontrol. Hinged refractor. Continuous one piece silicone rubber gasket.

Reflector:

Semi-Specular anodized aluminum, removable for installation. Symmetrical light pattern maximizes distance between fixtures.

Conduit Openings:

Top, side, back and bottom

UL Listing:

Suitable for wet locations. HID fixtures can be wired with 90° C supply wiring if supply wires are routed 3" away from the ballast.

Cradle:

Capacitor cradle for better heat absorption

Mounting:

Knockouts for easy wall box mounting

Patents:

Pat. D561,377

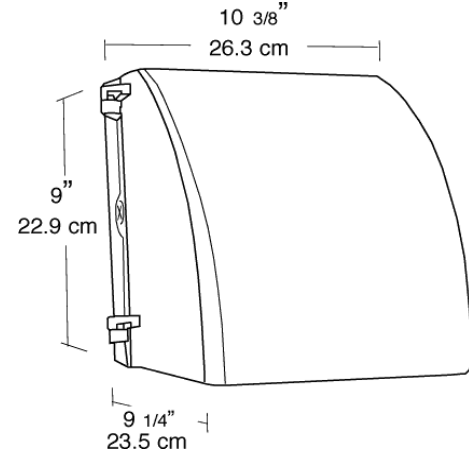
Color:

White

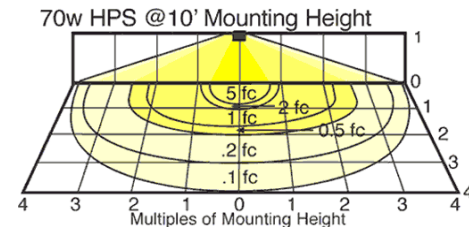
Weight:

11.31

DIMENSIONS



PHOTOMETRIC



Mounting Height	Multiplier	Watts	Multiplier HPS	Multiplier MH	CFL
8'	1.6	100	1.5	1.4	
10'	1.0	70	1.0	.9	
12'	.7	50	.6	.5	
16'	.4	35	.4	.5	
20'	.25	42		.5	

ORDERING INFORMATION

High Pressure Sodium
 Lamp supplied with fixture

Total Watts	Lamp Type	Lamp Base	Ballast
150	ED17	Medium	R-HPF 120V

Starting Amps/ Operating Amps			
120V	208V	240V	277V
2.3/1.5			

Input Watts	LAMP ANSI	Initial Lumens	Lamp Hours
170	S55	16000	24000

Factory Installed Options
 Add suffix to Catalog Number

Tamperproof screws (/TP)
 Swivel Photocontrol (/PCS)
 Single fusing for 120 and 277 volt (/F)

Button Photocontrol wired for 208 - 277 volt (/PC2)
 Button Photocontrol (/PC)

Note: Specifications may change without notice