



# WP1FCSH150QT/1

JOB NAME: \_\_\_\_\_  
 DATE: \_\_\_\_\_  
 TYPE: \_\_\_\_\_

## DESCRIPTION

Fully shielded, Full Cutoff Wallpack for higher wattages! Full Cutoff optics with flat tempered glass lens. EZ mount knockouts for easy wiring. Lamp supplied.

## SPECIFICATIONS

### Finish:

Chip and fade resistant polyester powder coating.

### Housing:

Die cast aluminum, 1/2" NPS tapped top, both sides and back for conduit or photocontrol. Hinged refractor. Continuous one piece silicone rubber gasket.

### Reflector:

Semi-Specular anodized aluminum, removable for installation. Symmetrical light pattern maximizes distance between fixtures.

### UL Listing:

Suitable for wet locations. HID fixtures can be wired with 90° C supply wiring if supply wires are routed 3" away from the ballast.

Knockouts for easy wall box mounting

### Conduit Openings:

Top, side, back and bottom

### Patents:

Pat. D561,377

### Photocontrol:

Button Photocontrol installed and wired for 120V

### Quad Tap:

Fixture works with 120, 208, 240, and 277 volts

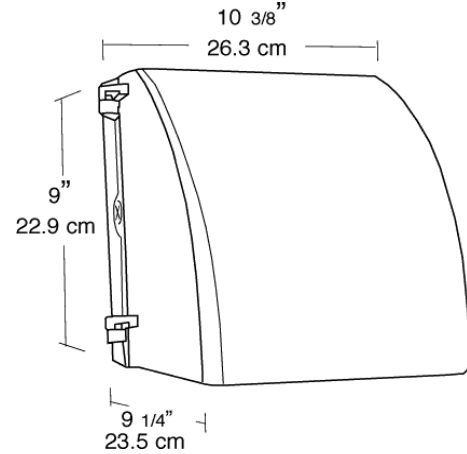
### Color:

Bronze

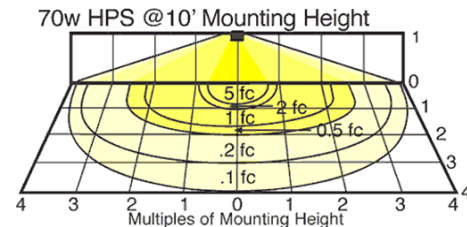
### Weight:

14.15

## DIMENSIONS



## PHOTOMETRIC



| Mounting Height | Multiplier | Watts | Multiplier HPS | Multiplier MH | CFL |
|-----------------|------------|-------|----------------|---------------|-----|
| 8'              | 1.6        | 100   | 1.5            | 1.4           |     |
| 10'             | 1.0        | 70    | 1.0            | .9            |     |
| 12'             | .7         | 50    | .6             | .5            |     |
| 16'             | .4         | 35    | .4             | .5            |     |
| 20'             | .25        | 42    |                | .5            |     |

## ORDERING INFORMATION

**High Pressure Sodium**  
Lamp supplied with fixture

| Total Watts | Lamp Type | Lamp Base | Ballast   |
|-------------|-----------|-----------|-----------|
| 150         | ED17      | Medium    | HX-HPF QT |

| Starting Amps/ Operating Amps |         |       |       | Input Watts | LAMP ANSI | Initial Lumens | Lamp Hours |
|-------------------------------|---------|-------|-------|-------------|-----------|----------------|------------|
| 120V                          | 208V    | 240V  | 277V  |             |           |                |            |
| 2.0/1.7                       | 1.2/1.0 | 1/1.9 | .9/.8 | 188         | S55       | 16000          | 24000      |

**Factory Installed Options**  
Add suffix to Catalog Number

Tamperproof screws (/TP)  
Swivel Photocontrol (/PCS)  
Single fusing for 120 and 277 volt (/F)

Button Photocontrol wired for 208 - 277 volt (/PC2)  
Button Photocontrol (/PC)

Note: Specifications may change without notice