



# WP1FCF32W/PC2



JOB NAME: \_\_\_\_\_  
 DATE: \_\_\_\_\_  
 TYPE: \_\_\_\_\_

## DESCRIPTION

Fully shielded, Full Cutoff Wallpack for higher wattages! Full Cutoff optics with flat tempered glass lens. EZ mount knockouts for easy wiring. Lamp supplied.

## SPECIFICATIONS

### Finish:

Chip and fade resistant polyester powder coating.

### Housing:

Die cast aluminum, 1/2" NPS tapped top, both sides and back for conduit or photocontrol. Hinged refractor. Continuous one piece silicone rubber gasket.

### Reflector:

Semi-Specular anodized aluminum, removable for installation. Symmetrical light pattern maximizes distance between fixtures.

### Conduit Openings:

Top, side, back and bottom

### UL Listing:

Suitable for wet locations. HID fixtures can be wired with 90° C supply wiring if supply wires are routed 3" away from the ballast.

### Mounting:

Knockouts for easy wall box mounting

### Patents:

Pat. D561,377

### Photocontrol:

/PC2 = 277V

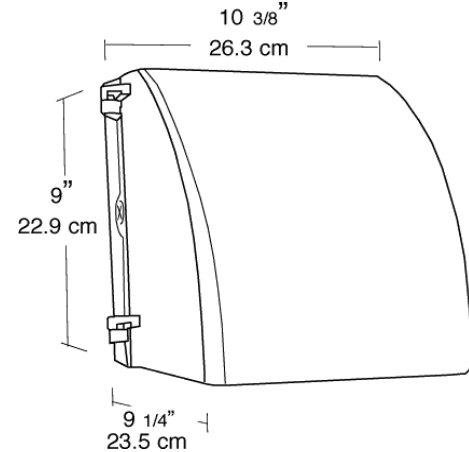
### Color:

White

### Weight:

6.37

## DIMENSIONS



## ORDERING INFORMATION

**Compact Fluorescent**  
Lamp supplied with fixture

| Total Watts | Lamp Type  | Lamp    |             |
|-------------|------------|---------|-------------|
|             |            | Base    | Ballast     |
| 32          | 32w Triple | GX24q-3 | Elec HPF QT |

| Starting Amps/ Operating Amps |      |      |      |
|-------------------------------|------|------|------|
| 120V                          | 208V | 240V | 277V |
| 0.31                          | 0.2  | 0.2  | 0.13 |

| Input Watts | LAMP ANSI | Initial Lumens | Lamp Hours |
|-------------|-----------|----------------|------------|
| 32          |           | 2400           | 12000      |

**Factory Installed Options**  
Add suffix to Catalog Number

Tamperproof screws (/TP)  
Swivel Photocontrol (/PCS)  
Single fusing for 120 and 277 volt (/F)

Button Photocontrol wired for 208 - 277 volt (/PC2)  
Button Photocontrol (/PC)

Note: Specifications may change without notice