



WP1FCF26W/PC



JOB NAME: _____
 DATE: _____
 TYPE: _____

DESCRIPTION

Fully shielded, Full Cutoff Wallpack for higher wattages! Full Cutoff optics with flat tempered glass lens. EZ mount knockouts for easy wiring. Lamp supplied.

SPECIFICATIONS

Finish:

Chip and fade resistant polyester powder coating.

Housing:

Die cast aluminum, 1/2" NPS tapped top, both sides and back for conduit or photocontrol. Hinged refractor. Continuous one piece silicone rubber gasket.

Reflector:

Semi-Specular anodized aluminum, removable for installation. Symmetrical light pattern maximizes distance between fixtures.

Conduit Openings:

Top, side, back and bottom

UL Listing:

Suitable for wet locations. HID fixtures can be wired with 90° C supply wiring if supply wires are routed 3" away from the ballast.

Mounting:

Knockouts for easy wall box mounting

Patents:

Pat. D561,377

Photocontrol:

Button Photocontrol installed and wired for 120V

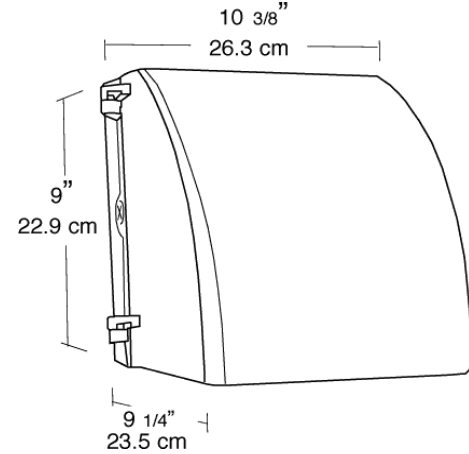
Color:

White

Weight:

6.37

DIMENSIONS



ORDERING INFORMATION

Compact Fluorescent
Lamp supplied with fixture

| Total Watts | Lamp Type | Lamp | |
|-------------|------------|---------|-------------|
| | | Base | Ballast |
| 26 | 26W Triple | GX24q-3 | Elec HPF QT |

| Starting Amps/ Operating Amps | | | |
|-------------------------------|------|------|------|
| 120V | 208V | 240V | 277V |
| 0.24 | 0.2 | 0.18 | 0.11 |

| Input Watts | LAMP ANSI Lumens | Initial Hours |
|-------------|------------------|---------------|
| 29 | 1800 | 12000 |

Factory Installed Options
Add suffix to Catalog Number

- Tamperproof screws (/TP)
- Swivel Photocontrol (/PCS)
- Single fusing for 120 and 277 volt (/F)

- Button Photocontrol wired for 208 - 277 volt (/PC2)
- Button Photocontrol (/PC)

Note: Specifications may change without notice