



WP1FCF26



JOB NAME: _____
 DATE: _____
 TYPE: _____

DESCRIPTION

Fully shielded, Full Cutoff Wallpack for higher wattages! Full Cutoff optics with flat tempered glass lens. EZ mount knockouts for easy wiring. Lamp supplied.

SPECIFICATIONS

Finish:

Chip and fade resistant polyester powder coating.

Housing:

Die cast aluminum, 1/2" NPS tapped top, both sides and back for conduit or photocontrol. Hinged refractor. Continuous one piece silicone rubber gasket.

Reflector:

Semi-Specular anodized aluminum, removable for installation. Symmetrical light pattern maximizes distance between fixtures.

UL Listing:

Suitable for wet locations. HID fixtures can be wired with 90° C supply wiring if supply wires are routed 3" away from the ballast.

Conduit Openings:

Top, side, back and bottom

Mounting:

Knockouts for easy wall box mounting

Patents:

Pat. D561,377

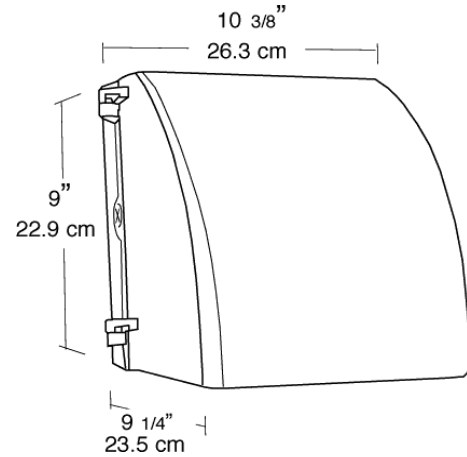
Color:

Bronze

Weight:

6.37

DIMENSIONS



ORDERING INFORMATION

Compact Fluorescent
Lamp supplied with fixture

Total Watts	Lamp Type	Lamp Base	Ballast
26	26W	GX24q-3 Triple	Elec HPF QT

Starting Amps/ Operating Amps			
120V	208V	240V	277V
0.24	0.2	0.18	0.11

Input Watts	LAMP ANSI	Initial Lumens	Lamp Hours
29		1800	12000

Factory Installed Options
Add suffix to Catalog Number

- Tamperproof screws (/TP)
- Swivel Photocontrol (/PCS)
- Single fusing for 120 and 277 volt (/F)

- Button Photocontrol wired for 208 - 277 volt (/PC2)
- Button Photocontrol (/PC)

Note: Specifications may change without notice