

WP1F42W/PC2

Compact Wallpack. UV stabilized, vandal resistant prismatic polycarbonate refractor. Lamp supplied.

Color: White

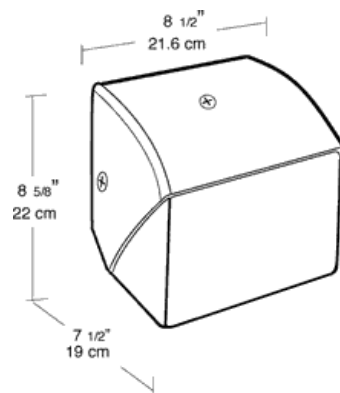
Weight: 5.7 lbs

Lamp Info

Type: 42W Triple
 Watts: 42
 Shape/Size: N/A
 Base: N/A
 ANSI: N/A
 Hours: 12,000
 Lamp Lumens: 3,200
 Efficacy: 70 LPW

Ballast Info

Type: Elec HPF QT
 120V: 0.38
 208V: 0.3
 240V: 0.2
 277V: 0.17
 Input Watts: 46W
 Efficiency: 91%



Technical Specifications

UL Listing:

Suitable for wet locations. HID fixtures can be wired with 90 C supply wiring if supply wires are routed 3" away from the ballast.

Housing:

Die cast aluminum, 1/2" NPS tapped top, both sides and back for conduit or photocontrol. Hinged refractor. Continuous one piece silicone rubber gasket.

Reflector:

Semi-Specular anodized aluminum, removable for installation. Symmetrical light pattern maximizes distance between fixtures.

Finish:

Chip and fade resistant polyester powder coating.

Photocell:

/PC2 = 277V

Conduit Openings:

Top, side and back

Template:

Drilling template for easy wall box mounting

Patents:

Pat. D440,683

Ballast Minimum Starting Temperature:

0 Deg F

Country of Origin:

Designed by RAB in New Jersey and assembled in the USA by IBEW Local 3

Buy American Act Compliant:

This product is a COTS item manufactured in the United States, and is compliant with the Buy American Act.

Recovery Act (ARRA) Compliant:

This product complies with the 52.225-21 "Required Use of American Iron, Steel, and Manufactured Goods-- Buy American Act-- Construction Materials (October 2010)

Trade Agreements Act Compliant:

This product is a COTS item manufactured in the United States, and is compliant with the Trade Agreements Act.

GSA Schedule:

This product is suitable for listing on the GSA Schedule of the US General Services in accordance with FAR Subpart 25.4

