



# WP1CSN35/PCS



JOB NAME: \_\_\_\_\_  
 DATE: \_\_\_\_\_  
 TYPE: \_\_\_\_\_

## DESCRIPTION

Cutoff Wallpack. Lens is flat with tempered glass. Lamp supplied.

## SPECIFICATIONS

### Finish:

Chip and fade resistant polyester powder coating.

### Housing:

Die cast aluminum, 1/2" NPS tapped top, both sides and back for conduit or photocontrol. Hinged refractor. Continuous one piece silicone rubber gasket.

### Reflector:

Semi-Specular anodized aluminum, removable for installation. Symmetrical light pattern maximizes distance between fixtures.

### UL Listing:

Suitable for wet locations. HID fixtures can be wired with 90° C supply wiring if supply wires are routed 3" away from the ballast.

### Patents:

Pat. D440,683

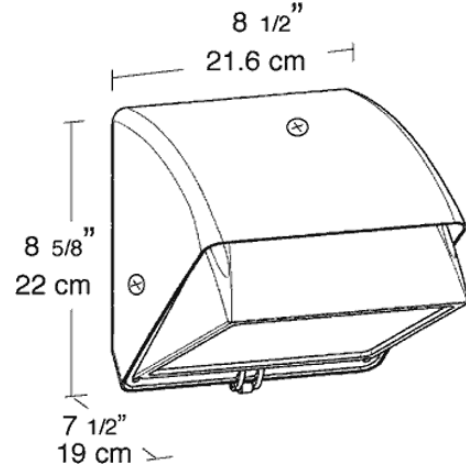
### Color:

Bronze

### Weight:

6.37

## DIMENSIONS



## ORDERING INFORMATION

**High Pressure Sodium**  
Lamp supplied with fixture

Total Watts	Lamp Type	Lamp Base	Ballast
35	ED17	Medium	R-NPF 120V

Starting Amps/ Operating Amps			
120V	208V	240V	277V
1.4	0.9		

Input Watts	LAMP ANSI	Initial Lumens	Lamp Hours
46	S76	2250	24000

**Factory Installed Options**  
Add suffix to Catalog Number

Tamperproof screws (/TP)  
Swivel Photocontrol (/PCS)  
Single fusing for 120 and 277 volt (/F)

Button Photocontrol wired for 208 - 277 volt (/PC2)  
Button Photocontrol (/PC)

Note: Specifications may change without notice