



WP1CF32/PC2



JOB NAME: _____
 DATE: _____
 TYPE: _____

DESCRIPTION

Cutoff Wallpack. Lens is flat with tempered glass. Lamp supplied.

SPECIFICATIONS

Finish:

Chip and fade resistant polyester powder coating.

Housing:

Die cast aluminum, 1/2" NPS tapped top, both sides and back for conduit or photocontrol. Hinged refractor. Continuous one piece silicone rubber gasket.

Reflector:

Semi-Specular anodized aluminum, removable for installation. Symmetrical light pattern maximizes distance between fixtures.

Conduit Openings:

Top, side and back

UL Listing:

Suitable for wet locations. HID fixtures can be wired with 90° C supply wiring if supply wires are routed 3" away from the ballast.

Patents:

Pat. D440,683

Photocontrol:

/PC2 = 277V

Template:

Drilling template for easy wall box mounting

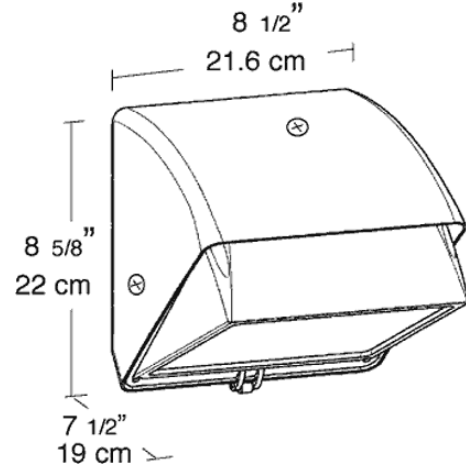
Color:

Bronze

Weight:

5.67

DIMENSIONS



ORDERING INFORMATION

Compact Fluorescent
Lamp supplied with fixture

| Total Watts | Lamp Type | Lamp Base | Ballast |
|-------------|------------|-----------|-------------|
| 32 | 32w Triple | GX24q-3 | Elec HPF QT |

| Starting Amps/ Operating Amps | | | |
|-------------------------------|------|------|------|
| 120V | 208V | 240V | 277V |
| 0.31 | 0.2 | 0.2 | 0.13 |

| Input Watts | LAMP ANSI Lumens | Initial Lamp Hours |
|-------------|------------------|--------------------|
| 32 | 2400 | 12000 |

Factory Installed Options
Add suffix to Catalog Number

- Tamperproof screws (/TP)
- Swivel Photocontrol (/PCS)
- Single fusing for 120 and 277 volt (/F)

- Button Photocontrol wired for 208 - 277 volt (/PC2)
- Button Photocontrol (/PC)

Note: Specifications may change without notice