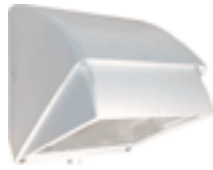




WP1CF32W/PC2



JOB NAME: _____
 DATE: _____
 TYPE: _____

DESCRIPTION

Cutoff Wallpack. Lens is flat with tempered glass. Lamp supplied.

SPECIFICATIONS

Finish:

Chip and fade resistant polyester powder coating.

Housing:

Die cast aluminum, 1/2" NPS tapped top, both sides and back for conduit or photocontrol. Hinged refractor. Continuous one piece silicone rubber gasket.

Reflector:

Semi-Specular anodized aluminum, removable for installation. Symmetrical light pattern maximizes distance between fixtures.

Conduit Openings:

Top, side and back

UL Listing:

Suitable for wet locations. HID fixtures can be wired with 90° C supply wiring if supply wires are routed 3" away from the ballast.

Patents:

Pat. D440,683

Photocontrol:

/PC2 = 277V

Template:

Drilling template for easy wall box mounting

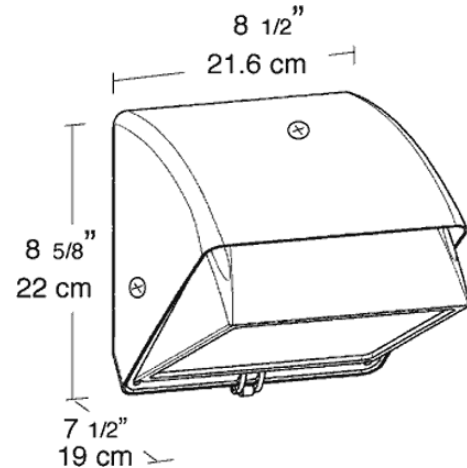
Color:

White

Weight:

5.67

DIMENSIONS



ORDERING INFORMATION

Compact Fluorescent
Lamp supplied with fixture

Total Watts	Lamp Type	Lamp Base	Ballast
32	32w Triple	GX24q-3	Elec HPF QT

Starting Amps/ Operating Amps			
120V	208V	240V	277V
0.31	0.2	0.2	0.13

Input Watts	LAMP ANSI Lumens	Initial Hours
32	2400	12000

Factory Installed Options
Add suffix to Catalog Number

- Tamperproof screws (/TP)
- Swivel Photocontrol (/PCS)
- Single fusing for 120 and 277 volt (/F)

- Button Photocontrol wired for 208 - 277 volt (/PC2)
- Button Photocontrol (/PC)

Note: Specifications may change without notice