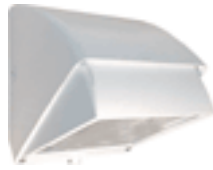




# WP1CF32W



JOB NAME: \_\_\_\_\_  
 DATE: \_\_\_\_\_  
 TYPE: \_\_\_\_\_

## DESCRIPTION

Cutoff Wallpack. Lens is flat with tempered glass. Lamp supplied.

## SPECIFICATIONS

### Finish:

Chip and fade resistant polyester powder coating.

### Housing:

Die cast aluminum, 1/2" NPS tapped top, both sides and back for conduit or photocontrol. Hinged refractor. Continuous one piece silicone rubber gasket.

### Reflector:

Semi-Specular anodized aluminum, removable for installation. Symmetrical light pattern maximizes distance between fixtures.

### UL Listing:

Suitable for wet locations. HID fixtures can be wired with 90° C supply wiring if supply wires are routed 3" away from the ballast.

### Conduit Openings:

Top, side and back

### Patents:

Pat. D440,683

### Template:

Drilling template for easy wall box mounting

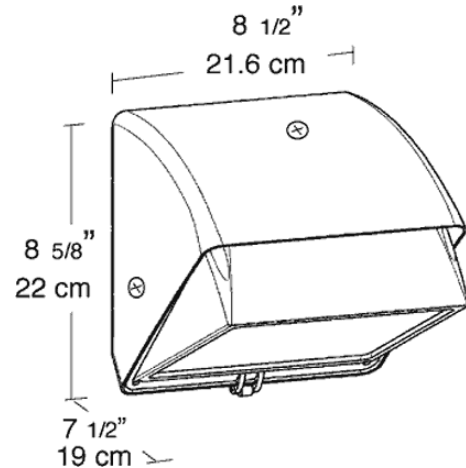
### Color:

White

### Weight:

5.67

## DIMENSIONS



## ORDERING INFORMATION

| Compact Fluorescent<br>Lamp supplied with fixture                | Total<br>Watts | Lamp<br>Type | Lamp<br>Base | Ballast                                 | Starting Amps/ Operating Amps |      |      |      | Input<br>Watts | LAMP<br>ANSI | Initial<br>Lumens | Lamp<br>Hours                                       |
|------------------------------------------------------------------|----------------|--------------|--------------|-----------------------------------------|-------------------------------|------|------|------|----------------|--------------|-------------------|-----------------------------------------------------|
|                                                                  |                |              |              |                                         | 120V                          | 208V | 240V | 277V |                |              |                   |                                                     |
|                                                                  | 32             | 32w          | GX24q-3      | Elec HPF QT                             | 0.31                          | 0.2  | 0.2  | 0.13 | 32             |              | 2400              | 12000                                               |
| <b>Factory Installed Options</b><br>Add suffix to Catalog Number |                |              |              |                                         |                               |      |      |      |                |              |                   |                                                     |
|                                                                  |                |              |              | Tamperproof screws (/TP)                |                               |      |      |      |                |              |                   | Button Photocontrol wired for 208 - 277 volt (/PC2) |
|                                                                  |                |              |              | Swivel Photocontrol (/PCS)              |                               |      |      |      |                |              |                   | Button Photocontrol (/PC)                           |
|                                                                  |                |              |              | Single fusing for 120 and 277 volt (/F) |                               |      |      |      |                |              |                   |                                                     |

Note: Specifications may change without notice