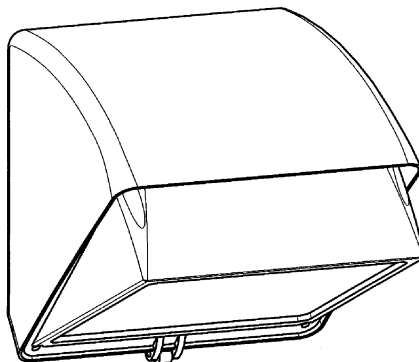


RAB

WP1C INSTALLATION INSTRUCTIONS



Thank you for buying RAB lighting fixtures. Our aim is to design the best quality products so you can get the job done right. We'd like to hear your comments. Call us at 888 RAB-1000, attention Marketing Department.

IMPORTANT

READ CAREFULLY BEFORE INSTALLING FIXTURE. RETAIN INSTRUCTIONS FOR FUTURE REFERENCE.

RAB Wallpacks must be wired in accordance with the National Electrical Code and applicable local codes. Proper grounding is required for safety. Wallpacks are for outdoor use and should not be used in areas with limited ventilation or high-ambient temperatures. Installation should be done by a qualified electrician.

WARNING: *Make certain power is OFF before installing or maintaining fixture.*

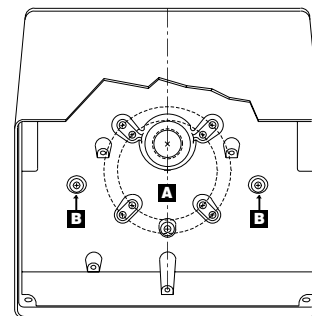
LOCATION

Fixture should be located on wall, but should not be recessed. Fixture must be positioned with lamp in horizontal position.

MOUNTING

Use the drilling template on the inside back surface of the wallpack to match most standard recessed junction boxes (see "A") or for more secure installation, lag bolt backplate to mounting surface using points "B".

1. Remove the lens and reflector.
2. Prepare the backplate for use by drilling the appropriate holes.
3. Line up the backplate in desired location and mount securely.
4. Complete the wiring to the power source and ground (see wiring instructions).
5. Replace the reflector, install the lamp and mount the lens.
6. To insure weatherproof seal make sure all holes (mounting, plugs, conduit, etc.) are sealed with weatherproof silicone sealant.

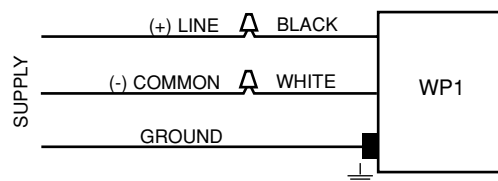


WIRING

IF SUPPLY WIRES ARE LOCATED WITHIN (3) INCHES OF BALLAST, USE WIRE RATED FOR AT LEAST 125°C.
IF SUPPLY WIRES ARE ROUTED AND SECURED MIN (3) INCHES AWAY FROM BALLAST, USE WIRE RATED FOR AT LEAST 90°C.

1. Connect the 120 or 277 volt ballast lead to the black supply lead.
2. Connect the common ballast to white supply lead.
3. Connect supply ground wire to fixture ground screw.

(over)



RAB

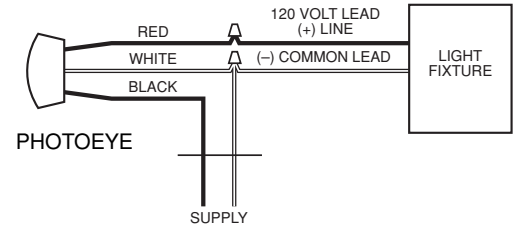
WP1C INSTALLATION INSTRUCTIONS

(continued)

PHOTOEYE INSTALLATION

A photoeye control may be installed in the field.

1. Remove lens and reflector
2. Remove close up plug on top of fixture.
3. Install Photoeye per diagram.



RE-LAMPING

CAUTION: Be sure fixture temperature is cool enough to touch. Prior to installing, check that the lamp is of proper type and wattage. Observe lamp manufacturer's recommendations on lamp operation, ballast type and burning positions.

1. Loosen screws holding refractor.
2. Remove refractor and install lamp.
3. Close refractor and re-install screws.

REPLACEMENT LAMPS:

METAL HALIDE			HIGH PRESSURE SODIUM			FLUORESCENT	
Wattage	Catalog #	ANSI Code	Wattage	Catalog #	ANSI Code	Wattage	Catalog #
50	LMH50	M110	35	LHPS35	S76	42	LCFL42
70	LMH70	M98	50	LHPS50	S68		
100	LMH100	M90	70	LHPS70	S62		
150	LMH150	M107	100	LHPS100	S54		
			150	LHPS150	S55		

CLEANING

CAUTION: Be sure fixture temperature is cool enough to touch. Be sure power is off.

Clean reflector and refractor with a cloth moistened with non abrasive glass cleaning solution.

TROUBLESHOOTING CHECKLIST

- 1. Proper lamp is installed; lamp is not faulty.
- 2. Line voltage at the fixture is proper.
- 3. Fixture is wired properly.
- 4. Fixture is grounded properly.

THESE INSTRUCTIONS **DO NOT** COVER ALL DETAILS OR VARIATIONS IN EQUIPMENT, NOR DO THEY PROVIDE FOR EVERY POSSIBLE CONTINGENCY TO BE MET IN CONNECTION WITH INSTALLATION, OPERATION OR MAINTENANCE.

EASY INSTALLATION & PRODUCT HELP

Toll Free Phone

Call our friendly experts.
8AM - 6PM ET Mon. - Fri.
888 RAB-1000

Toll Free Fax

Send faxes to RAB
24 hours/day.
888 RAB-1232

Fax on Demand

Faxed information,
24 hours/day.
888 RAB-1236

E-mail

Questions and requests
answered promptly
tech@rabweb.com

www.rabweb.com

Visit our internet site for
product information



RAB Electric Manufacturing Inc.
170 Ludlow Avenue Northvale, New Jersey 07647 U.S.A.