



WPTGSH70QT/PC

JOB NAME: _____
DATE: _____
TYPE: _____

DESCRIPTION

Heavy duty die cast aluminum housing with prismatic glass refractor. With 1/2" bottom and back conduit knockout. Factory installed photocontrol optional. Lamp supplied.

SPECIFICATIONS

Back Plate:

Heavy die cast aluminum. 1/2" bottom conduit knockout. Knockouts for mounting to 3" or 4" junction boxes

Ballast Housing:

Stamped steel painted white

Reflector:

Die formed aluminum for wide light distribution

UL Listing:

Suitable for wet locations

Housing:

Heavy duty cast aluminum housing

Patents:

The unique RAB Tallpack is protected by U.S. Patent D569,029; China Patent ZL200730149211.2; Taiwan Patent D124,864 and Canada Patent D121,993.

Photocontrol:

Photocontrol 120 volt

Quad Tap:

Fixture works with 120, 208, 240, and 277 volts

Refractor:

Heavy prismatic glass refractor

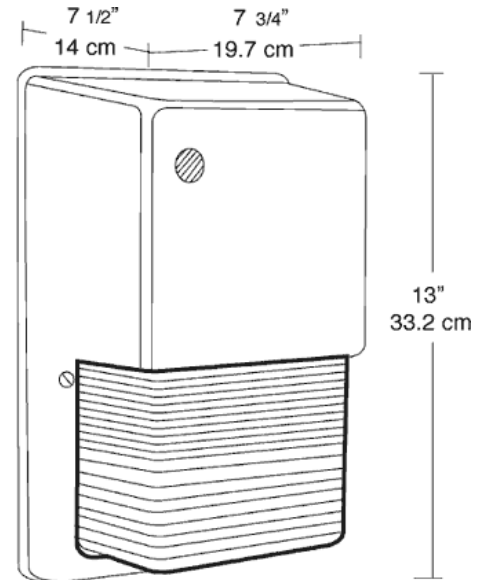
Color:

Bronze

Weight:

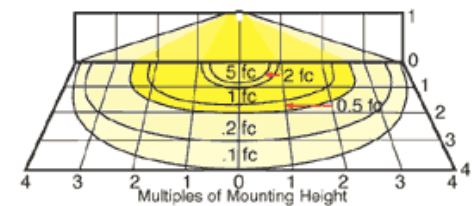
11.95

DIMENSIONS



PHOTOMETRIC

70w HPS @ 10' Mounting Height



Mounting Height	Multiplier	HPS		CFL	
		Watts	Multiplier	Watts	Multiplier
8'	1.6	100	1.5	22	.2
10'	1.0	70	1.0	42	.5
12'	.7	50	.6		
16'	.4	35	.4		
20'	.25				
MH					
Watts Multiplier		100	1.4		

ORDERING INFORMATION

High Pressure Sodium
Lamp supplied with fixture

Total Watts	Lamp Type	Lamp Base	Ballast
70	ED17	Medium	HX-HPF QT

Starting Amps/ Operating Amps			
120V	208V	240V	277V
.8/.9	.5/.5	.4/.4	.4/.4

Input Watts	LAMP ANSI	Initial Lumens	Lamp Hours
91	S62	6300	24000

Factory Installed Options
Add suffix to Catalog Number

Tamperproof screws (/TP)
Swivel Photocontrol (/PCS)
Single fusing for 120 and 277 volt (/F)

Double fusing for 208 and 240 volt (/FF)
Button Photocontrol (/PC)

Note: Specifications may change without notice