



WPTF42/PC2



JOB NAME: _____
 DATE: _____
 TYPE: _____

DESCRIPTION

Compact Fluorescent Tallpack. Vandal resistant polycarbonate housing. Heavy die-cast aluminum back plate with 1/2" bottom and back conduit knockout. Factory installed photocontrol optional. Lamp supplied.

SPECIFICATIONS

Back Plate:

Heavy die cast aluminum. 1/2" bottom conduit knockout. Knockouts for mounting to 3" or 4" junction boxes

Ballast Housing:

Stamped steel painted white

Reflector:

Die formed aluminum for wide light distribution

UL Listing:

Suitable for wet locations

Ballast Minimum Starting Temperature:

-22

Housing:

Vandal resistant polycarbonate housing

Photocontrol:

/PC2 = 277V

Patents:

The unique RAB Tallpack is protected by U.S. Patent D569,029; China Patent ZL200730149211.2; Taiwan Patent D124,864 and Canada Patent D121,993.

Refractor:

Prismatic polycarbonate refractor for wide light distribution

Socket:

GX24q-4

Voltage:

277 volt

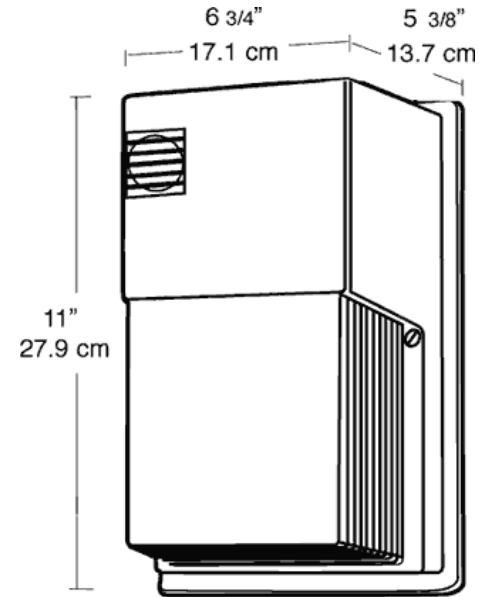
Color:

Bronze

Weight:

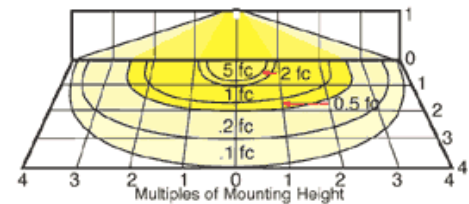
4.5

DIMENSIONS



PHOTOMETRIC

70w HPS @ 10' Mounting Height



| Mounting Height | Multiplier | HPS | | CFL | |
|-----------------|------------|-------|------------|------------------|------------|
| | | Watts | Multiplier | Watts | Multiplier |
| 8' | 1.6 | 100 | 1.5 | 22 | .2 |
| 10' | 1.0 | 70 | 1.0 | 42 | .5 |
| 12' | .7 | 50 | .6 | | |
| 16' | .4 | 35 | .4 | | |
| 20' | .25 | | | | |
| | | MH | | Watts Multiplier | |
| | | 100 | 1.4 | | |

ORDERING INFORMATION

Compact Fluorescent
Lamp supplied with fixture

| Total Watts | Lamp Type | Lamp Base | Ballast |
|-------------|-----------|----------------|-------------|
| 42 | 42W | GX24q-4 Triple | Elec HPF QT |

| Starting Amps/ Operating Amps | | | |
|-------------------------------|------|------|------|
| 120V | 208V | 240V | 277V |
| 0.38 | 0.3 | 0.2 | 0.17 |

| Input Watts | LAMP ANSI | Initial Lumens | Lamp Hours |
|-------------|-----------|----------------|------------|
| 46 | 0 | 3000 | 10000 |

Factory Installed Options
Add suffix to Catalog Number

Tamperproof screws (/TP)
Swivel Photocontrol (/PCS)
Single fusing for 120 and 277 volt (/F)

Double fusing for 208 and 240 volt (/FF)
Button Photocontrol (/PC)

Note: Specifications may change without notice