

# WPTF26W

JOB NAME: \_\_\_\_\_

DATE: \_\_\_\_\_

TYPE: \_\_\_\_\_

## DESCRIPTION

Compact Fluorescent Tallpack. Vandal resistant polycarbonate housing. Heavy die-cast aluminum back plate with 1/2" bottom and back conduit knockout. Factory installed photocontrol optional. Lamp supplied.

## SPECIFICATIONS

### Back Plate:

Heavy die cast aluminum. 1/2" bottom conduit knockout. Knockouts for mounting to 3" or 4" junction boxes

### Ballast Housing:

Stamped steel painted white

### Reflector:

Die formed aluminum for wide light distribution

### UL Listing:

Suitable for wet locations

**Ballast Minimum Starting Temperature:**  
0

### Housing:

Vandal resistant polycarbonate housing

### Patents:

The unique RAB Tallpack is protected by U.S. Patent D569,029; China Patent ZL200730149211.2; Taiwan Patent D124,864 and Canada Patent D121,993

### Refractor:

Prismatic polycarbonate refractor for wide light distribution

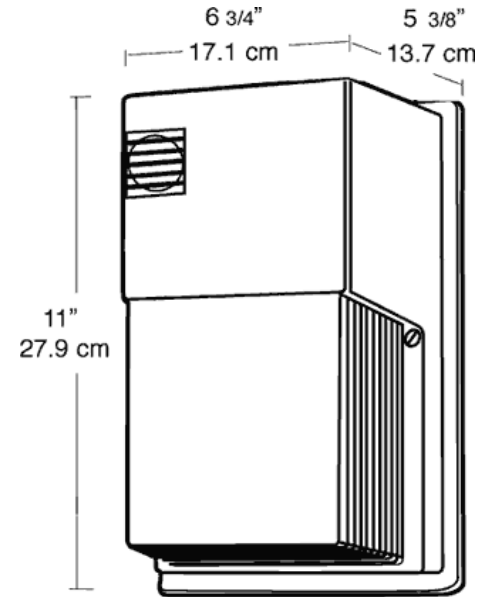
### Color:

White

### Weight:

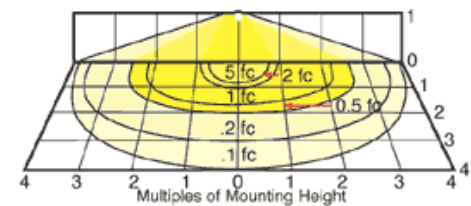
4.5

## DIMENSIONS



## PHOTOMETRIC

70w HPS @ 10' Mounting Height



Mounting Height	Multiplier	HPS		CFL	
		Watts	Multiplier	Watts	Multiplier
8'	1.6	100	1.5	22	.2
10'	1.0	70	1.0	42	.5
12'	.7	50	.6		
16'	.4	35	.4		
20'	.25				
		<b>MH</b>			
		Watts	Multiplier		
		100	1.4		

## ORDERING INFORMATION

**Compact Fluorescent**  
Lamp supplied with fixture

Total Watts	Lamp Type	Lamp Base	Ballast
26	26W	GX24q-3 Triple	Elec HPF QT

Starting Amps/ Operating Amps			
120V	208V	240V	277V
0.24	0.2	0.18	0.11

Input Watts	LAMP ANSI	Initial Lumens	Lamp Hours
29		1800	12000

**Factory Installed Options**  
Add suffix to Catalog Number

Tamperproof screws (/TP)  
Swivel Photocontrol (/PCS)  
Single fusing for 120 and 277 volt (/F)

Double fusing for 208 and 240 volt (/FF)  
Button Photocontrol (/PC)

Note: Specifications may change without notice