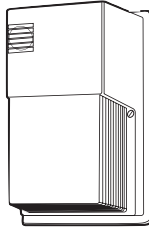


### Installation Instructions



Thank you for buying RAB lighting fixtures. Our aim is to design the best quality products so you can get the job done right. We'd like to hear your comments. Call us at 888-RAB-1000, attention Marketing Department.

#### IMPORTANT

**READ CAREFULLY BEFORE INSTALLING FIXTURE. RETAIN INSTRUCTIONS FOR FUTURE REFERENCE.**

RAB Tallpack fixtures must be wired in accordance with the National Electrical Code and applicable local codes. Proper grounding is required for safety.

Tallpack fixtures are for outdoor use and should not be used in areas with limited ventilation or high ambient temperatures. Installation should be done by a qualified electrician.

**USE SUPPLY WIRE RATED FOR 90°. WARNING: RISK OF FIRE. MOST DWELLINGS BUILT BEFORE 1985 HAVE SUPPLY WIRE RATED FOR 60°. CONSULT AN ELECTRICIAN BEFORE INSTALLING.**

Warning: Make certain power is OFF before installing or maintaining fixture.

#### LOCATION

Fixtures should not be recessed and is for wall mount only. Fixture must be positioned with lamp in vertical position with lampholder base up.

#### MOUNTING

1. Loosen 2 screws from both sides of the front refractor.
2. Remove front refractor.
3. Remove refractor by loosening screws just enough to allow reflector to slide upward until keyhole in reflector releases screws.

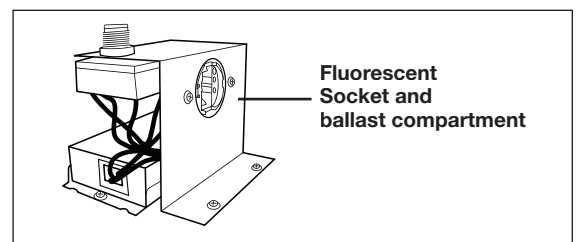
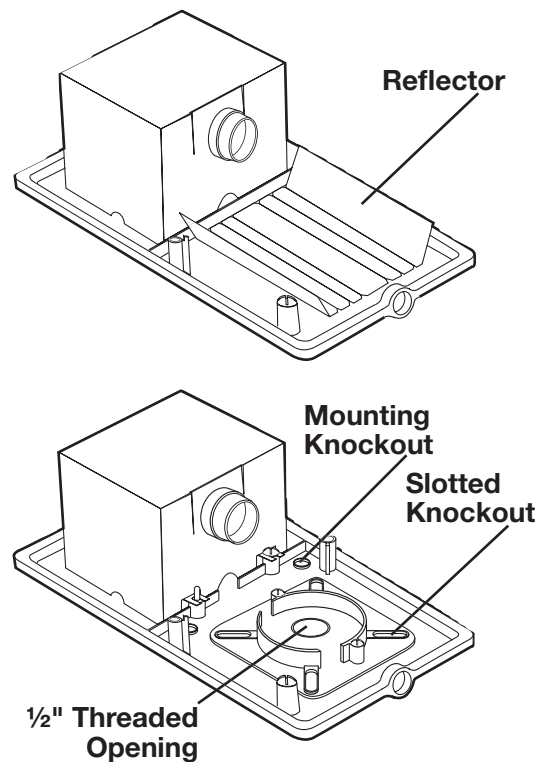
##### Standard Box Mounting:

1. Remove center 1/2" Plug to route wires.
2. For 3 1/2" or 4" round box or 4" square box, knockout 2 or 4 slotted openings in rear housing for screw attachment to box (screws not provided).
3. Use gasket supplied. It is also advised to use weatherproof silicone sealant to prevent entry of moisture into fixture.

##### Odd-sized Box Mounting:

1. Remove center 1/2" Plug to route wires.
2. Knockout 2 mounting holes in housing.
3. Mount with 2 lag screws (not provided) which will penetrate at least 3/4" of wood or similar solid surface.
4. Use weatherproof silicone sealant when mounting fixture to outlet box and mounting surface to prevent entry of moisture into fixture.

**Bottom Conduit Mounting: See Back**



## TALLPACK INSTALLATION INSTRUCTIONS

### MOUNTING

(continued)

Bottom Conduit Mounting:

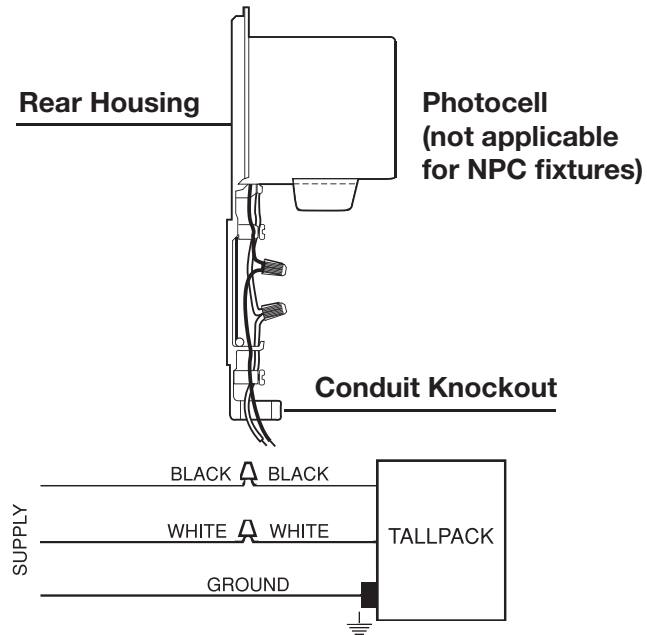
1. With front housing and reflector off, knockout the bottom conduit hole in the rear housing.
2. Pull service wires through the conduit opening and make connection as indicated under Wiring section.
3. Replace the reflector and refractor cover.
4. Attach to wall box per "Odd-sized Box Mounting", instructions #2 & 3 on previous page.

### WIRING

Use supply wire rated for 90°C.

Caution: Check that voltage is compatible with fixture ballast.

1. Connect the black fixture lead to the black supply lead.
2. Connect the white fixture lead to the white supply lead.
3. Connect supply ground wire to fixture ground screw.



### RE-LAMPING

Caution: Prior to installing, check that the lamp is of the proper type and wattage. Observe lamp manufacturers recommendations on lamp operation, ballast type and burning positions. Disconnect power. Make sure fixture and lamp are cool enough to touch.

1. Remove front refractor following instructions under Mounting section.
2. Remove old lamp.
3. Place lamp into lamp socket securely until it is firmly seated.
4. Replace front refractor.

### REPLACEMENT LAMPS

High Pressure Sodium		ANSI
Wattage	Catalog #	Code
35	LHPS35	S76
50	LHPS50	S68
70	LHPS70	S62

Fluorescent	
Wattage	Catalog #
28	LCFL28
42	LCFL42

### CLEANING

**Caution:** Be sure fixture is cool enough to touch. Be sure power is off.

Clean reflector and refractor with a cloth moistened with non abrasive, non flammable glass cleaning solution.

### TROUBLE SHOOTING CHECKLIST

Check that:

1. Proper lamp is installed. Lamp is not faulty.
2. Line voltage at the fixture is proper.
3. Fixture is wired properly.
4. Fixture is grounded properly.

### EASY INSTALLATION & PRODUCT HELP

**Fax Back**  
888-RAB-1236

**Tech Help Line**  
8AM – 5PM ET Mon. – Fri.  
888-RAB-1000

**Website**  
www.rabweb.com

**e-mail**  
sales@rabweb.com

THESE INSTRUCTIONS DO NOT COVER ALL DETAILS OR VARIATIONS IN EQUIPMENT, NOR DO THEY PROVIDE FOR EVERY POSSIBLE CONTINGENCY TO BE MET IN CONNECTION WITH INSTALLATION, OPERATION OR MAINTENANCE.

©2005 RAB Lighting, Inc.