



High performance LED tallpack. Covers footprint of most HID Tallpacks. Vandal resistant lens. Precision die-cast aluminum. 0-10V dimmable driver with 120-277V photocell. Includes built in support for Lightcloud, a wireless lighting control system and service, fully developed by RAB.

Color: Bronze

Weight: 8.5 lbs

<b>Project:</b>	<b>Type:</b>
<b>Prepared By:</b>	<b>Date:</b>

Driver Info		LED Info	
Type:	Constant Current	Watts:	12W
120V:	0.108A	Color Temp:	5000K (Cool)
208V:	0.068A	Color Accuracy:	74 CRI
240V:	0.059A	L70 Lifespan:	100000
277V:	0.053A	Lumens:	1371
Input Watts:	13W	Efficacy:	102 LPW
Efficiency:	89%		

## Technical Specifications

### Lightcloud

#### Lightcloud Controller Installed:

Fixture, Zone, and plug-load control from one powerful device. Capable of switching, 0-10V dimming, power monitoring. Can also be used to extend the range of the Lightcloud mesh network. Attach to fixture, junction box, or electrical panel.

### Listings

#### UL Listing:

Suitable for wet locations. Wall mount only.

#### IESNA LM-79 & LM-80 Testing:

RAB LED luminaires and LED components have been tested by an independent laboratory in accordance with IESNA LM-79 and LM-80.

### LED Characteristics

#### Lifespan:

100,000-hour LED lifespan based on IES LM-80 results and TM-21 calculations

#### LEDs:

Long-life, high-efficacy surface mount LEDs

#### Color Stability:

LED color temperature is warrantied to shift no more than 200K in CCT over a 5 year period

#### Color Uniformity:

RAB's range of CCT (Correlated Color Temperature) follows the guidelines of the American National Standard for Specifications for the Chromaticity of Solid State Lighting (SSL) Products, ANSI C78.377-2017.

### Electrical

#### Drivers:

Constant Current, Class 2, 300mA, 100-277V, 50-60Hz, 120V: 0.108A, 208V: 0.068A, 240V: 0.059A, 277V: 0.053A, Surge Protection: 6kV

#### Power Factor:

98.6% at 120V, 90.8% at 277V

#### THD:

13.6% at 120V, 14.4% at 277V

#### Dimming Driver:

0-10V dimming driver standard for ultimate flexibility. Use as on/off or utilize the 0-10V DC dimming circuit for controls.

#### Photocell:

Photocell is rated for 120V thru 277V. To disable, simply use the provide silicone rubber cap and cover.

### Optical

#### BUG Rating:

B0 U3 G2

### Construction

#### Ambient Temperature:

Suitable for -40°C (-40°F) to 40°C (104°F) ambient temperatures

#### Cold Weather Starting:

Minimum starting temperature is -40°C (-40°F)

#### Thermal Management:

Superior thermal management with die-cast aluminum heatsink

#### Housing:

Precision die-cast aluminum

#### Refractor Lens:

High-impact, diffuse, UV-stabilized polycarbonate

#### Mounting:

Three (3) 1/2" NPS conduit entry points (2 sides for through-feed, and bottom), and drilling template for easy wall box mounting

#### Reflector:

High-gloss white aluminum

#### Gaskets:

High-temperature silicone gaskets

#### Finish:

Formulated for high-durability and long lasting color

#### Green Technology:

Mercury and UV-free. RoHS compliant components. Polyester powder coat finish formulated without the use of VOCs or toxic heavy metals.

### Other

#### Equivalency:

Equivalent to 50W Metal Halide/35W HPS

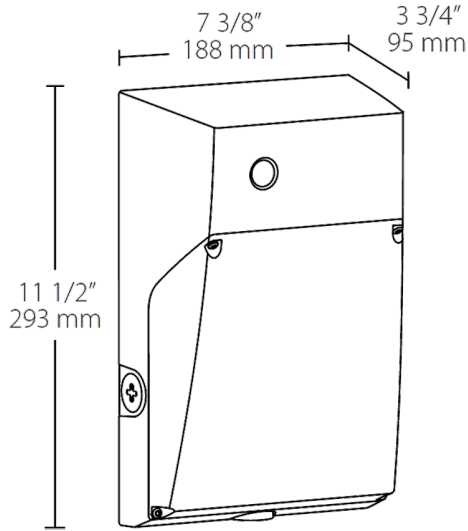
#### Warranty:

RAB warrants that our LED products will be free from defects in materials and workmanship for a period of five (5) years from the date of delivery to the end user, including coverage of light output, color stability, driver performance and fixture finish. RAB's warranty is subject to all terms and conditions found at

#### Patents:

The design of WPTLED is protected by patents pending in US, Canada, China, Taiwan and Mexico

## Dimensions



## Features

- Covers footprints of most HID tallpacks
- 0-10V dimmable driver & 120 - 277V photocell
- Vandal-resistant lens
- 100,000-Hour LED lifespan
- Built in support Lightcloud™
- Easy setup - simply power on, confirm device connectivity and call 844-LIGHTCLOUD

## Ordering Matrix

Family	Wattage	Color Temp	Finish	Dimming	Photocell	Lightcloud	Other Options
WPTLED	12	^	^	/D10	/PC2	/LC	^
40 = 40W		Blank = 5000K (Cool)	Blank = Bronze	/D10 = Dimmable	/PC2 = 120-277V Photocell	Blank = No Lightcloud	USA = BAA Compliant
25 = 25W		Y = 3000K (Warm)	W = White			/LC = Lightcloud Controller	Blank = Standard
12 = 12W		N = 4000K (Neutral)					