



# WPLED10SYW



JOB NAME: \_\_\_\_\_  
 DATE: \_\_\_\_\_  
 TYPE: \_\_\_\_\_

## DESCRIPTION

LED 10 Watt Wallpacks

## SPECIFICATIONS

### Dark Sky Approved:

The International Dark Sky Association has approved this product as a full cutoff, fully shielded luminaire.

### Finish:

Chip and fade resistant polyester powder coat finish.

### For use on LEED Buildings:

IDA Dark Sky Approval means that this fixture can be used to achieve LEED Credits for Light Pollution Reduction.

### Gaskets:

High Temperature Silicone

### IESNA LM-79:

RAB LED luminaires comply with the IESNA LM-79 testing procedure, which measures performance qualities of LED luminaires to allow for a true comparison of luminaires regardless of the light source.

### Patents:

The design of the LPACK is protected by U.S. Pat. D604,004 and patents pending in Canada, China and Taiwan.

### UL Listing:

Suitable for wet locations. Suitable for mounting within 4' of the ground.

### Warranty:

RAB LED fixtures give you peace of mind because both the fixture and light engine components are backed by RAB's 5 Year Warranty. For more information,

### California Title 24:

LPACK complies with California Title 24 building and electrical codes.

### Color Accuracy:

45 CRI

### Driver Reliability:

MIL Spec 217F results based on UL certified testing lab results in 122F ambient temperatures indicate mean time between failures of greater than 200,000 hrs

### Fixture Efficacy:

41 Lumens per Watt

### Green Technology:

RAB LEDs are Mercury and UV free.

### Heatsink:

Cast aluminum thermal management system for optimal heat sinking. The LPACK is designed for cool operation, most efficient output and maximum LED life by minimizing LED junction temperature.

### Housing:

Precision die cast aluminum housing, lens frame.

### IESNA LM-79 & IESNA LM-80 Testing:

RAB LED luminaires have been tested by an independent laboratory in accordance with IESNA LM-79 and 80, and have received the Department of Energy "Lighting Facts" label.

### LED Light Engine:

Multi-chip 10W high output long life LED Driver: Constant Current, Class II, 120V-240V, 50/60 Hz, 350mA

### Light Color:

2905 K (Warm White)

### Lumen Maintenance:

The LED will deliver 70% of its initial lumens at 50,000 hours of operation.

### Mounting:

Junction box and surface mount.

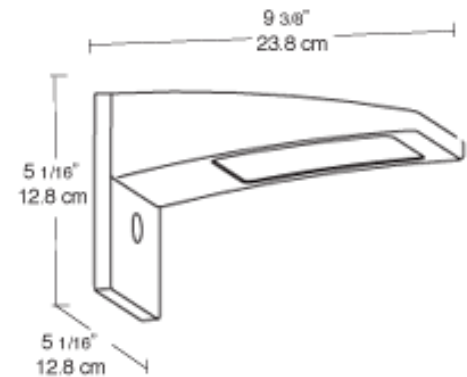
### Color:

White

### Weight:

3.5

## DIMENSIONS



## ORDERING INFORMATION

LED	Total Watts	Lamp Type	Lamp Base	Ballast	Starting Amps/ Operating Amps				Input Watts	LAMP ANSI	Initial Lumens	Lamp Hours
					120V	208V	240V	277V				
Lamp supplied with fixture	10	Light Emitting Diode	Thermal (HPS)	Constant Current	.43 A/.43 A	.43 A/.43 A	.43 A/.43 A	N/A	13	N/A	542	50000
<b>Factory Installed Options</b> Add suffix to Catalog Number					Photocontrol for 277V (P/PC)							
					Photocontrol for 120V (/PC)							

Note: Specifications may change without notice