



LED 104W Wallpacks. 3 cutoff options. Patent Pending thermal management system. 100,000 hour L70 lifespan. 5 Year Warranty.

Color: White

Weight: 26.0 lbs

|                     |              |
|---------------------|--------------|
| <b>Project:</b>     | <b>Type:</b> |
| <b>Prepared By:</b> | <b>Date:</b> |

| Driver Info  |                  | LED Info        |                 |
|--------------|------------------|-----------------|-----------------|
| Type:        | Constant Current | Watts:          | 104W            |
| 120V:        | N/A              | Color Temp:     | 4000K (Neutral) |
| 208V:        | 0.59A            | Color Accuracy: | 82 CRI          |
| 240V:        | 0.51A            | L70 Lifespan:   | 100,000         |
| 277V:        | 0.44A            | Lumens:         | 9,840           |
| Input Watts: | 107W             | Efficacy:       | 92 LPW          |
| Efficiency:  | 97%              |                 |                 |

## Technical Specifications

### Other

#### WPLEDFC104 with Photocell:

277V Swivel Photocell Included. Photocell is compatible with 208V-277V.

#### Equivalency:

The WPLEDFC104 is Equivalent in delivered lumens to a 400W Metal Halide Wallpack.

#### California Title 24:

WPLEDFC104/PCS2 complies with 2013 California Title 24 building and electrical codes as a commercial outdoor pole-mounted fixture > 30 Watts mounted at height greater than 24 feet. For mounting heights < 24 feet see WPLED52/BL with bi-level operation; additional component requirements will be listed in the Title 24 section under technical specifications on the product page.

#### Patents:

The design of the WPLEDFC104 is protected by patents pending in US, Canada, China, Taiwan and Mexico.

#### Country of Origin:

Designed by RAB in New Jersey and assembled in the USA by RAB's IBEW Local 3 workers.

#### Buy American Act Compliant:

This product is a COTS item manufactured in the United States, and is compliant with the Buy American Act.

#### Recovery Act (ARRA) Compliant:

This product complies with the 52.225-21 "Required Use of American Iron, Steel, and Manufactured Goods-- Buy American Act-- Construction Materials (October 2010).

#### Trade Agreements Act Compliant:

This product is a COTS item manufactured in the United States, and is compliant with the Trade Agreements Act.

#### GSA Schedule:

Suitable in accordance with FAR Subpart 25.4.

### Warranty:

RAB warrants that our LED products will be free from defects in materials and workmanship for a period of five (5) years from the date of delivery to the end user, including coverage of light output, color stability, driver performance and fixture finish.

### Listings

#### UL Listing:

UL Suitable for Wet Locations as Uplight and Downlight Wall Mount Only.

#### Dark Sky Approved:

The International Dark Sky Association has approved this product as a full cutoff, fully shielded luminaire.

#### IESNA LM-79 & LM-80 Testing:

RAB LED Luminaires have been tested by an independent laboratory in accordance with IESNA LM-79 and LM-80, and have received the Department of Energy "Lighting Facts" label.

#### DLC Listed:

This product is on the Design Lights Consortium (DLC) Qualified Products List and is eligible for rebates from DLC Member Utilities.

### Construction

#### IP Rating:

Ingress Protection rating of IP66 for dust and water.

#### For use on LEED Buildings:

IDA Dark Sky Approval means that this fixture can be used to achieve LEED Credits for Light Pollution Reduction.

#### Cold Weather Starting:

Minimum starting temperature is -40°F / -40°C.

#### Ambient Temperature:

Suitable for use in 40°C (104°F) ambient temperatures.

### Thermal Management:

Superior thermal management with external Air-Flow fins.

### Housing:

Precision die-cast aluminum housing, door frame arm and wall bracket.

### Mounting:

Die-cast aluminum wall bracket with (5) 1/2" conduit openings with plugs. Two-piece bracket with tether for ease of installation and wiring.

### Arm:

Die-cast aluminum with wiring access plate.

### Cutoff:

Full cutoff (0°)

### Lens:

Tempered glass.

### Reflector:

Specular vacuum metallized polycarbonate.

### Gaskets:

High-temperature silicone.

## Technical Specifications (continued)

### Construction

#### Finish:

Our environmentally friendly polyester powder coatings are formulated for high-durability and long-lasting color, and contains no VOC or toxic heavy metals.

#### Green Technology:

Mercury and UV free, and RoHS compliant.

### LED Characteristics

#### LEDs:

Four multi-chip, high-output, long-life LEDs.

#### Lifespan:

100,000-hour LED lifespan based on IES LM-80 results and TM-21 calculations.

#### Color Consistency:

3-step MacAdam Ellipse binning to achieve consistent fixture-to-fixture color.

#### Color Stability:

LED color temperature is warranted to shift no more than 200K in CCT over a 5 year period.

#### Color Uniformity:

RAB's range of CCT (Correlated Color Temperature) follows the guidelines of the American National Standard for Specifications for the Chromaticity of Solid State Lighting (SSL) Products, ANSI C78.377.2011.

### Electrical

#### Driver:

Constant current, Class 1, 100-277V, 50/60 Hz, 4kV Surge Protection, 700mA, 100-277V = 0.95A, Power Factor 99.2%.

#### THD:

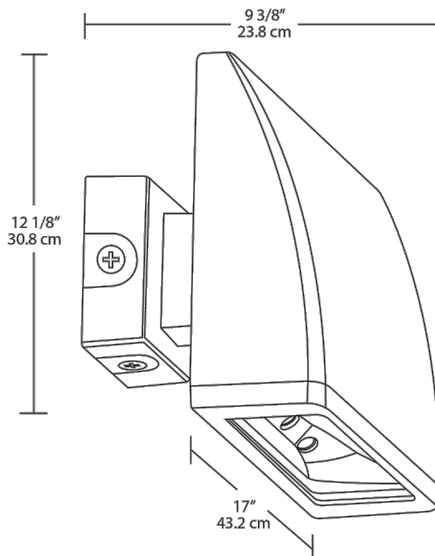
4.5% at 120V, 8.8% at 277V

### Optical

#### BUG Rating:

B2 U0 G1

## Dimensions



## Features

- High performance LED light engine
- Maintains 70% of initial lumens at 100,000 hours
- Weatherproof high temperature silicone gaskets
- Superior heat sinking with die cast aluminum housing and external fins
- Replaces 400W MH
- 100 up to 277 Volts
- 5-year warranty

## Ordering Matrix

| Family | Cutoff                                       | Watts      | Color Temp                        | Finish                | Voltage                   | Photocell   | Bi-Level                        |
|--------|--|------------|-----------------------------------|-----------------------|---------------------------|---|---------------------------------|
| WPLED  | = Standard<br>C = Cutoff<br>FC = Full Cutoff | 104 = 104W | = Cool<br>Y = Warm<br>N = Neutral | = Bronze<br>W = White | = 120-277V<br>/480 = 480V | = No Photocell<br>/PCS = 120V Swivel<br>/PCS2 = 277V Swivel | = No Bi-Level<br>/BL = Bi-Level |